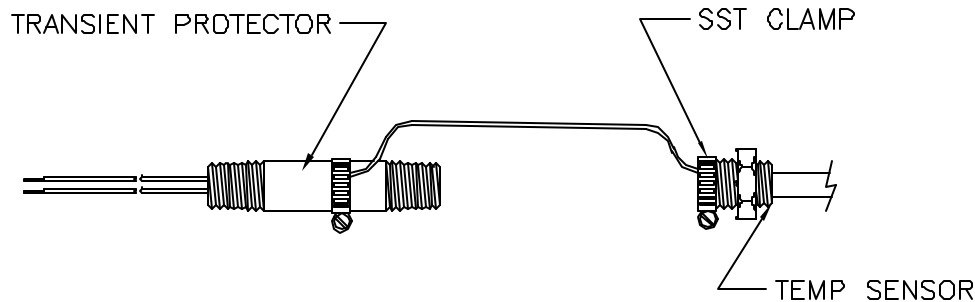
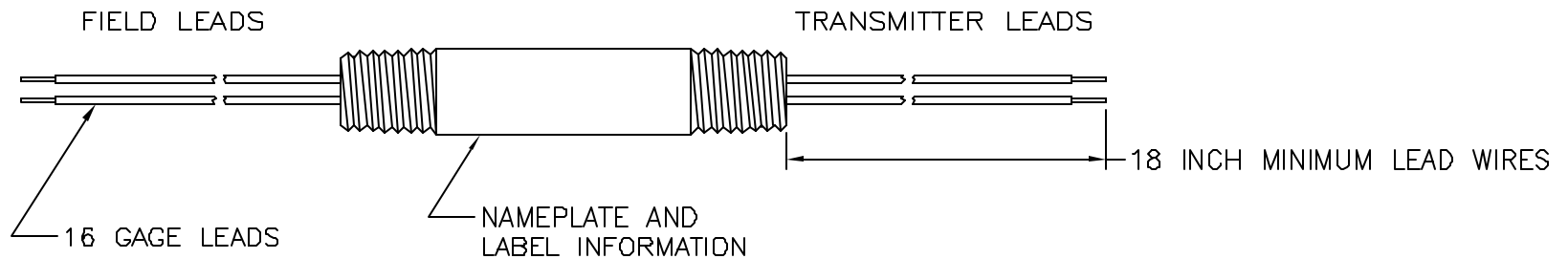



470 TRANSIENT PROTECTOR

REVISIONS				
REV	DESCRIPTION	CHG. NO.	APP'D	DATE
AA	CONVERT TO TYPE 1 DWG	RTG1018059	DB	8/6/03

DETAIL "A" - 3 1/2 INCH (MODELS 470D AND 470C) OR
5 INCH (MODELS 470L AND 470J) NIPPLE,
1/2-14 NPT STAINLESS STEEL



<p>*UNLESS OTHERWISE SPECIFIED DIMENSIONS IN INCHES (MM)</p> <p>*ALL DIMENSIONS ARE NOMINAL AND ARE FOR REFERENCE ONLY</p> 	TYPE I		ROSEMOUNT* CHANHASSEN, MINNEBOTA	
	DR JOHN ARMSTRONG	8/8/03	TITLE	
	APPROVAL		DIMENSIONAL DRAWING FOR MODEL 470 TRANSIENT PROTECTOR	
	APP DIRK BAUSCHKE	8/8/03	SIZE	DRAWING NO.
	TAGGING		A	00470-0022
SPECIALS		SCALE: NONE	SHEET 1 OF 1	