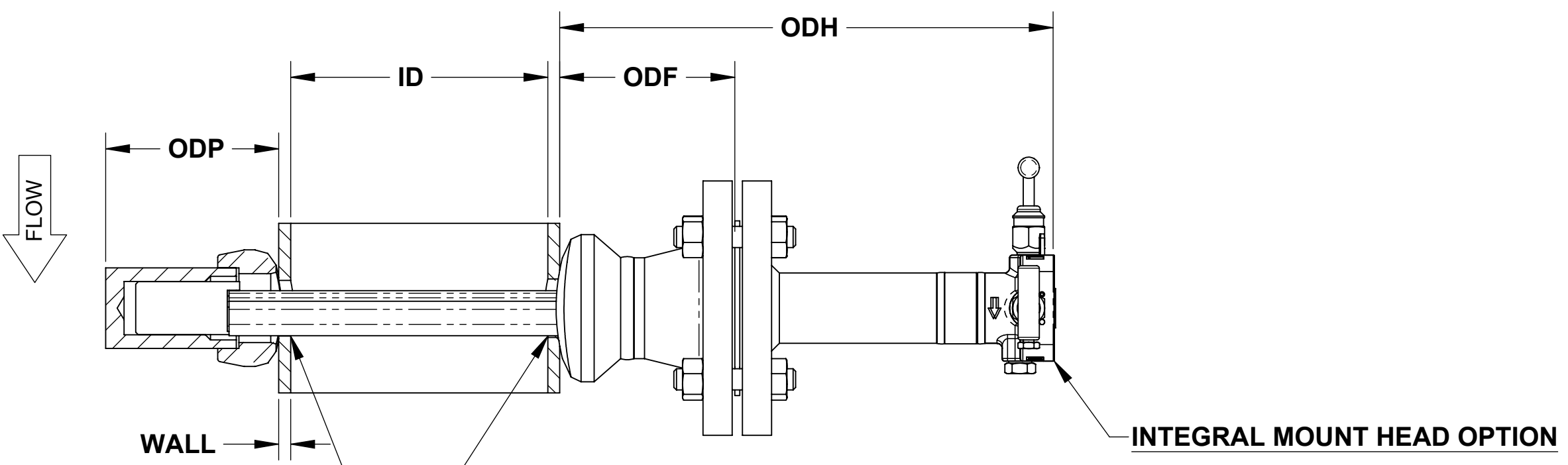
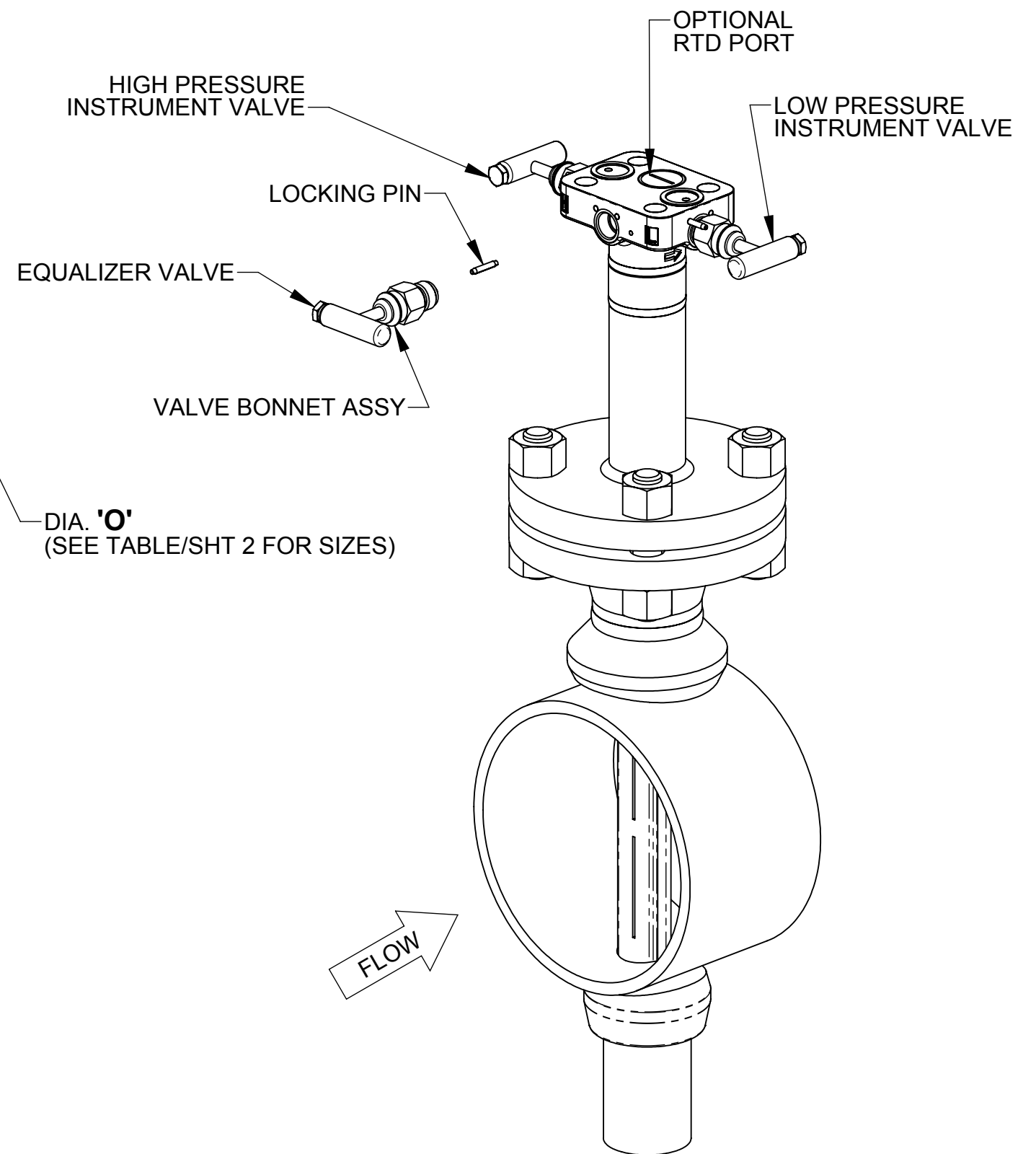
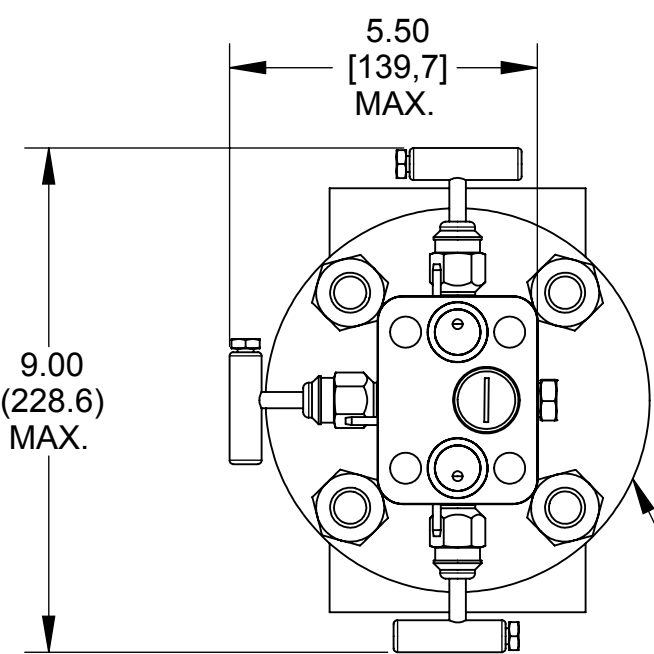
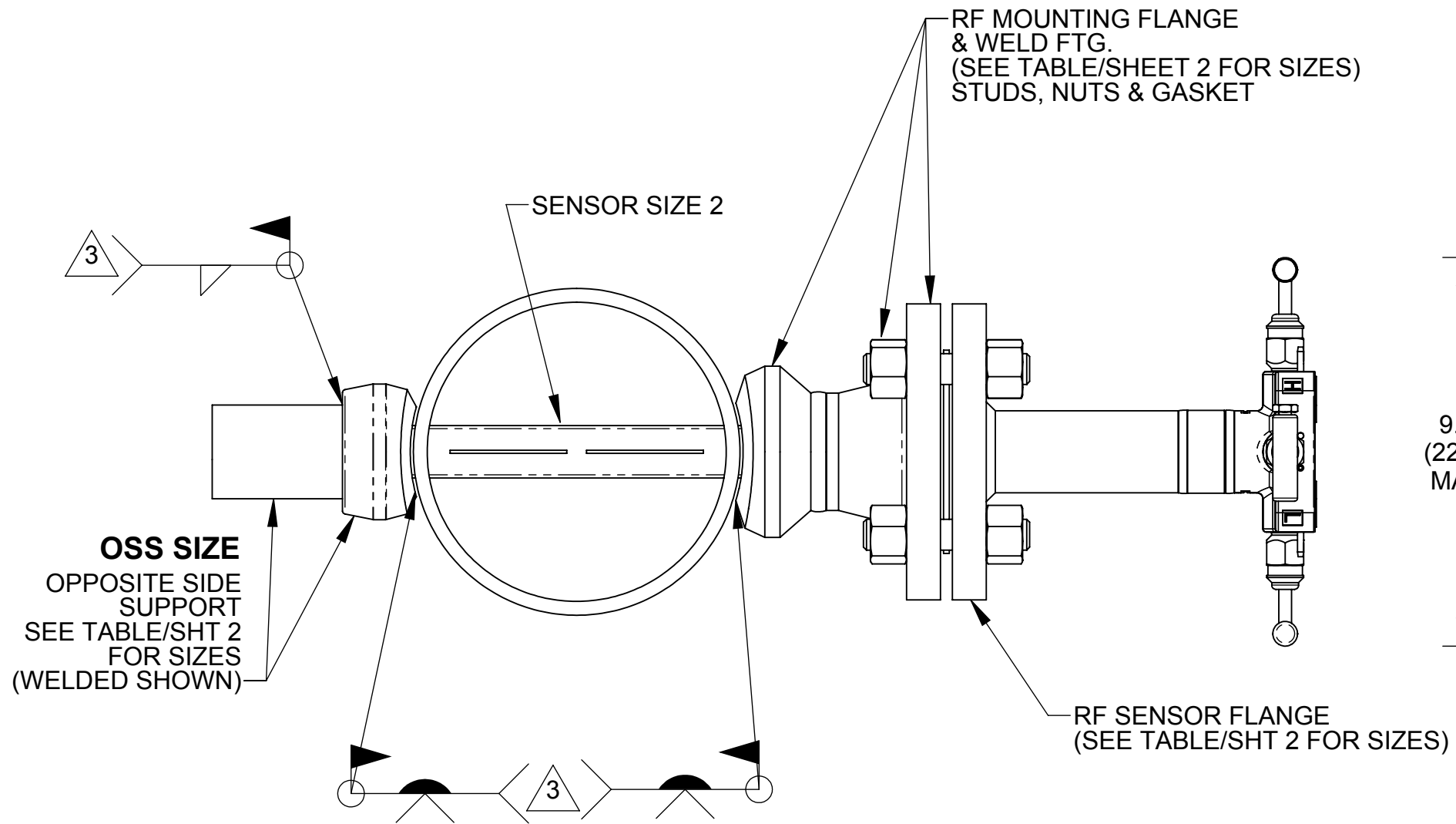


REVISIONS				
REV	DESCRIPTION	CHG.NO.	APP'D	DATE
AF	GENERAL UPDATES	DSI1050187	JR	07/07/11



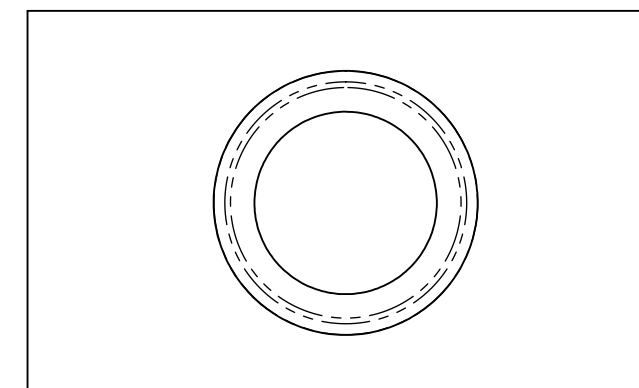
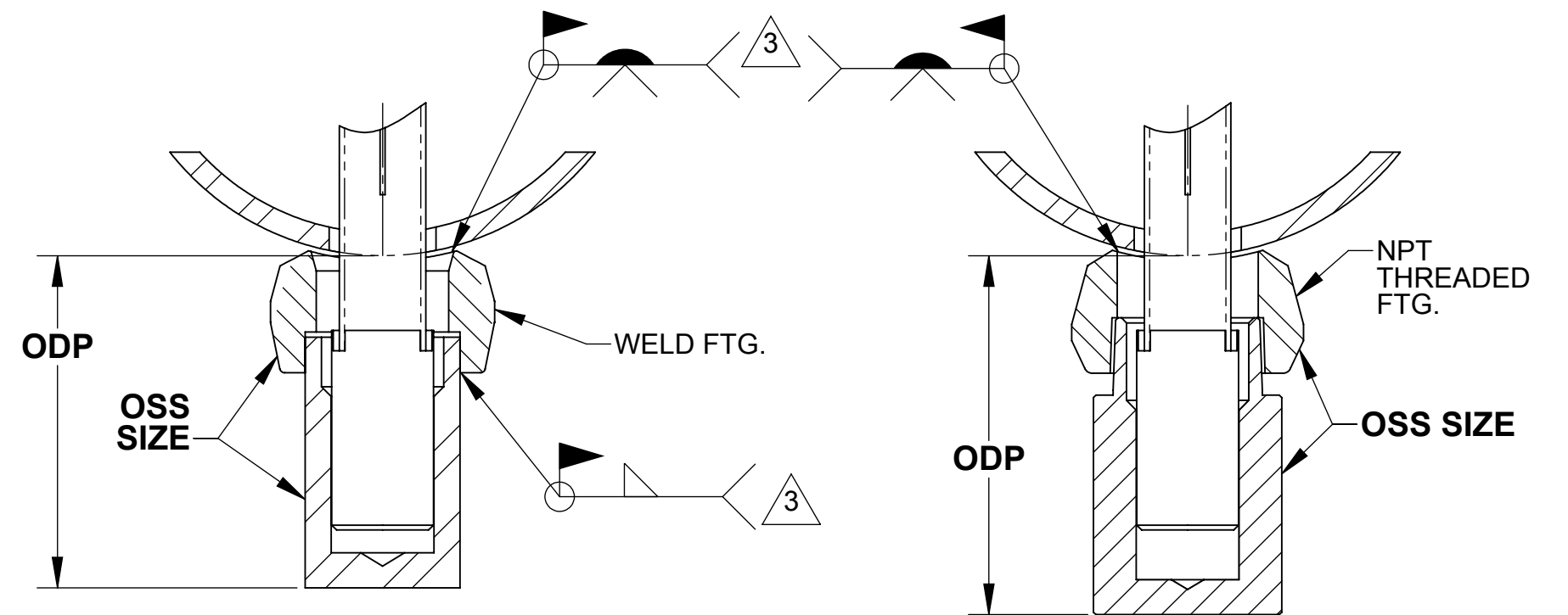
INTEGRAL MOUNT WITH OPPOSITE SIDE SUPPORT
(150# THRU 600# ANSI SHOWN)

CAUTION
FOR ACCURATE FLOW MEASUREMENT THE CORRECT HOLE SIZE IN PIPE MUST BE:
1-5/16 INCH (34mm)
DO NOT DRILL OVERSIZE
DO NOT TORCH CUT HOLE

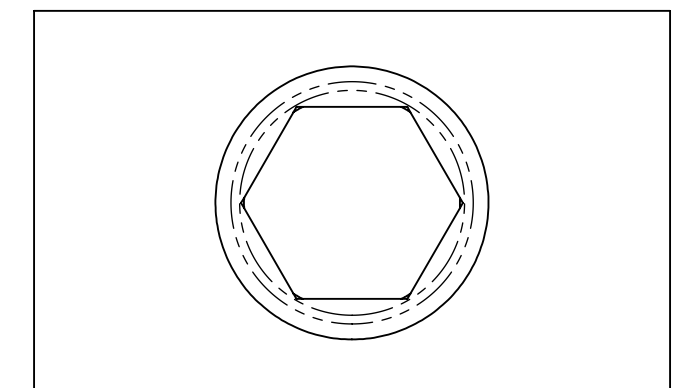
NOTE: UNLESS OTHERWISE SPECIFIED ALL INFORMATION IS BOTH (TYP) & GENERAL TO STANDARD PRODUCT DESIGN ALL PIPE SECTIONS SHOWN FOR REFERENCE ONLY

<p>*UNLESS OTHERWISE SPECIFIED DIMENSIONS IN INCHES (MM)</p> <p>*ALL DIMENSIONS ARE NOMINAL AND ARE FOR REFERENCE ONLY</p>	TYPE I		ROSEMOUNT® <small>BOULDER, COLORADO</small>	
	DR.	<i>jpaylor</i>	4/1/05	TITLE DIMENSION DRAWING, MODEL 485 ANNUBAR FLOWMETER (3051SFA, 3051CFA 2051CFA, 3095MFA) SENSOR SIZE 2 FLANGED 150# - 2500# ANSI
	APPROVAL			
	DRAWING	<i>MONTGOMERY</i>	6/7/05	
	TAGGING			SIZE C DRAWING NO. 00485-1013
SPECIALS			SCALE: NONE SHEET 1 OF 5	

Flanged												
Sensor Size	Min. Rod Reynolds	Probe Width*	3-valve DM head width*	Flange Rating	BFT*	O*	Flange Size (NPS)	ODF*	ODH* max	ODP* max	OSS Size (NPS)	
2	12500	1.060 [26.92]	9.00 [229,0]	Threaded								
				150# ANSI	0.75 [19,1]	6.00 [152,4]	2sch80	4.13 [104,9]	12.00 [304,8]	5.00 [127,0]	1-1/2sch80	
				300# ANSI	0.88 [22,4]	6.50 [165,1]	2sch80	4.38 [111,3]	12.00 [304,8]	5.00 [127,0]	1-1/2sch80	
				600# ANSI	1.25 [31,8]			4.75 [120,7]			1-1/2sch80	
				900# ANSI	1.75 [44,5]	8.50 [215,9]		5.88 [149,4]			10.50 [266,7]	1-1/2sch80
				1500# ANSI	2.88 [73,2]	12.00 [304,8]	3schXXH	9.88 [251,0]	15.63 [396,9]	4.50 [114,3]	2schXXS	
				DN/PN 16	0.71 [18,0]	6.50 [165,0]	DN50	3.40 [86,4]	12.00 [304,8]	5.00 [127,0]	1-1/2sch80	
				DN/PN 40	0.79 [20,1]			3.52 [89,4]			1-1/2sch80	
				DN/PN 100	1.10 [27,9]	7.68 [195,0]		4.30 [109,2]			1-1/2sch80	
				150# RTJ	0.94 [23,9]	6.00 [152,4]	2sch80	4.31 [109,5]	12.00 [304,8]	5.00 [127,0]	1-1/2sch80	
				300# RTJ	1.13 [28,7]	6.50 [165,1]		4.63 [117,6]			1-1/2sch80	
				600# RTJ	1.31 [33,3]			4.81 [122,2]			1-1/2sch80	
				900# RTJ	1.81 [46,0]	8.50 [215,9]		5.94 [150,9]			10.63 [270,0]	1-1/2sch80
				1500# RTJ	3.00 [76,2]	12.00 [304,8]		10.00 [254,0]			15.87 [403,1]	4.50 [114,3]
				2500# RTJ			3schXXH					



TIP OPTION 'D'
EXTENDED TIP/WELDED



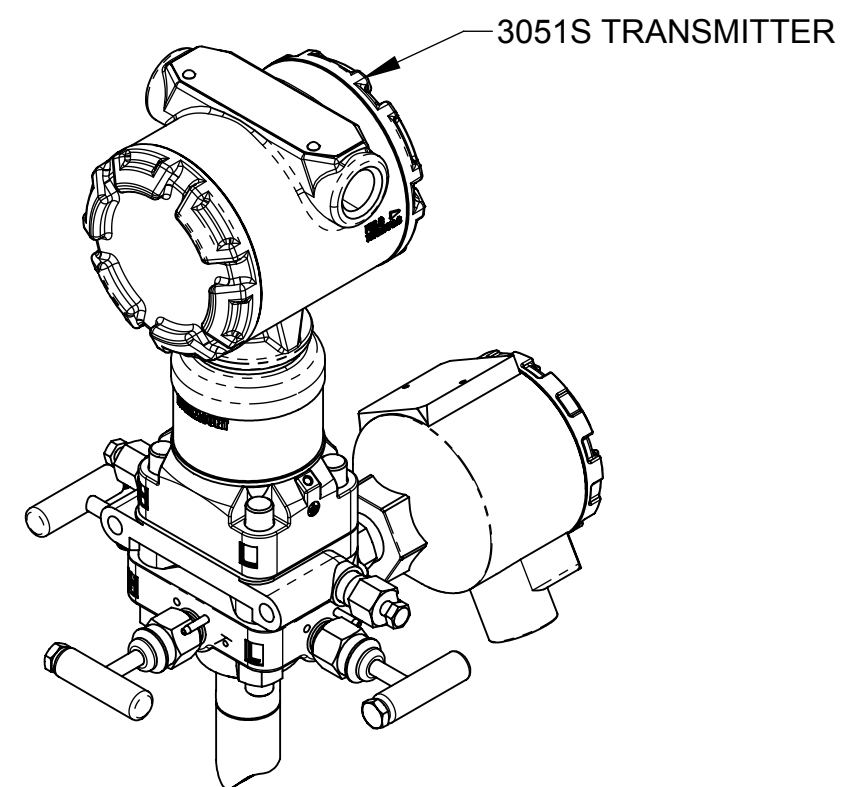
TIP OPTION 'C'
EXTENDED TIP/NPT THREADED

OPPOSITE SIDE SUPPORT OPTIONS

NOTES:

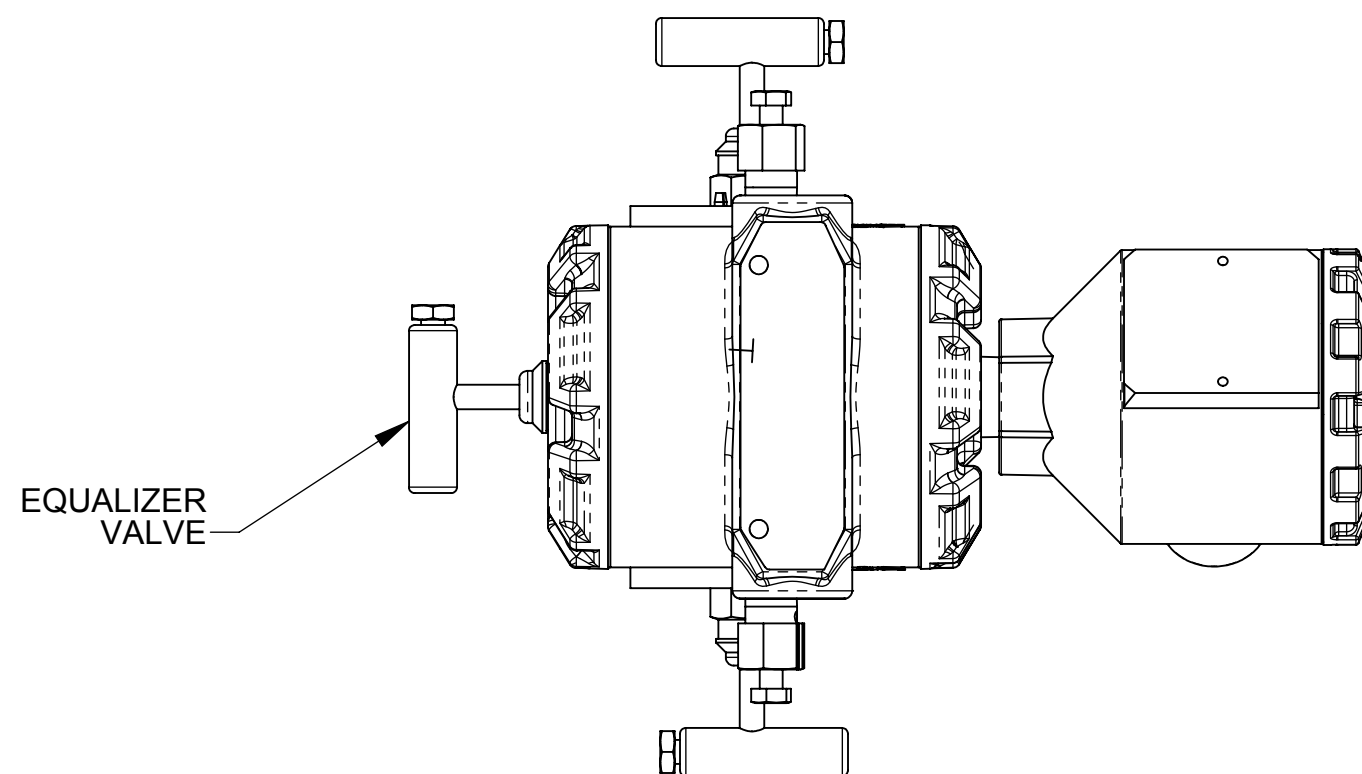
- ROSEMOUNT INC. CERTIFIES THIS DRAWING IS IN ACCORDANCE WITH ROSEMOUNT ENGINEERING SPECIFICATIONS AND ACCURATELY REPRESENTS THE EQUIPMENT FURNISHED.
- ALL ORIENTATIONS SHOWN FOR REFERENCE ONLY. FOR ACTUAL RECOMMENDED LOCATIONS AND ORIENTATIONS REFER TO INSTALLATION INSTRUCTION MANUAL 00809-0100-4809, QUICK INSTALLATION GUIDE (QIG) 00825-0100-4809.
- FIELD WELD. REFER TO INSTALLATION INSTRUCTIONS FOR WELD REQUIREMENTS.
- MAXIMUM PRESSURE: 2500# ANSI EQUIVALENT (6,000 PSIG AT 100°F/ 41368.54Kps AT 37.8°C) FOR 316SS.
- MAX TEMPERATURE: 500°F (260°C) FOR INTEGRAL TRANSMITTER MOUNTING
850°F (454.4°C) FOR STAINLESS STEEL REMOTE TRANSMITTER MOUNTING
1250°F (676.7°C) FOR HASTELLOY REMOTE TRANSMITTER MOUNTING
- FOR MODEL SELECTIONS, REFER TO ROSEMOUNT PRODUCT DATA SHEETS.

ROSEMOUNT®		
BOULDER, COLORADO		
SIZE A	FSCM.NO.	DRAWING NO. 00485-1013
SCALE: NONE	WT.	SHEET 2 OF 5

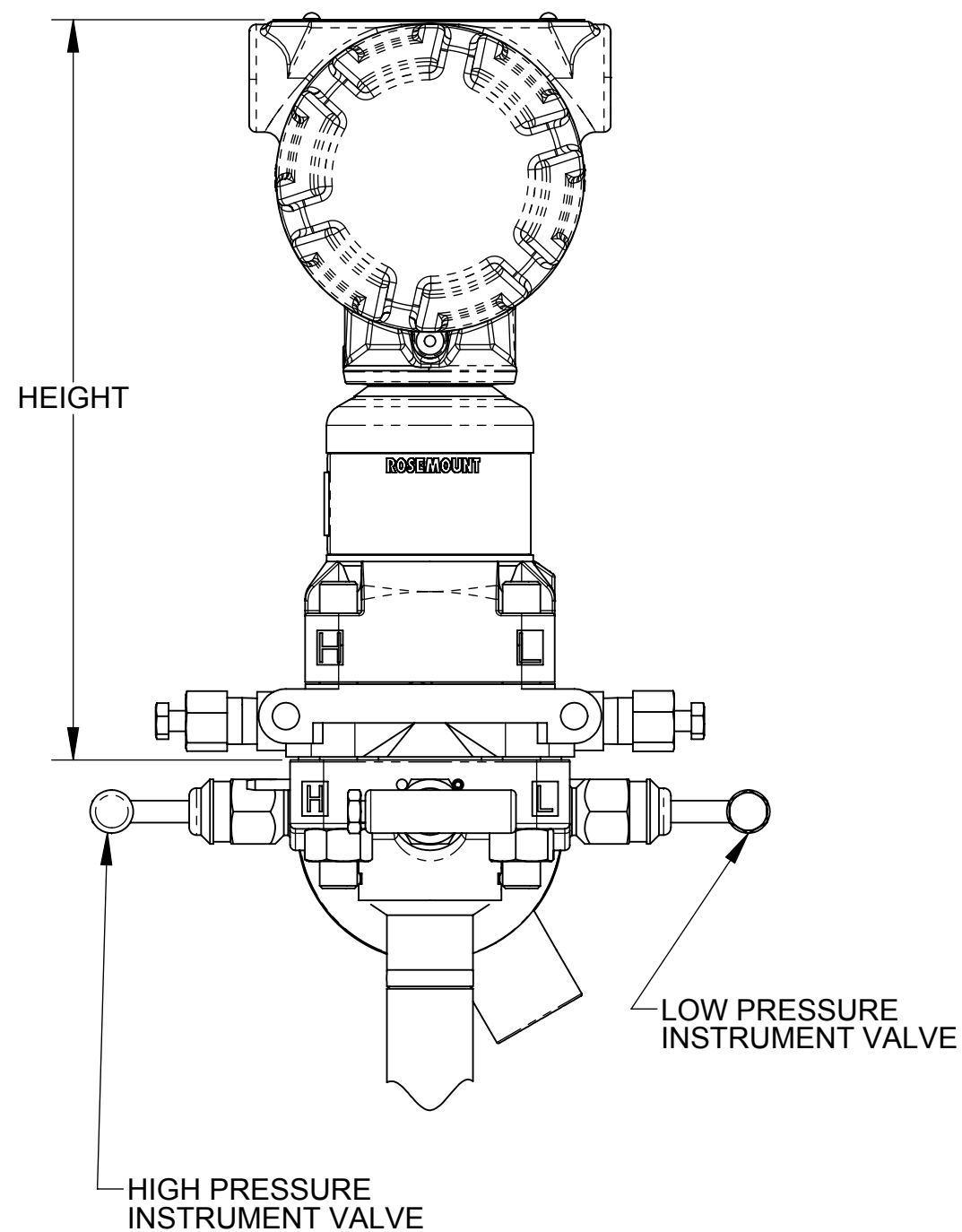


3051S TRANSMITTER

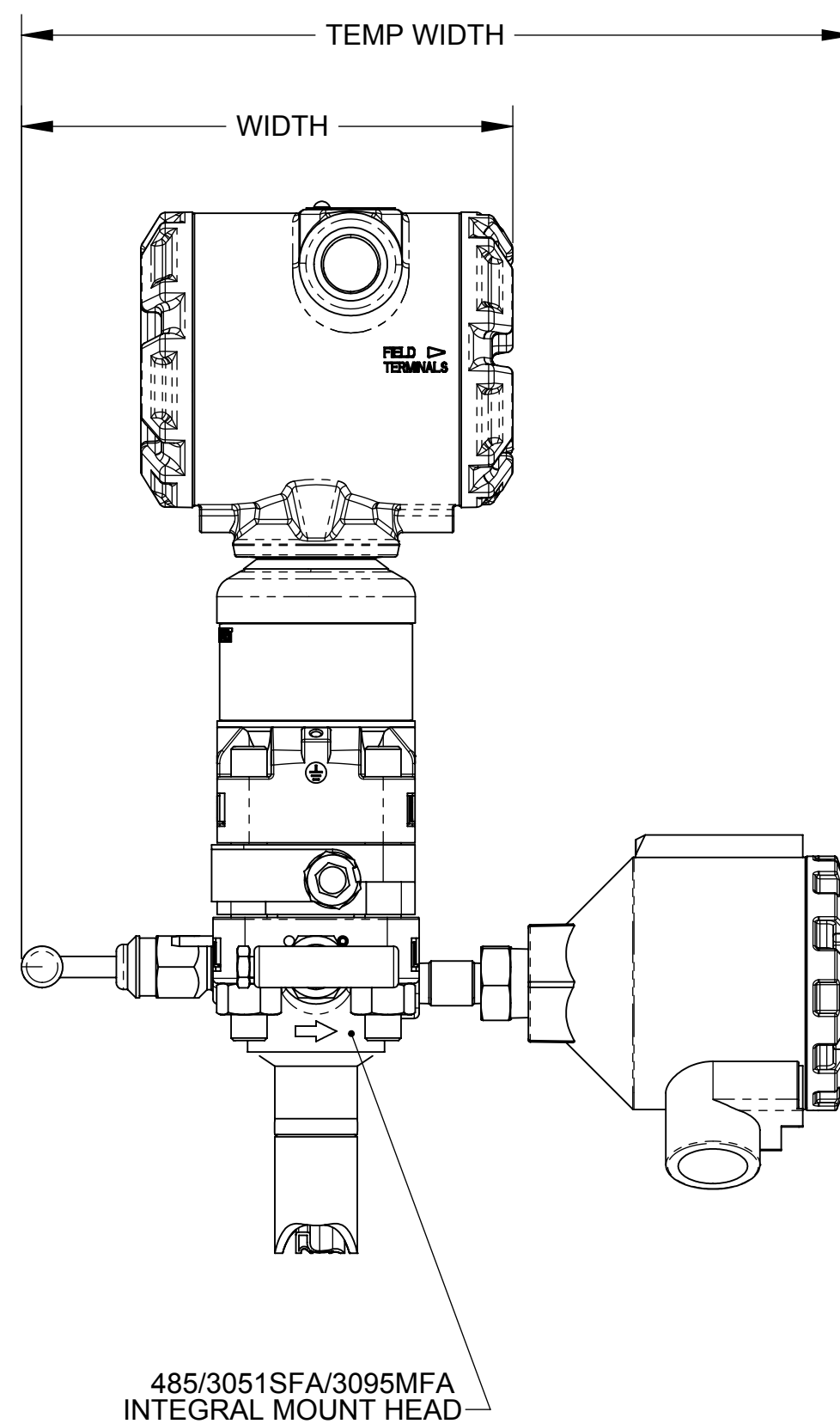
3051SFA, STD HARDWARE



EQUALIZER VALVE



3051SFA SHOWN



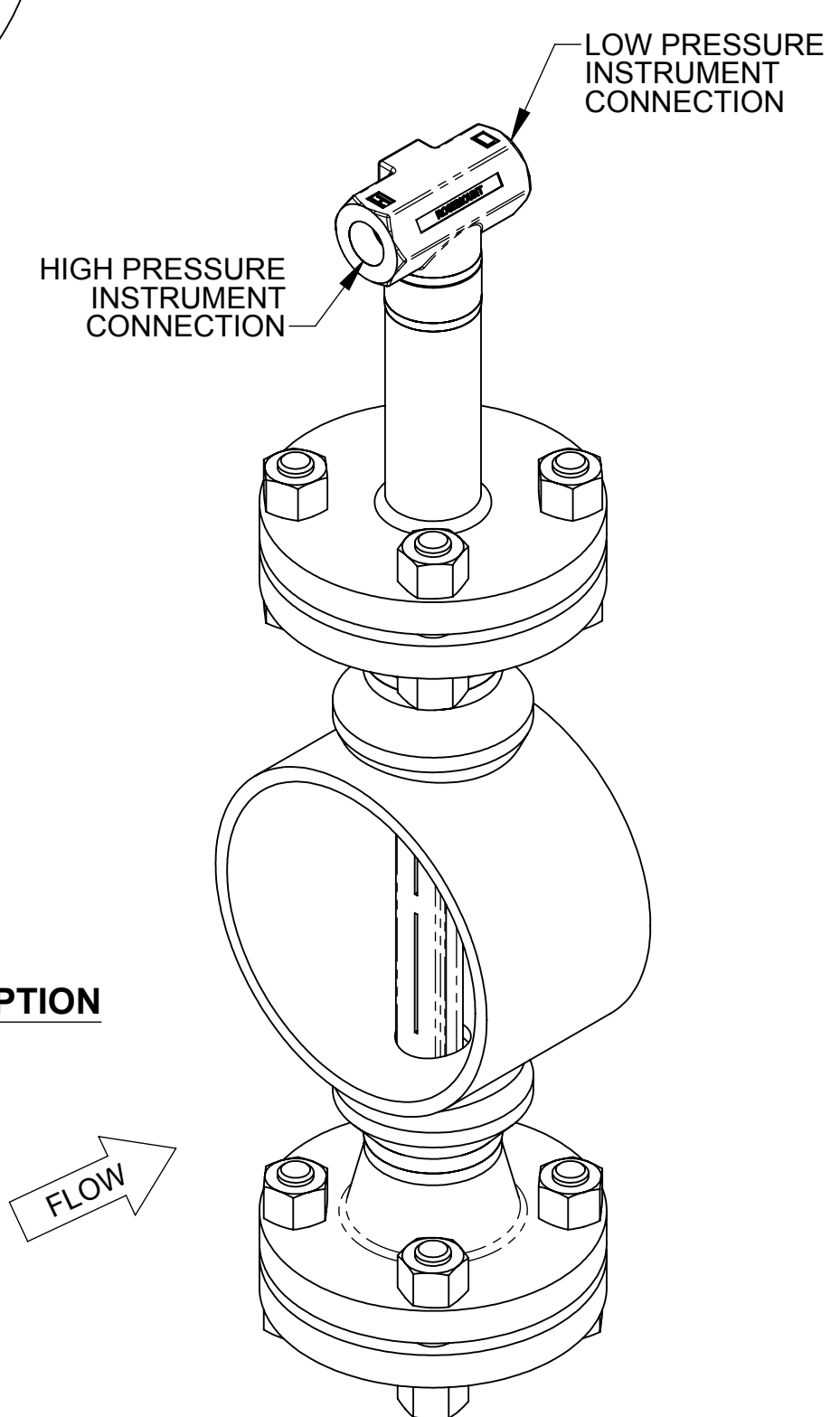
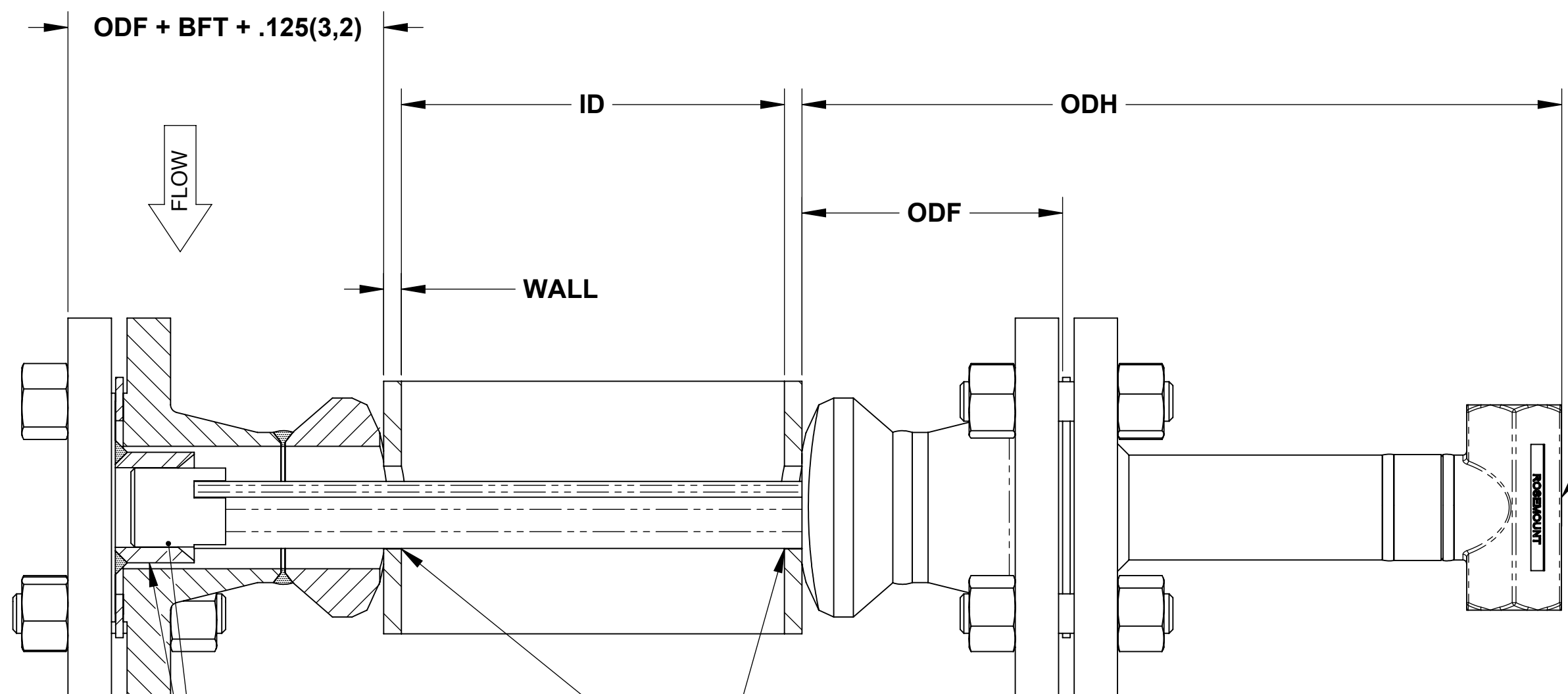
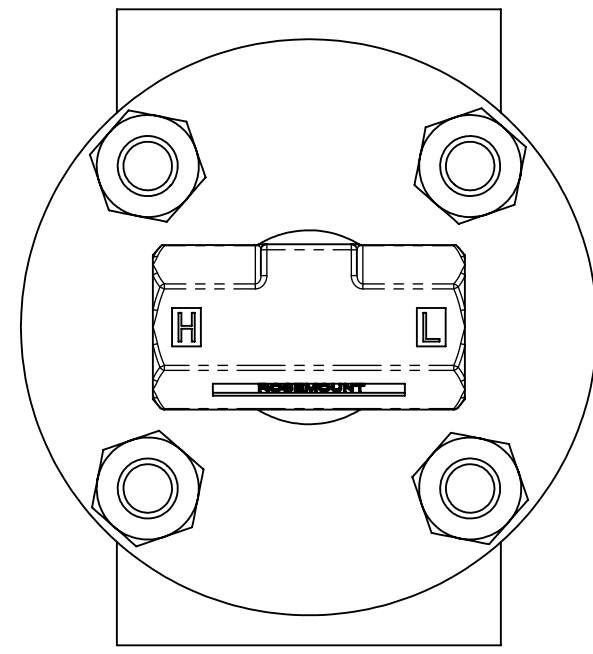
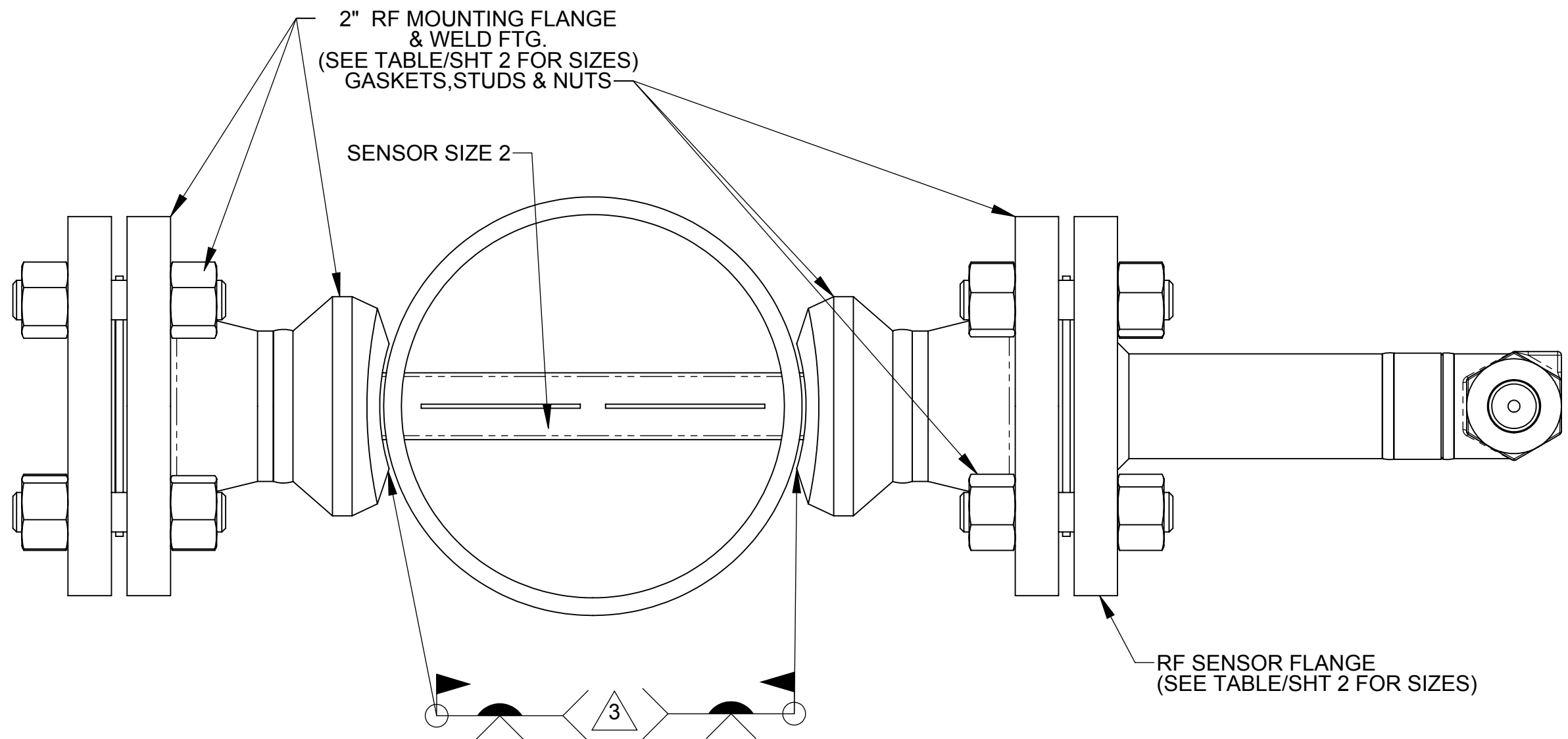
FLOWMETER	HEIGHT	WIDTH	TEMP WIDTH
2051CFA	7.03 [178,5]	5.50 [139,7]	10.09 [256,3]
3051CFA	7.1 (181)	5.67 [144,0]	
3051SFA	8.53 (216.7)	5.67 [144,0]	
3095MFA	7.1 (181)	5.67 [144,0]	

ROSEMOUNT®

BOULDER, COLORADO

SIZE A FSCM.NO. DRAWING NO. 00485-1013

SCALE: NONE | WT. SHEET 3 OF 5



REMOTE MOUNT HEAD OPTION

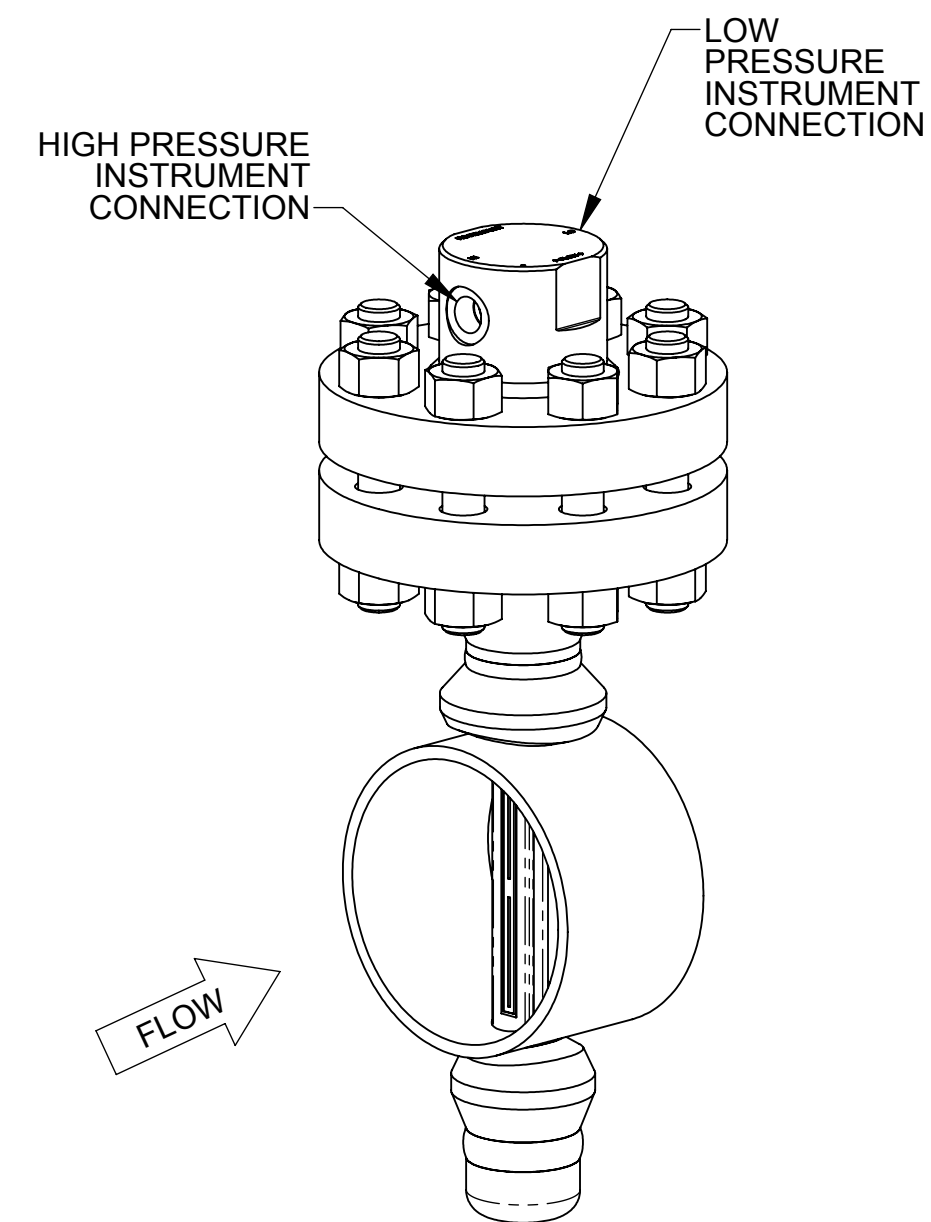
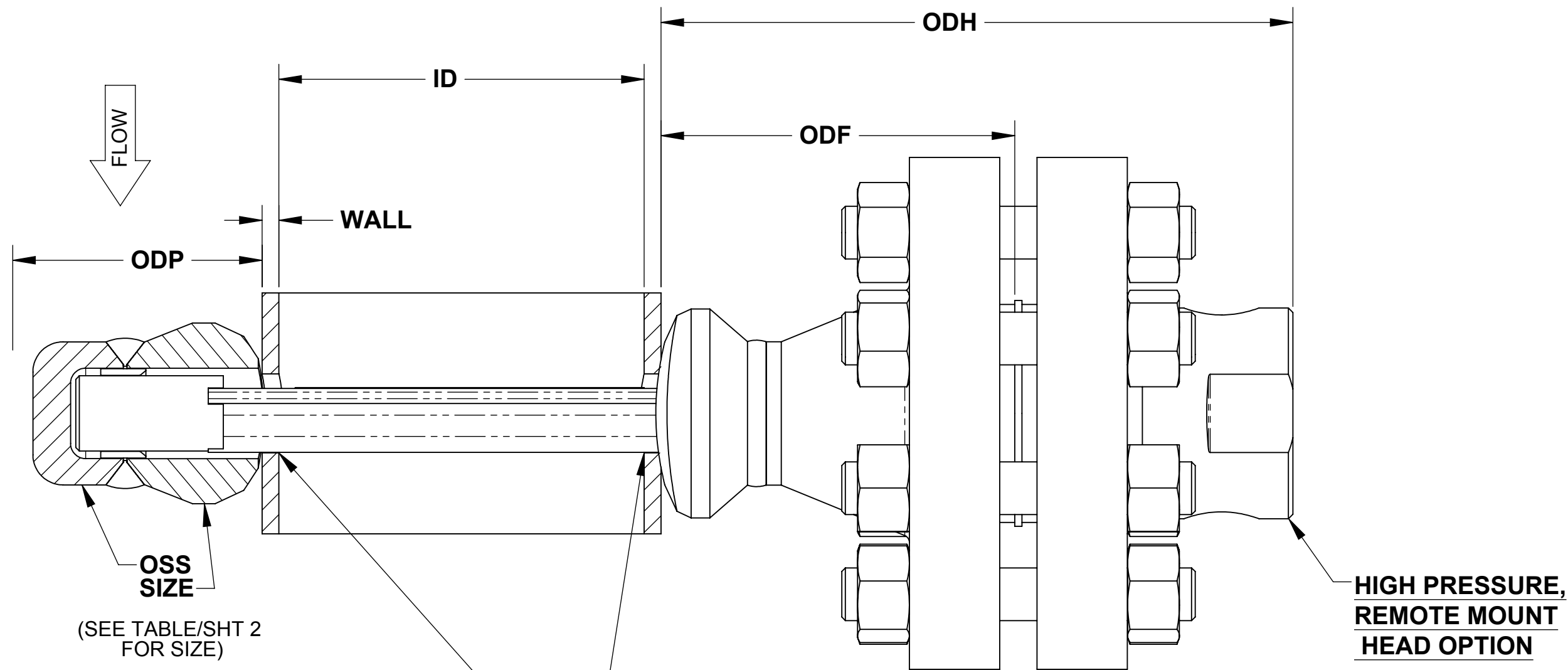
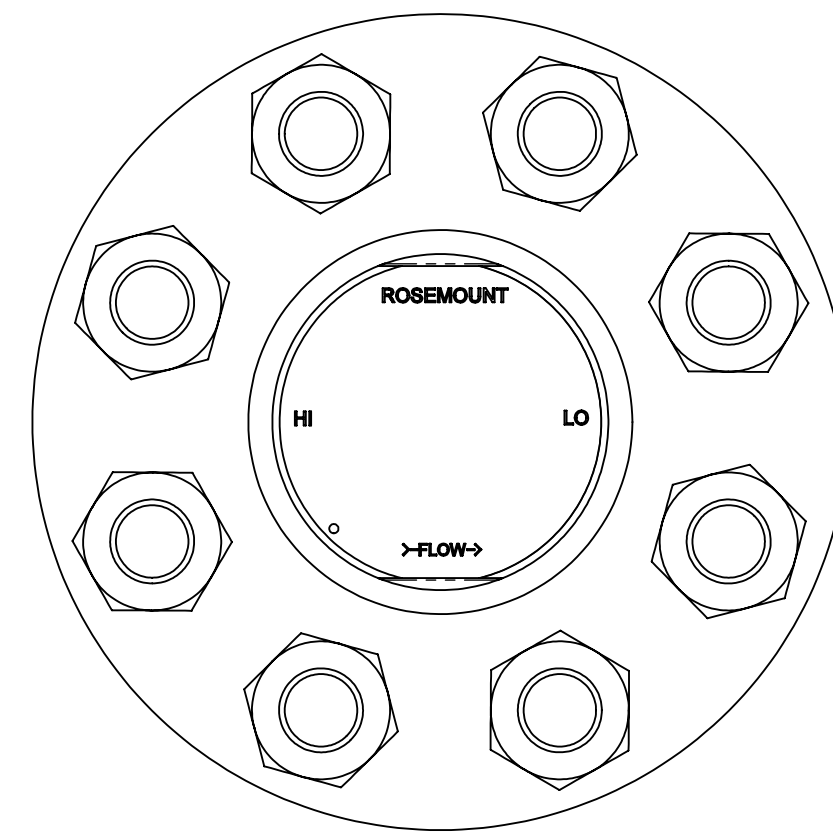
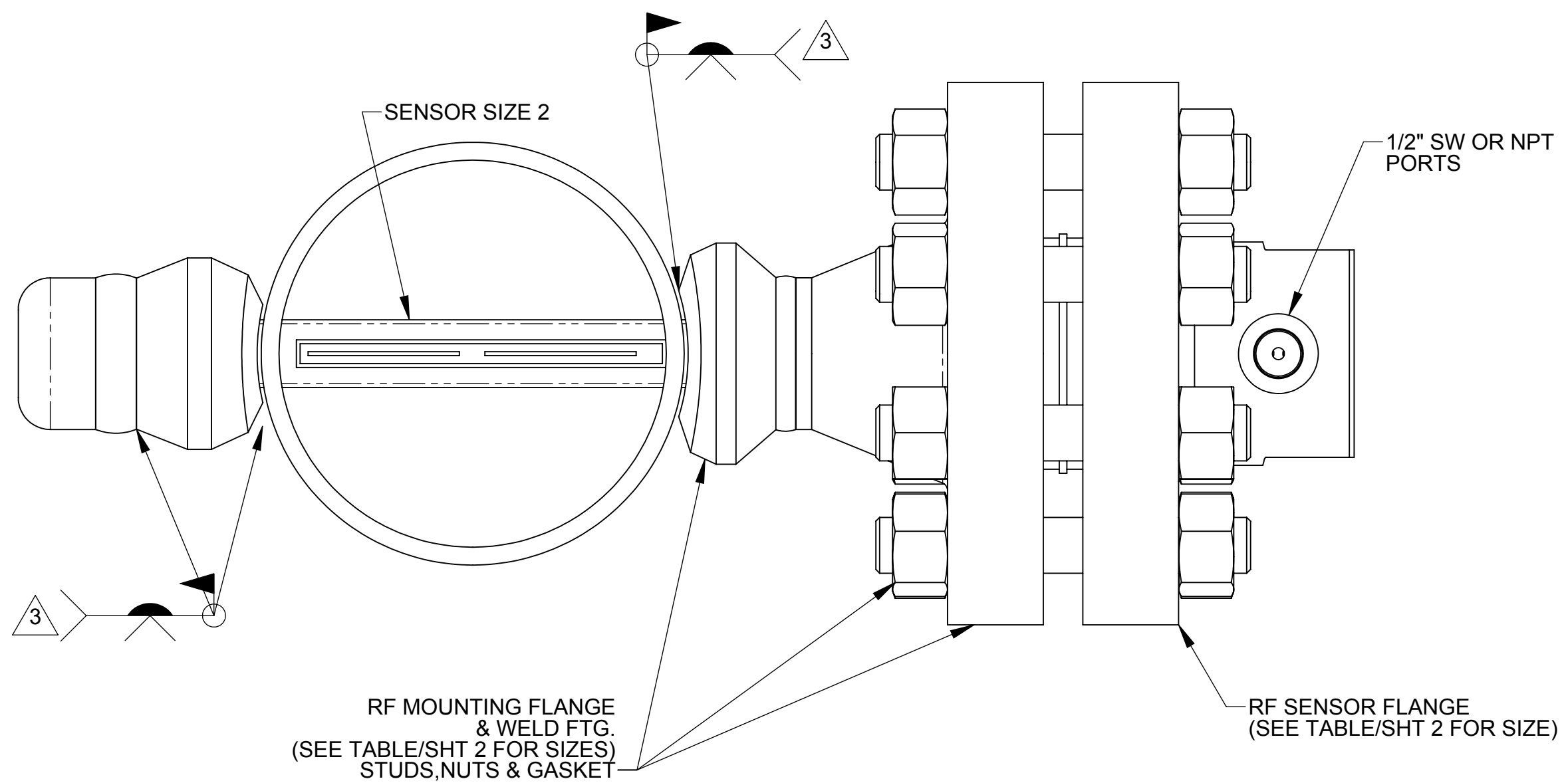
**REMOTE MOUNT
FLANGED
OPPOSITE SIDE SUPPORT**
(150# THRU 600# ANSI SHOWN)

CAUTION
FOR ACCURATE FLOW MEASUREMENT
THE CORRECT HOLE SIZE IN PIPE MUST BE:
1-5/16 INCH (34mm)
DO NOT DRILL OVERSIZE
DO NOT TORCH CUT HOLE

FLANGED OPPOSITE SIDE
SUPPORT ASSY.

ALSO AVAILABLE FOR HIGH PRESSURE APPLICATIONS

ROSEMOUNT®		
BOULDER, COLORADO		
SIZE A	FSCM.NO.	DRAWING NO. 00485-1013
SCALE: NONE	WT.	SHEET 4 OF 5



HI-PRESSURE REMOTE MOUNT WITH OPPOSITE SIDE SUPPORT
(900# & ABOVE ANSI SHOWN)

CAUTION
FOR ACCURATE FLOW MEASUREMENT THE CORRECT HOLE SIZE IN PIPE MUST BE:
1-5/16 INCH (34mm)
DO NOT DRILL OVERSIZE
DO NOT TORCH CUT HOLE

ROSEMOUNT®		
BOULDER, COLORADO		
SIZE A	FSCM.NO.	DRAWING NO. 00485-1013
SCALE: NONE	WT.	SHEET 5 OF 5