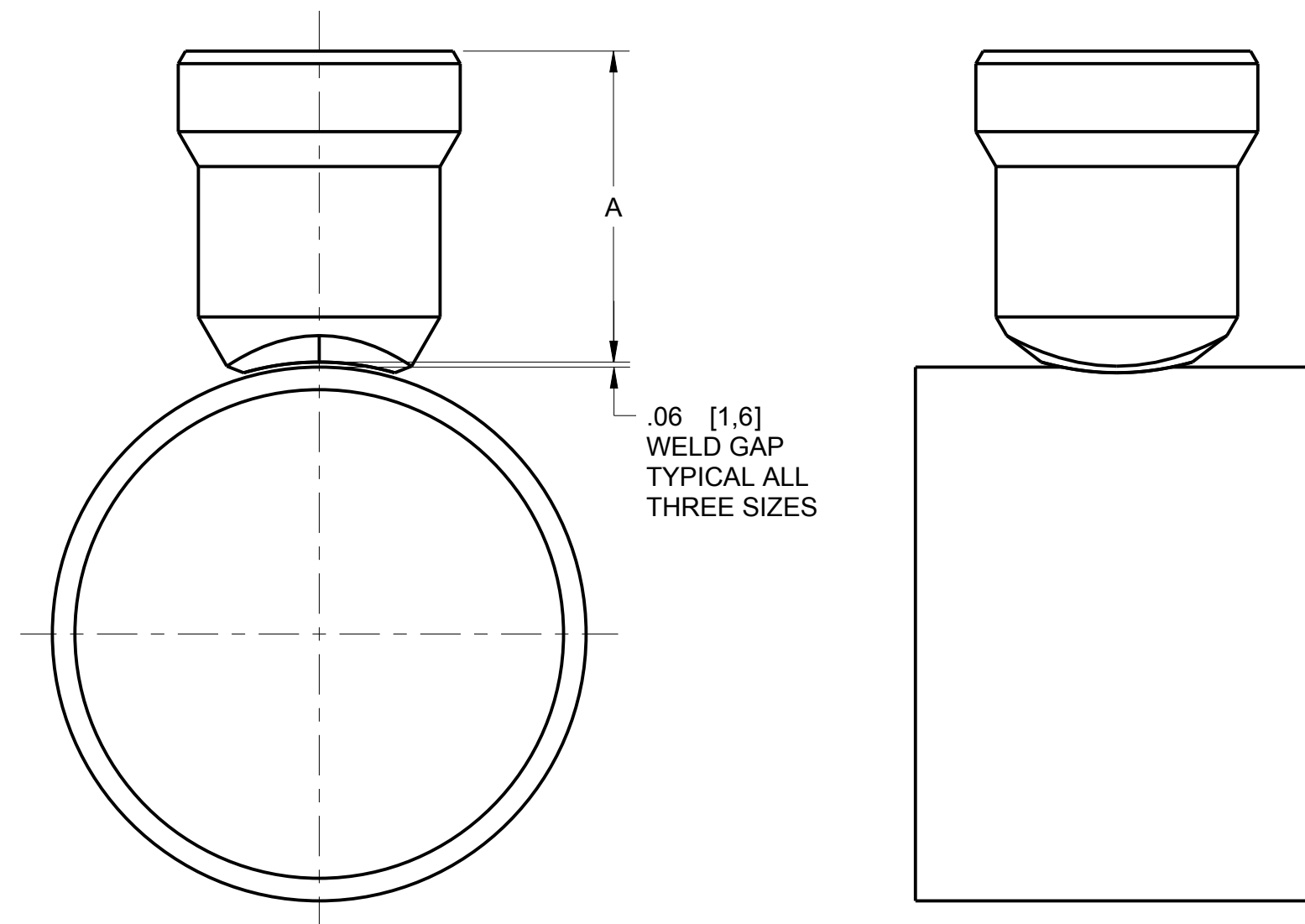
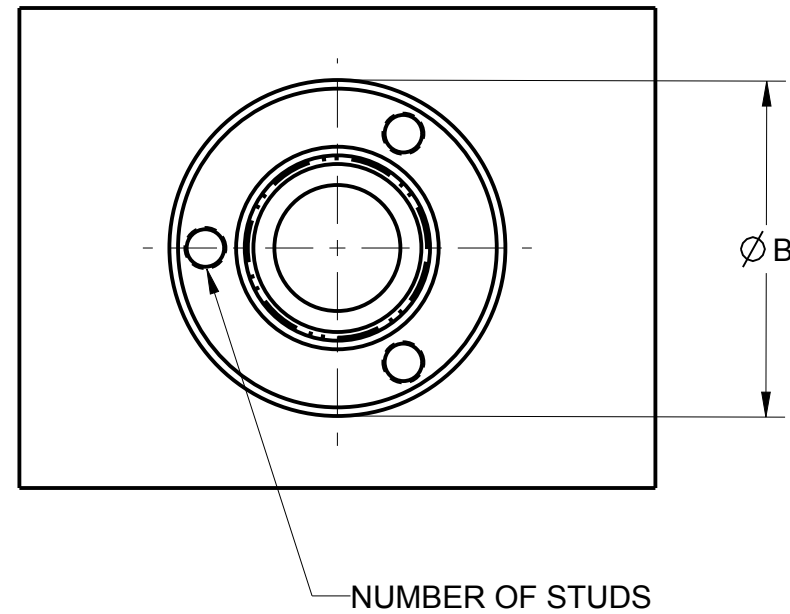


REVISION TABLE

REVISION	ECO NO.	APP'D	DATE
AB	DSI1003288	JR	05/06/10
DESCRIPTION			
GENERAL UPDATES. REDRAWN IN PRO/E			

TABLE 1: PAK-LOK MOUNTING DIMENSIONS

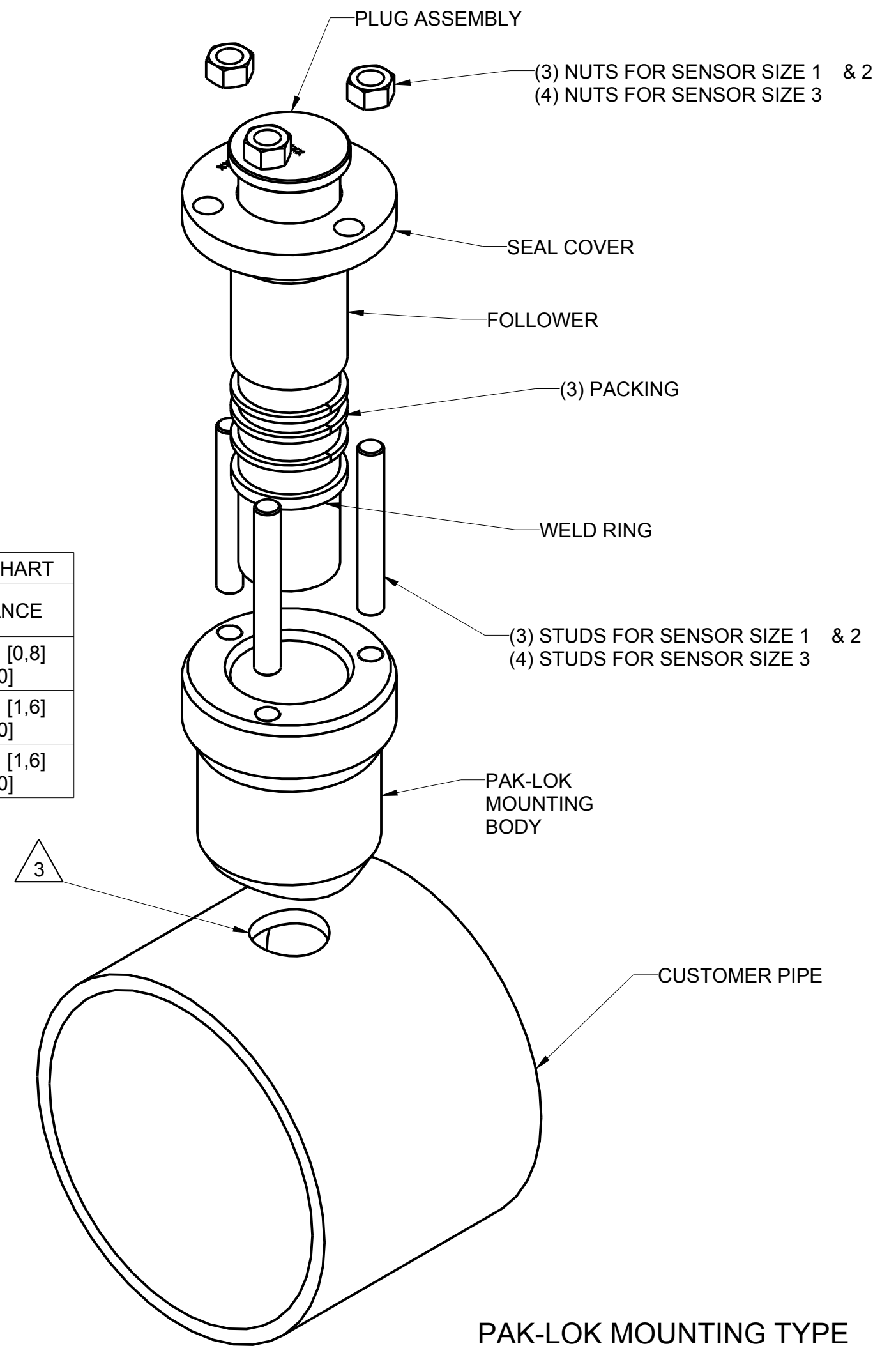
SENSOR SIZE	DIMENSION A	DIMENSION B	STUD SIZE	NUMBER OF STUDS
1	2.75 [69,9]	2.50 [63,5]	5/16 - 18	3
2	3.80 [96,5]	3.50 [88,9]	7/16 - 20	3
3	3.79 [96,3]	5.25 [133,4]	9/16 - 12	4



SENSOR SIZE 1, 2 AND 3 MOUNTING

TABLE 2: SENSOR SIZE HOLE CHART

SENSOR SIZE	DIAMETER	TOLERANCE
1	3/4-in. [19]	+ 1/32-in. [0,8] / 0.0 [0]
2	1 5/16-in. [34]	+ 1/16-in. [1,6] / 0.0 [0]
3	2 1/2-in. [64]	+ 1/16-in. [1,6] / 0.0 [0]



PAK-LOK MOUNTING TYPE

NOTES:

- ROSEMOUNT INC. CERTIFIES THIS DRAWING IS IN ACCORDANCE WITH ROSEMOUNT ENGINEERING SPECIFICATIONS AND ACCURATLEY REPRESENTS THE EQUIPMENT FURNISHED.
- REFERENCE INSTRUCTION MANUAL 00809-0100-4809 FOR DETAIL INSTALLATION INFORMATION.
- FOR ACCURATE FLOW MEASUREMENT DETERMINE THE DIAMETER OF THE HOLE TO BE DRILLED ACCORDING TO THE SPECIFICATIONS IN THE SENSOR SIZE HOLE CHART TABLE(S) 2, 4, 6, 8, 10, 12, AND 14. DRILL THE MOUNTING HOLE INTO THE PIPE WITH A HOLE SAW OR DRILL. DO NOT TORCH CUT THE HOLE

*UNLESS OTHERWISE SPECIFIED DIMENSIONS IN INCHES (MM)		TYPE I		ROSEMOUNT [®] BOULDER, COLORADO	
*ALL DIMENSIONS ARE NOMINAL AND ARE FOR REFERENCE ONLY		DR. J.RUMSEY	04/22/10	TITLE	
		APPROVAL		DIMENSIONAL DRAWING FOR MODEL 486	
		DRAWING D.VERHAAGEN	05/05/10	MOUNTING HARDWARE	
		TAGGING		SIZE C	DRAWING NO. 00485-1000
		SPECIALS		SCALE : NONE	SHEET: 1 of 7



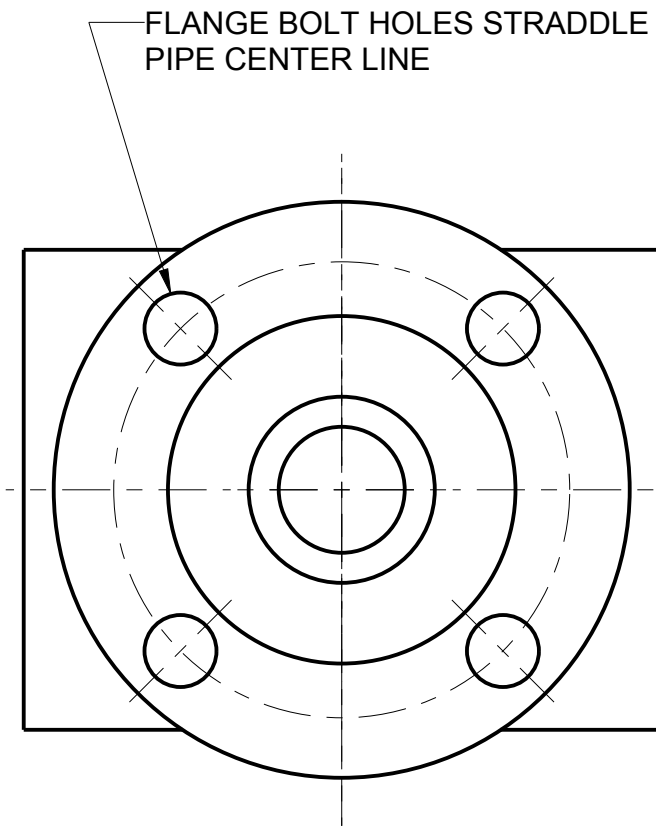


TABLE 3 : FLANGE-LOK MOUNTING DIMENSIONS

SENSOR SIZE	SENSOR FLANGE SIZE	DIMENSION A	DIMENSION B	# BOLT HOLES	BOLT SIZE
1	1 1/2 - 150#	3.88-in. [98,6]	5.00-in. [127,0]	4	1/2 - 13
1	1 1/2 - 300#	4.13-in. [104,9]	6.12-in. [155,4]	4	3/4 - 10
1	1 1/2 - 600#	4.44-in. [112,8]	6.12-in. [155,4]	4	3/4 - 10
2	2 - 150#	4.13-in. [104,9]	6.00-in. [152,4]	4	5/8 - 11
2	2 - 300#	4.38-in. [111,3]	6.50-in. [165,1]	8	5/8 - 11
2	2 - 600#	4.75-in. [120,7]	6.50-in. [165,1]	8	5/8 - 11
3	3 - 150#	4.63-in. [117,6]	7.50-in. [190,5]	4	5/8 - 11
3	3 - 300#	5.00-in. [127,0]	8.25-in. [209,6]	8	3/4 - 10
3	3 - 600#	5.38-in. [136,7]	8.25-in. [209,6]	8	3/4 - 10
1	DN40 PN16	3.09-in. [78,5]	5.91-in. [150,0]	4	5/8 - 11
1	DN40 PN40	3.21-in. [81,5]	5.91-in. [150,1]	4	5/8 - 11
1	DN40 PN100	3.88-in. [98,6]	6.69-in. [169,9]	4	3/4 - 10
2	DN50 PN16	3.40-in. [86,4]	6.50-in. [165,1]	4	5/8 - 11
2	DN50 PN40	3.52-in. [89,4]	6.50-in. [165,1]	4	5/8 - 11
2	DN50 PN100	4.30-in. [109,2]	7.68-in. [195,1]	4	7/8 - 9
3	DN80 PN16	3.85-in. [97,8]	7.87-in. [199,9]	8	5/8 - 11
3	DN80 PN40	4.16-in. [105,7]	7.87-in. [199,9]	8	5/8 - 11
3	DN80 PN100	4.95-in. [125,7]	9.06-in. [231,1]	8	7/8 - 9

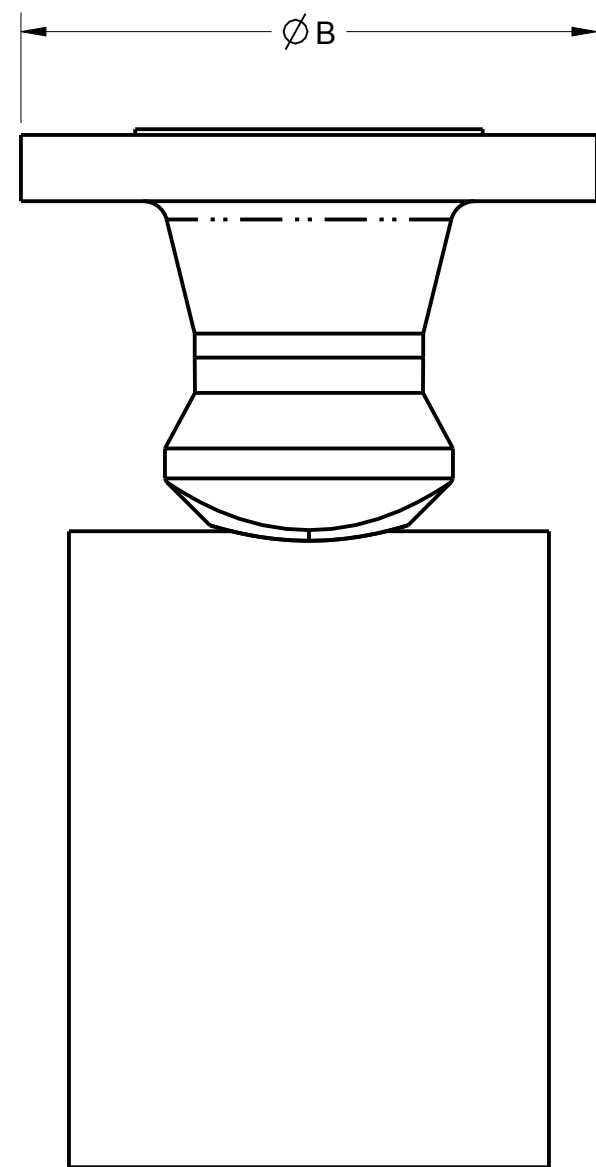
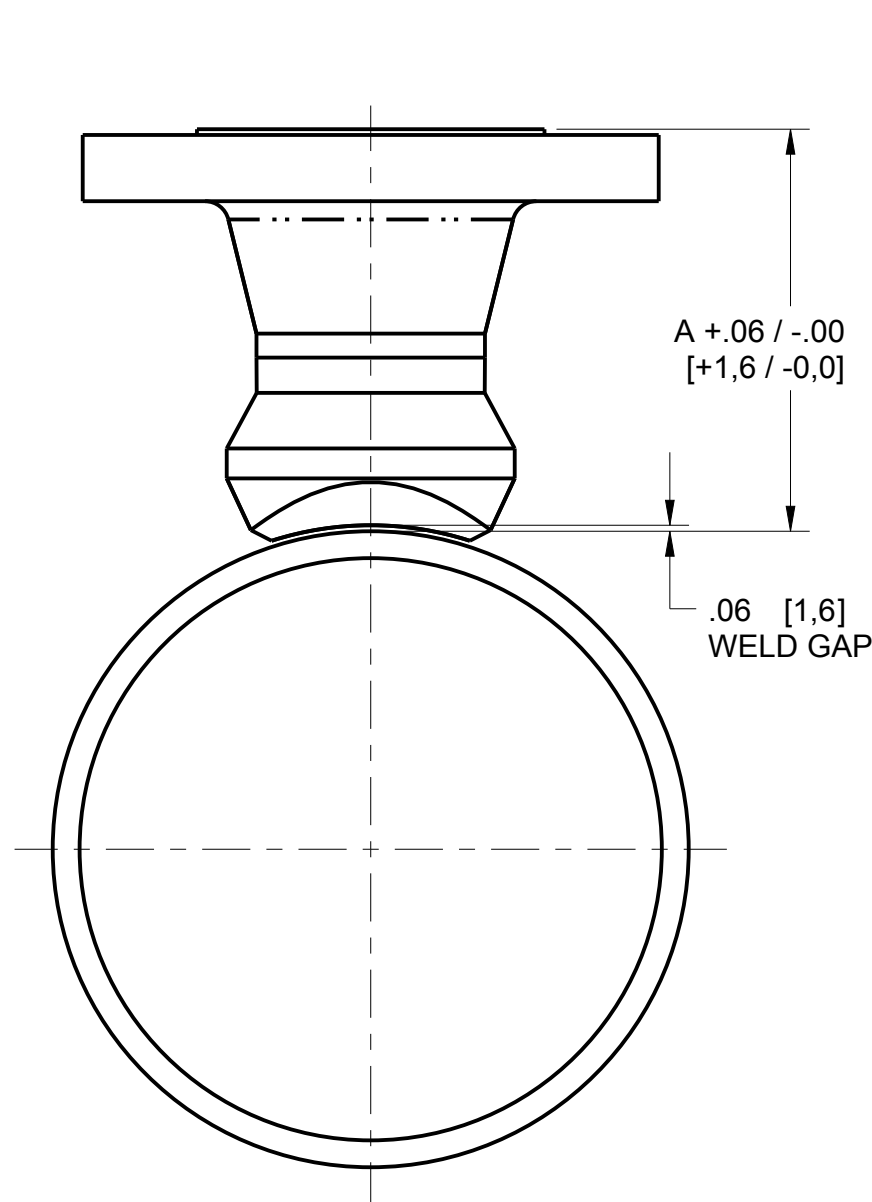
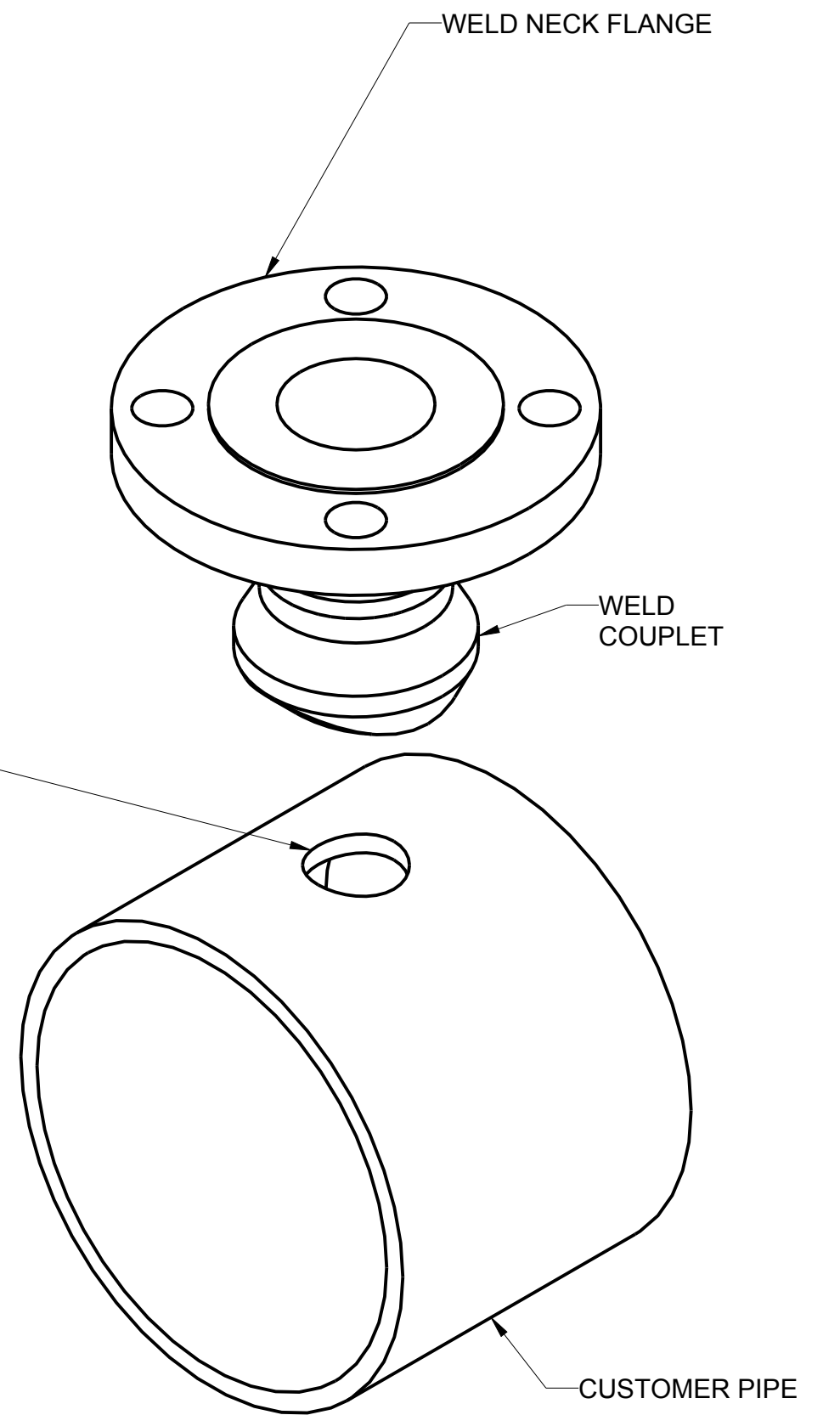


TABLE 4 : SENSOR SIZE HOLE CHART

SENSOR SIZE	DIAMETER	TOLERANCE
1	3/4-in. [19]	+ 1/32-in. [0,8] / -0.00
2	1 5/16-in. [34]	+ 1/16-in. [1,6] / -0.00
3	2 1/2-in. [64]	+ 1/16-in. (1.6) / -0.00



FLANGE-LOK MOUNTING TYPE

NOTES THIS SHEET:

1. OPPOSITE SIDE SUPPORT NOT REQUIRED. IF ORDERED REFER TO PAGE 3 OPPOSITE SIDE SUPPORT DETAIL.
2. ANSI FLANGE DIMENSIONS SHOWN ARE FOR RAISED FACE FLANGES.

ROSEMOUNT®
BOULDER, COLORADO

DR	J.RUMSEY	04/22/10
APP'D	D.VERHAAGEN	05/05/10

SIZE A	DRAWING NO.	00485-1000
SCALE : NONE	SHEET: 2	of 7

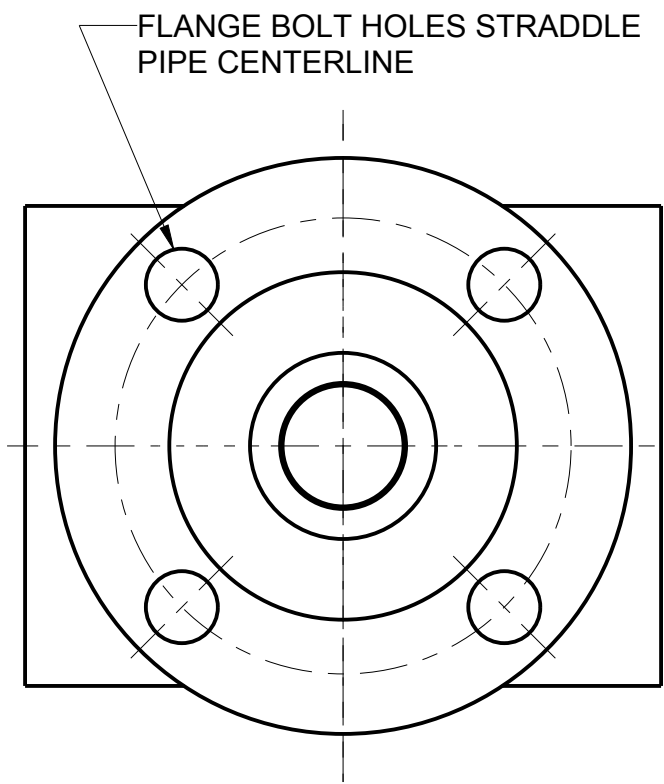


TABLE 5 : FLANGE MOUNTING DIMENSIONS						
SENSOR SIZE	SENSOR FLANGE SIZE	A	B	# BOLT HOLES	C MAX	BOLT SIZE
1	1 1/2 - 150#	3.88-in. [98,6]	5.00-in. [127,0]	4	3.50-in. [88,9]	1/2 - 13
1	1 1/2 - 300#	4.13-in. [104,9]	6.12-in. [155,4]	4	3.50-in. [88,9]	3/4 - 10
1	1 1/2 - 600#	4.44-in. [112,8]	6.12-in. [155,4]	4	3.50-in. [88,9]	3/4 - 10
2	2 - 150#	4.13-in. [104,9]	6.00-in. [152,4]	4	5.00-in. [127,0]	5/8 - 11
2	2 - 300#	4.38-in. [111,3]	6.50-in. [165,1]	8	5.00-in. [127,0]	5/8 - 11
2	2 - 600#	4.75-in. [120,7]	6.50-in. [165,1]	8	5.00-in. [127,0]	5/8 - 11
3	3 - 150#	4.63-in. [117,6]	7.50-in. [190,5]	4	4.00-in. [101,6]	5/8 - 11
3	3 - 300#	5.00-in. [127,0]	8.25-in. [209,6]	8	4.00-in. [101,6]	3/4 - 10
3	3 - 600#	5.38-in. [136,7]	8.25-in. [209,6]	8	4.00-in. [101,6]	3/4 - 10
1	DN40 PN16	3.09-in. [78,5]	5.91-in. [150,1]	4	3.50-in. [88,9]	5/8 - 11
1	DN40 PN40	3.21-in. [81,5]	5.91-in. [150,1]	4	3.50-in. [88,9]	5/8 - 11
1	DN40 PN100	3.88-in. [98,6]	6.69-in. [169,9]	4	3.50-in. [88,9]	3/4 - 10
2	DN50 PN16	3.40-in. [86,4]	6.50-in. [165,1]	4	5.00-in. [127,0]	5/8 - 11
2	DN50 PN40	3.52-in. [89,4]	6.50-in. [165,1]	4	5.00-in. [127,0]	5/8 - 11
2	DN50 PN100	4.30-in. [109,2]	7.68-in. [195,1]	4	5.00-in. [127,0]	7/8 - 9
3	DN80 PN16	3.85-in. [97,8]	7.87-in. [199,9]	8	4.00-in. [101,6]	5/8 - 11
3	DN80 PN40	4.16-in. [105,7]	7.87-in. [199,9]	8	4.00-in. [101,6]	5/8 - 11
3	DN80 PN100	4.95-in. [125,7]	9.06-in. [231,1]	8	4.00-in. [101,6]	7/8 - 9

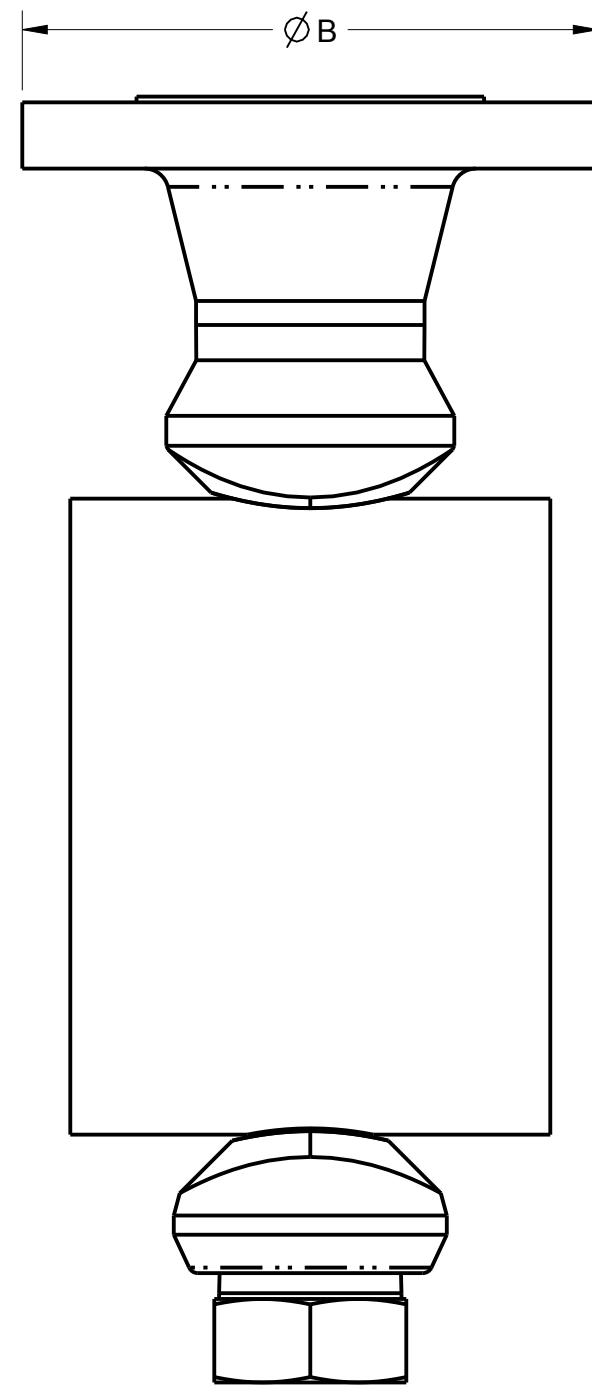
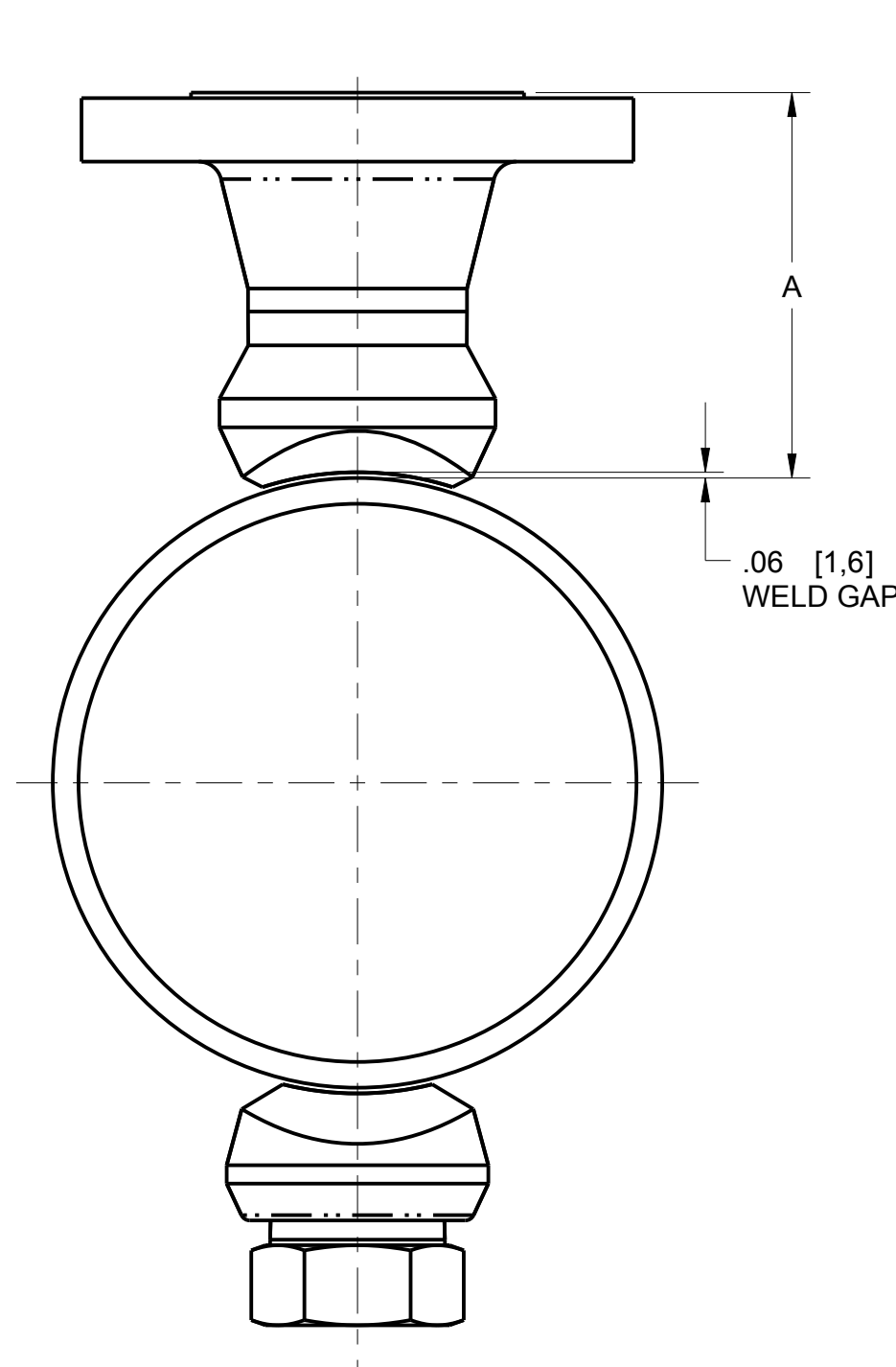
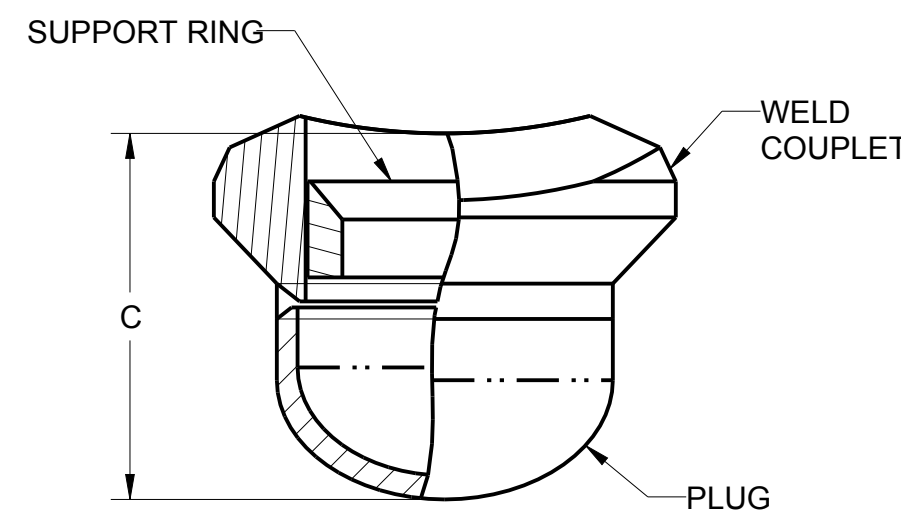
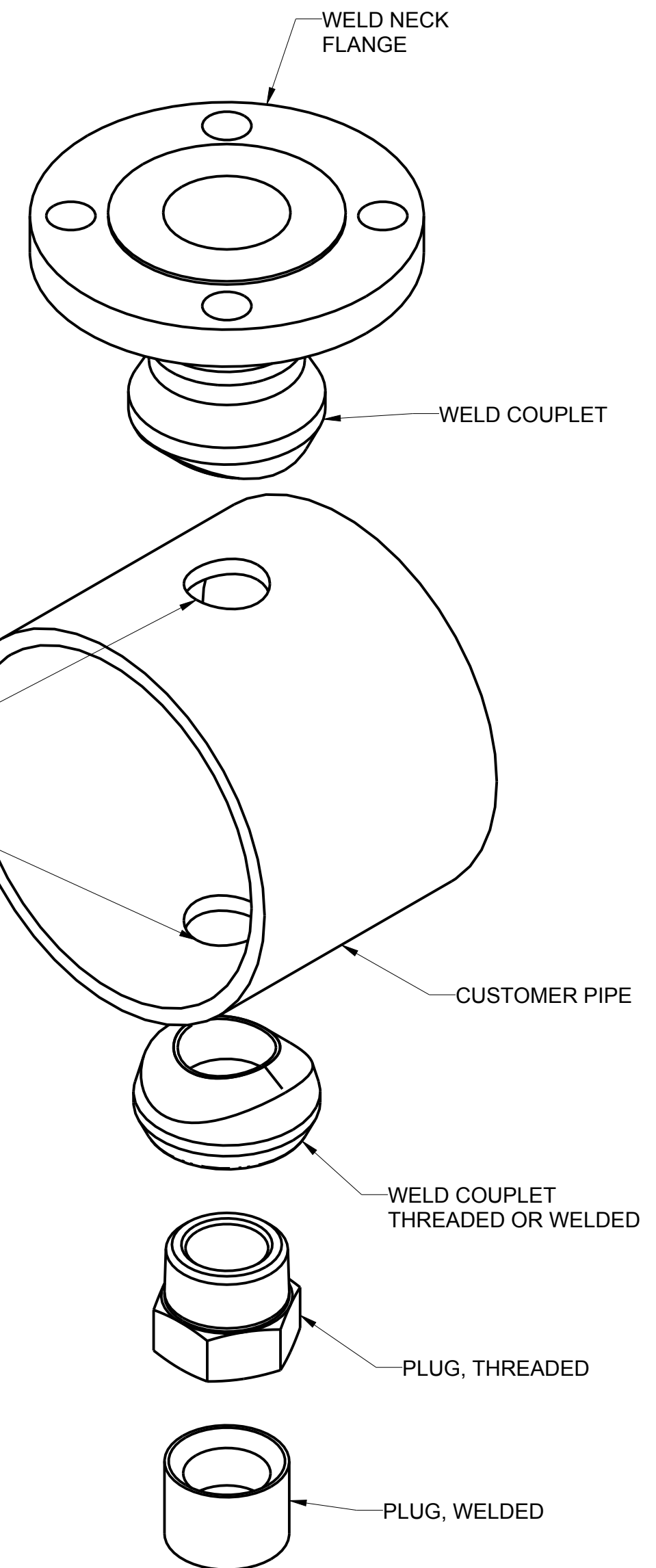


TABLE 6 : SENSOR SIZE HOLE CHART		
SENSOR SIZE	DIAMETER	TOLERANCE
1	3/4-in. [19]	+ 1/32-in. [0,8] / -0.00
2	1 5/16-in. [34]	+ 1/16-in. [1,6] / -0.00
3	2 1/2-in. [64]	+ 1/16-in [1,6] / -0.00



SENSOR SIZE 3 WELD PLUG



FLANGE MOUNTING TYPE WITH OPPOSITE SIDE SUPPORT

NOTES THIS SHEET:

1. ANSI FLANGE DIMENSIONS SHOWN ARE FOR RAISED FACE FLANGES.

ROSEMOUNT[®]
BOULDER, COLORADO

DR	J.RUMSEY	04/22/10
APP'D	D.VERHAAGEN	05/05/10

SIZE A	DRAWING NO.	00485-1000
SCALE : NONE	SHEET: 3	of 7

FLANGE BOLT HOLES STRADDLE
PIPE CENTER LINE

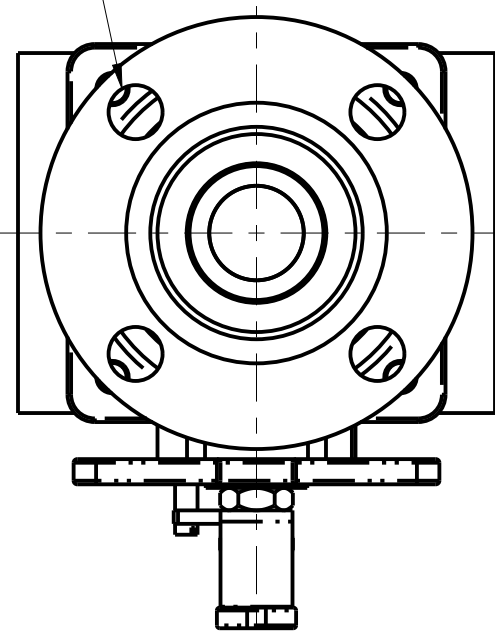


TABLE 7: FLANGE FLO-TAP MOUNTING DIMENSIONS

SENSOR SIZE	SENSOR FLANGE SIZE	DIMENSION A	DIMENSION B	# BOLT HOLES	DIMENSION C	BOLT SIZE
1	1-1/2 - 150#	3.88-in. [98,6]	5.00-in. [127,0]	4	10.50-in. [266,7]	1/2 - 13
1	1-1/2 - 300#	4.13-in. [104,9]	6.12-in. [155,4]	4	11.75-in. [298,5]	3/4 - 10
1	1-1/2 - 600#	4.44-in. [112,8]	6.12-in. [155,4]	4	14.06-in. [357,2]	3/4 - 10
2	2 - 150#	4.13-in. [104,9]	6.00-in. [152,4]	4	11.25-in. [285,8]	5/8 - 11
2	2 - 300#	4.38-in. [111,3]	6.50-in. [165,1]	8	13.00-in. [330,2]	5/8 - 11
2	2 - 600#	4.75-in. [120,7]	6.50-in. [165,1]	8	16.38-in. [416,0]	5/8 - 11
3	3 - 150#	4.63-in. [117,6]	7.50-in. [190,5]	4	12.75-in. [323,9]	5/8 - 11
3	3 - 300#	5.00-in. [127,0]	8.25-in. [209,6]	8	16.25-in. [412,8]	3/4 - 10
3	3 - 600#	5.38-in. [136,7]	8.25-in. [209,6]	8	19.50-in. [495,3]	3/4 - 10
1	DN40 PN16	3.09-in. [78,5]	5.91-in. [150,1]	4	-	5/8 - 11
1	DN40 PN40	3.21-in. [81,5]	5.91-in. [150,1]	4	-	5/8 - 11
1	DN40 PN100	3.88-in [98,6]	6.69-in. [169,9]	4	-	3/4 - 10
2	DN50 PN16	3.40-in [86,4]	6.50-in. [165,1]	4	-	5/8 - 11
2	DN50 PN40	3.52-in. [89,4]	6.50-in. [165,1]	4	-	5/8 - 11
2	DN50 PN100	4.30-in [109,2]	7.68-in. [195,1]	4	-	7/8 - 9
3	DN80 PN16	3.85-in [97,8]	7.87-in. [199,9]	8	-	5/8 - 11
3	DN80 PN40	4.16-in [105,7]	7.87-in. [199,9]	8	-	5/8 - 11
3	DN80 PN100	4.95-in [125,7]	9.06-in. [231,1]	8	-	7/8 - 9

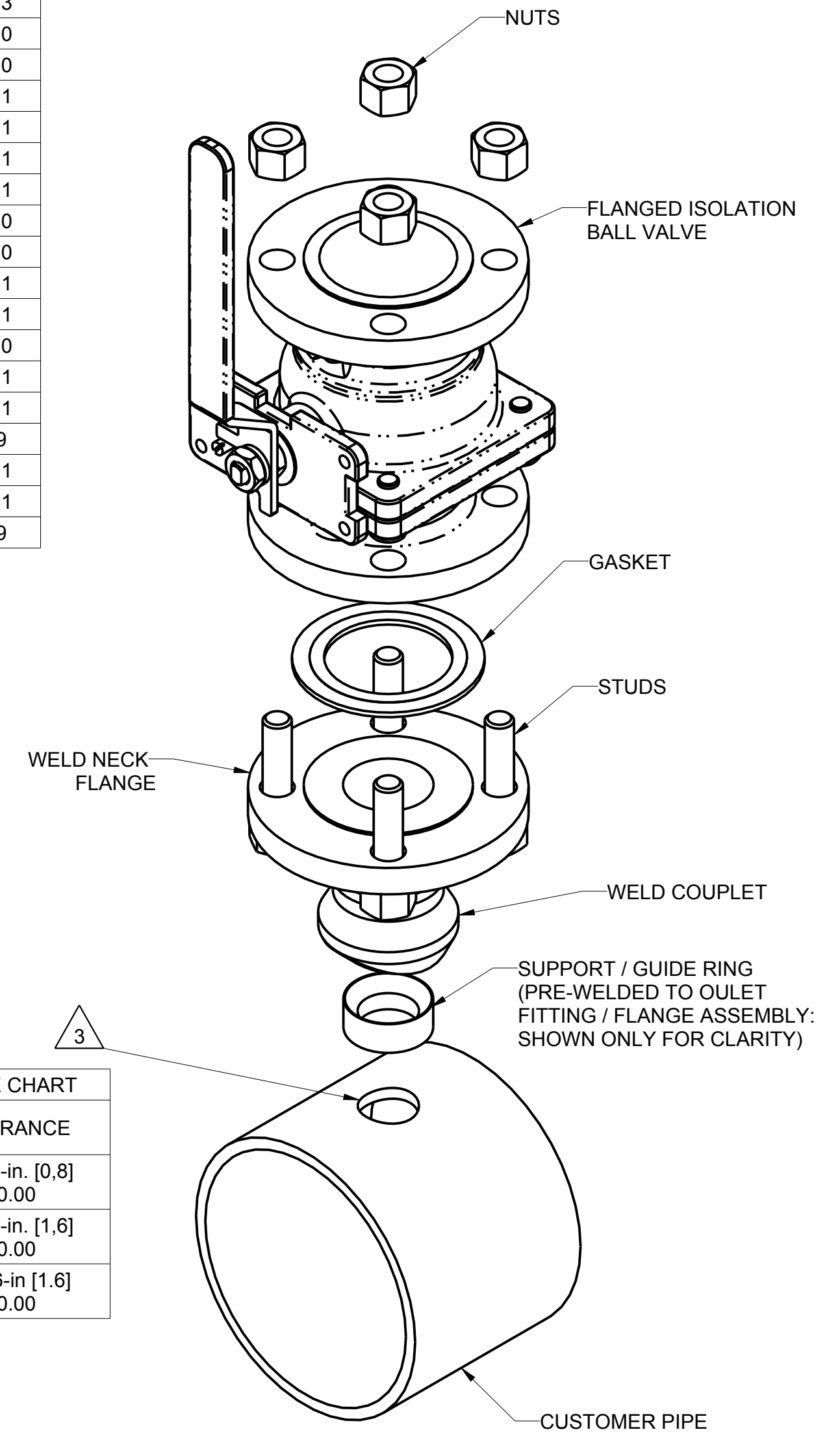
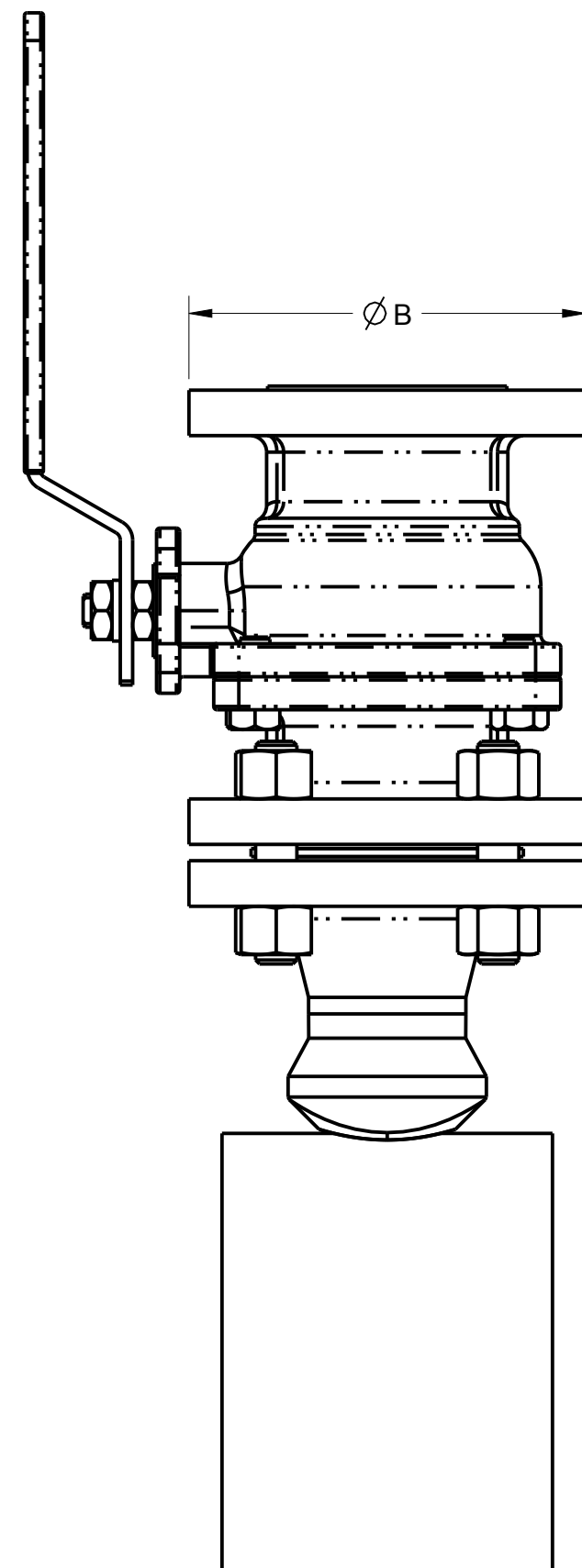
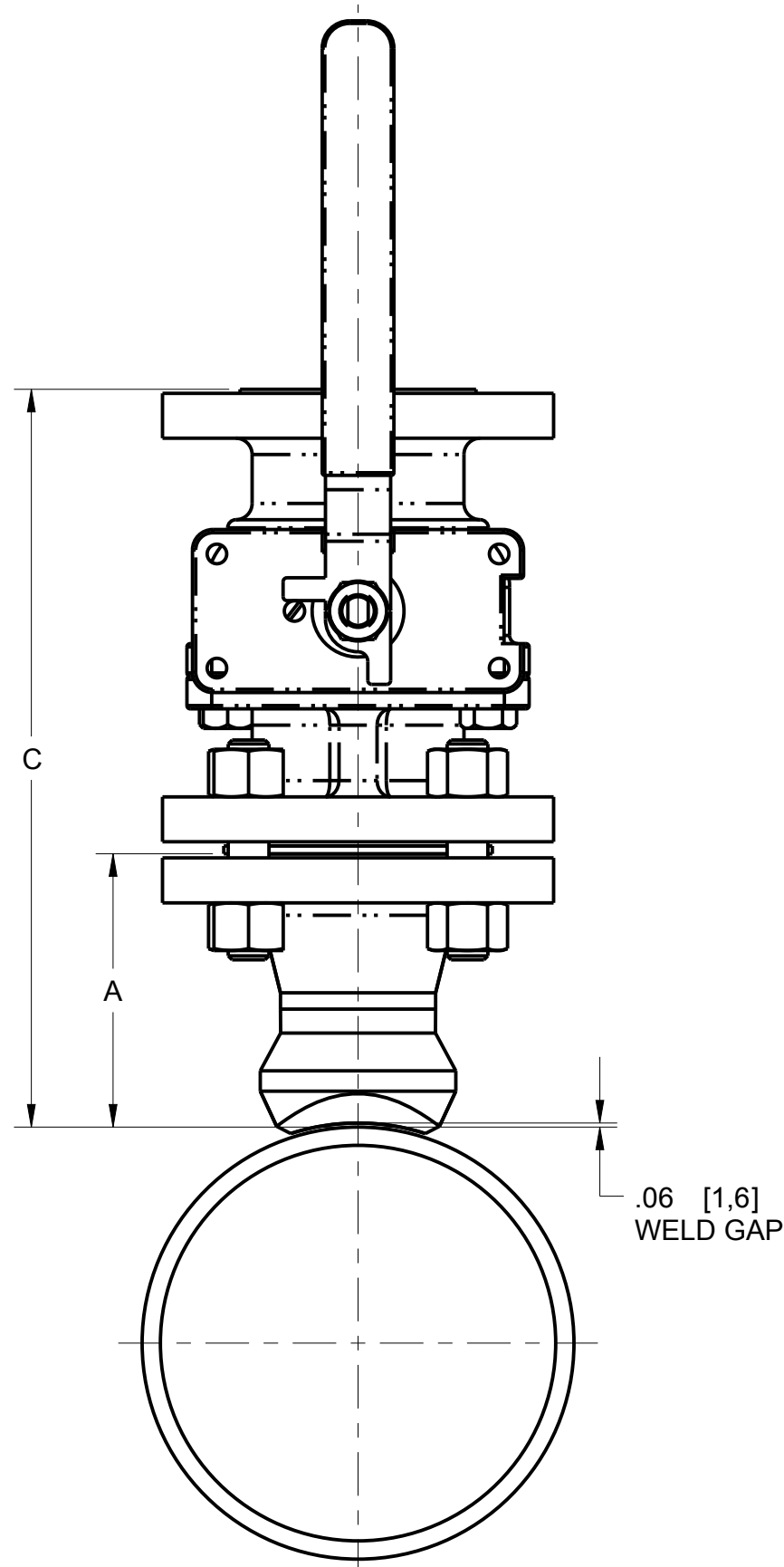


TABLE 8 : SENSOR SIZE HOLE CHART

SENSOR SIZE	DIAMETER	TOLERANCE
1	3/4-in. [19]	+ 1/32-in. [0,8] / -0.00
2	1 5/16-in [34]	+ 1/16-in. [1,6] / -0.00
3	2 1/2-in. [64]	+ 1/16-in [1,6] / -0.00

FLANGED FLO-TAP MOUNTING TYPE
BALL VALVE

NOTES THIS SHEET:

1. ANSI FLANGE DIMENSIONS SHOWN ARE FOR RAISED FACE FLANGES.

ROSEMOUNT[®]
BOULDER, COLORADO

DR	J.RUMSEY	04/22/10
APP'D	D.VERHAAGEN	05/05/10

SIZE A	DRAWING NO.	00485-1000
SCALE : NONE	SHEET: 4	of 7

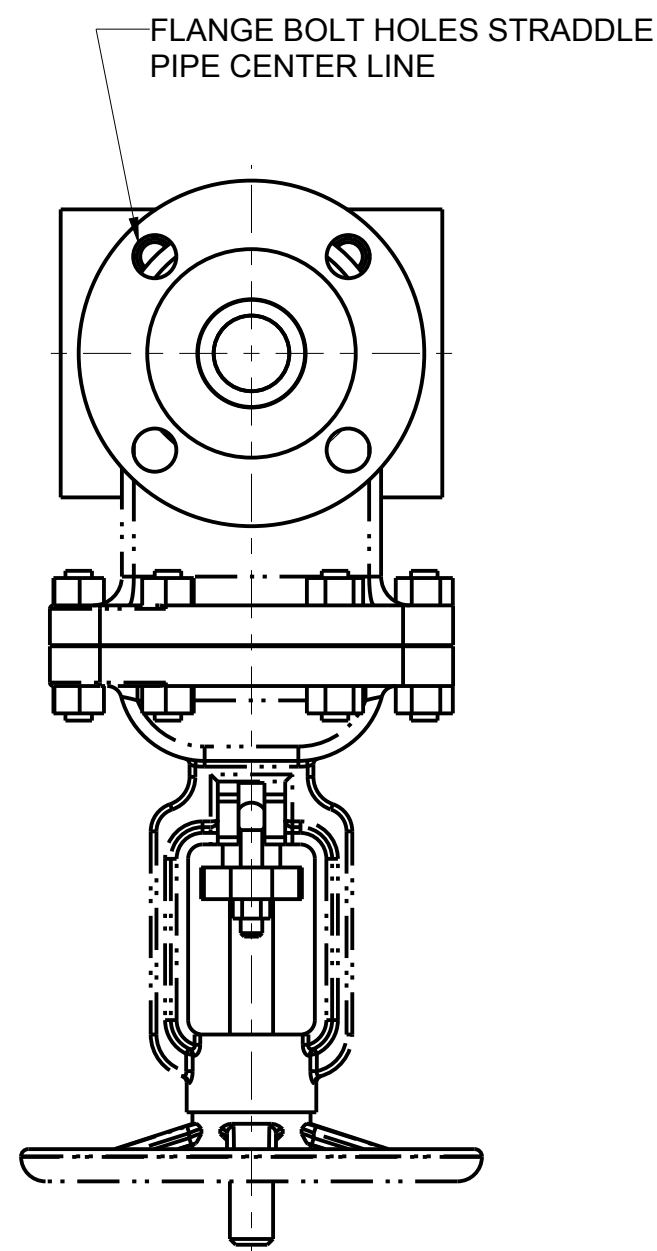


TABLE 9: FLANGE FLO-TAP MOUNTING DIMENSIONS

SENSOR SIZE	SENSOR FLANGE SIZE	DIMENSION A	DIMENSION B	# BOLT HOLES	DIMENSION C	BOLT SIZE
1	1-1/2 - 150#	3.88-in. [98,6]	5.00-in. [127,0]	4	10.50-in. [266,7]	1/2 - 13
1	1-1/2 - 300#	4.13-in. [104,9]	6.12-in. [155,4]	4	11.75-in. [298,5]	3/4 - 10
1	1-1/2 - 600#	4.44-in. [112,8]	6.12-in. [155,4]	4	14.06-in. [357,2]	3/4 - 10
2	2 - 150#	4.13-in. [104,9]	6.00-in. [152,4]	4	11.25-in. [285,8]	5/8 - 11
2	2 - 300#	4.38-in. [111,3]	6.50-in. [165,1]	8	13.00-in. [330,2]	5/8 - 11
2	2 - 600#	4.75-in. [120,7]	6.50-in. [165,1]	8	16.38-in. [416,0]	5/8 - 11
3	3 - 150#	4.63-in. [117,6]	7.50-in. [190,5]	4	12.75-in. [323,9]	5/8 - 11
3	3 - 300#	5.00-in. [127,0]	8.25-in. [209,6]	8	16.25-in. [412,8]	3/4 - 10
3	3 - 600#	5.38-in. [136,7]	8.25-in. [209,6]	8	19.50-in. [495,3]	3/4 - 10
1	DN40 PN16	3.09-in. [78,5]	5.91-in. [150,1]	4	-	5/8 - 11
1	DN40 PN40	3.21-in. [81,5]	5.91-in. [150,1]	4	-	5/8 - 11
1	DN40 PN100	3.88-in [98,6]	6.69-in. [169,9]	4	-	3/4 - 10
2	DN50 PN16	3.40-in [86,4]	6.50-in. [165,1]	4	-	5/8 - 11
2	DN50 PN40	3.52-in. [89,4]	6.50-in. [165,1]	4	-	5/8 - 11
2	DN50 PN100	4.30-in [109,2]	7.68-in. [195,1]	4	-	7/8 - 9
3	DN80 PN16	3.85-in [97,8]	7.87-in. [199,9]	8	-	5/8 - 11
3	DN80 PN40	4.16-in [105,7]	7.87-in. [199,9]	8	-	5/8 - 11
3	DN80 PN100	4.95-in [125,7]	9.06-in. [231,1]	8	-	7/8 - 9

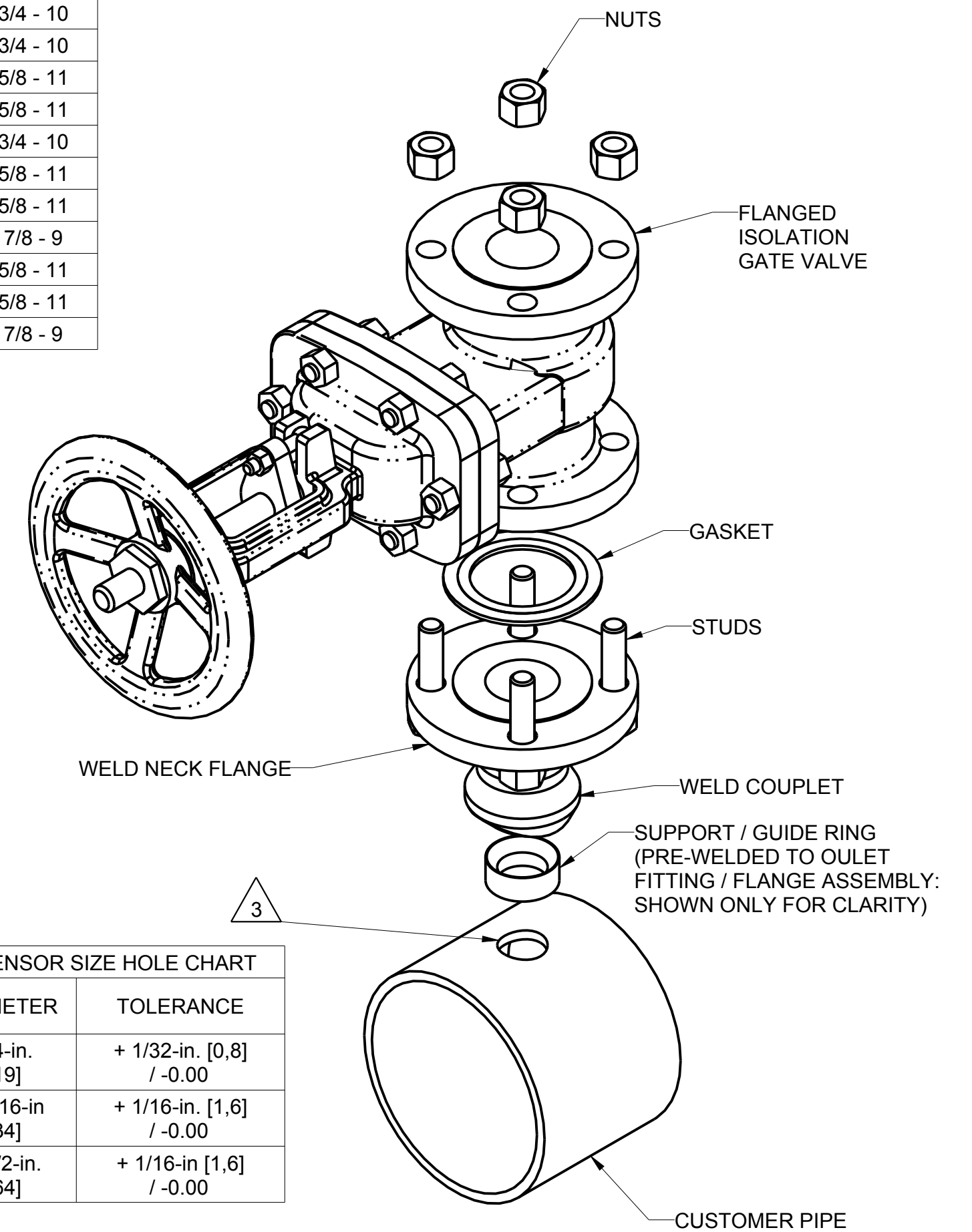
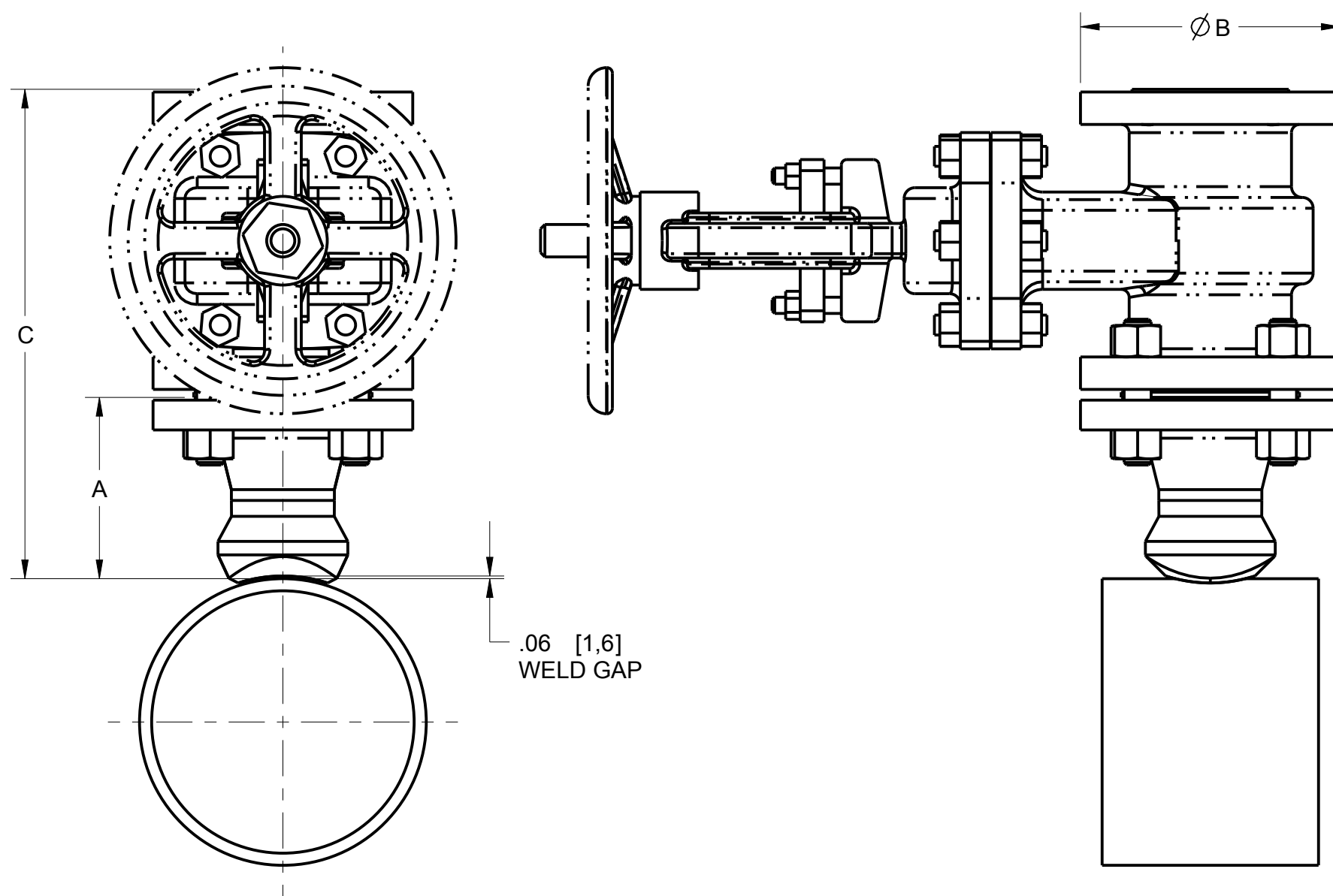


TABLE 10 : SENSOR SIZE HOLE CHART

SENSOR SIZE	DIAMETER	TOLERANCE
1	3/4-in. [19]	+ 1/32-in. [0,8] / -0.00
2	1 5/16-in [34]	+ 1/16-in. [1,6] / -0.00
3	2 1/2-in. [64]	+ 1/16-in [1,6] / -0.00

FLANGED FLO-TAP MOUNTING TYPE GATE VALVE

NOTES THIS SHEET:

- ANSI FLANGE DIMENSIONS SHOWN ARE FOR RAISED FACE FLANGES.

ROSEMOUNT[®]
BOULDER, COLORADO

DR J.RUMSEY 04/22/10

APP'D D.VERHAAGEN 05/05/10

SIZE A	DRAWING NO.	00485-1000
SCALE : NONE	SHEET: 5	of 7

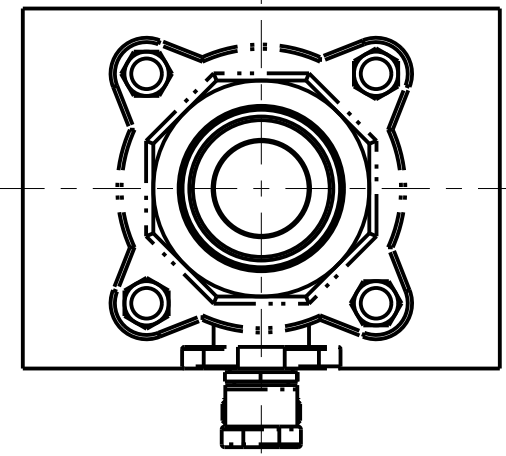


TABLE 11 : THREADED FLO-TAP MOUNTING DIMENSIONS

SENSOR SIZE	DIMENSION A
1	7.51 [190,9]
2	8.17 [207,5]

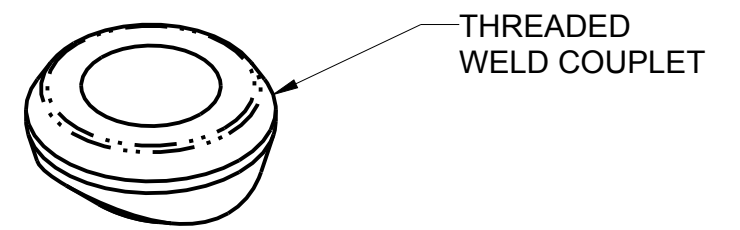
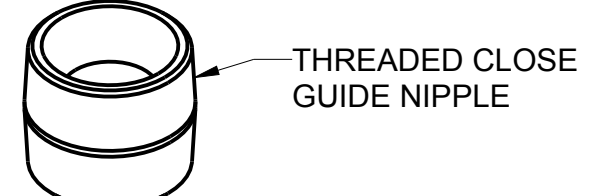
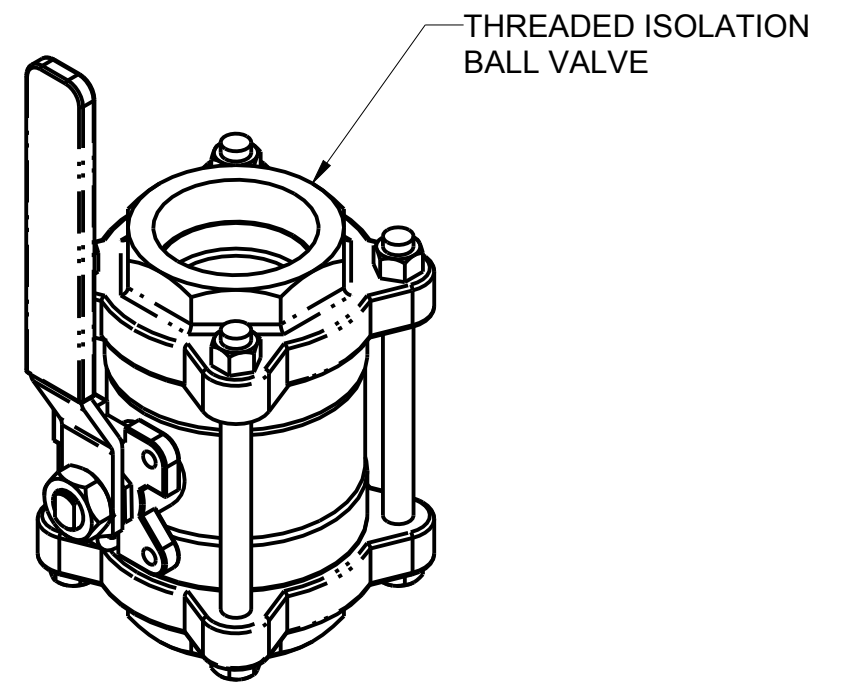
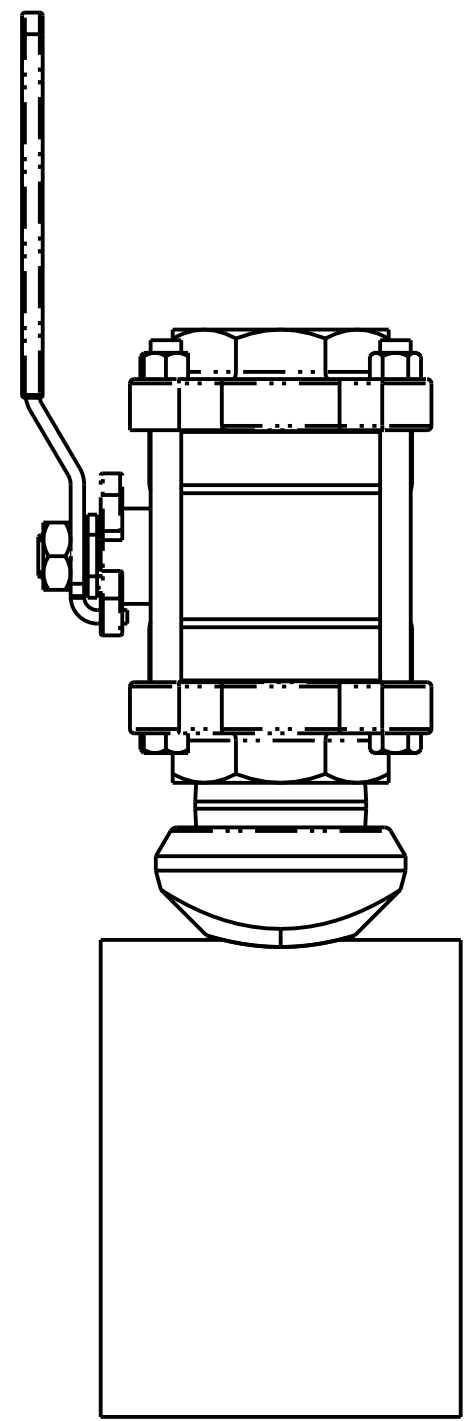
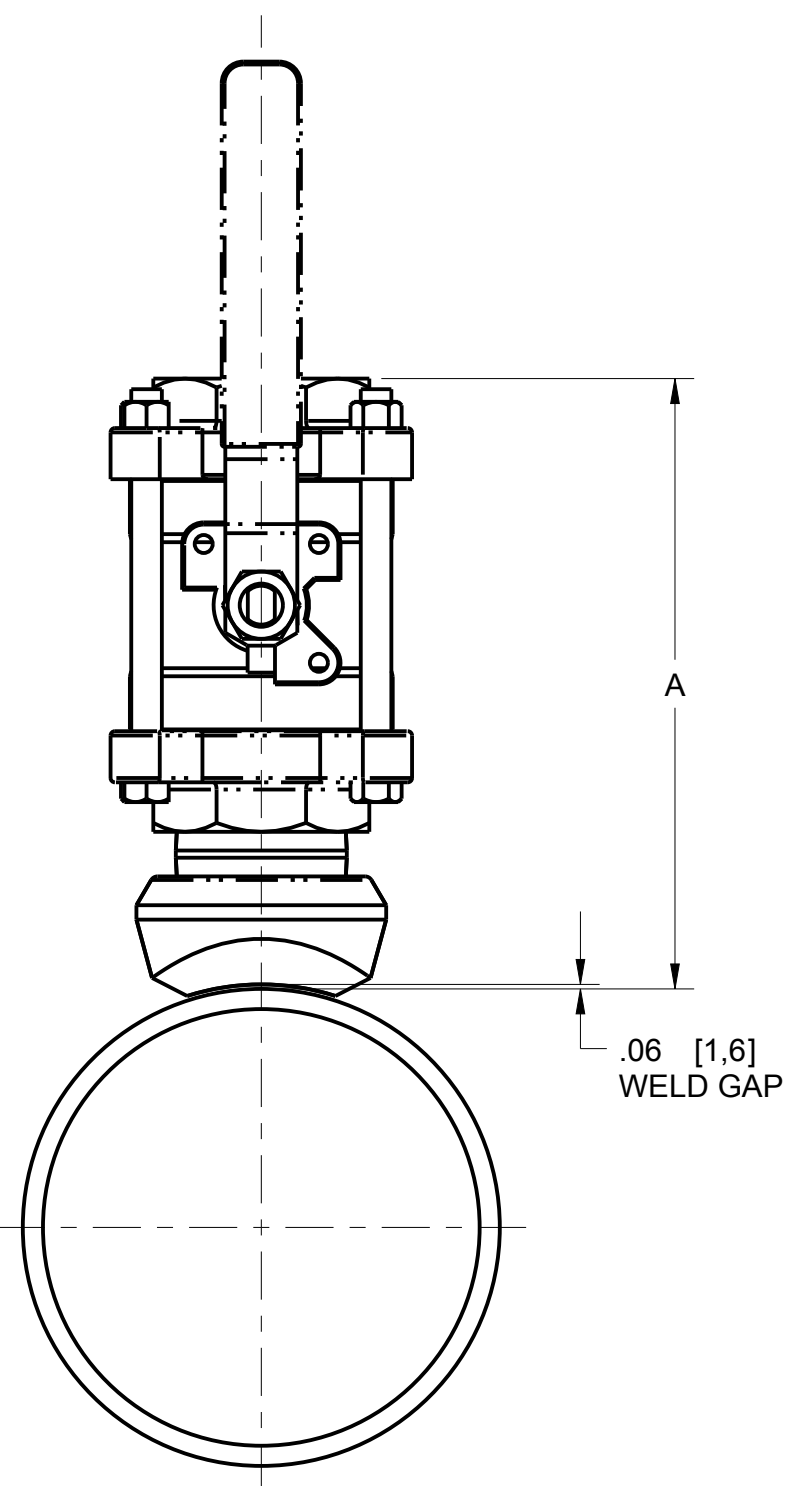
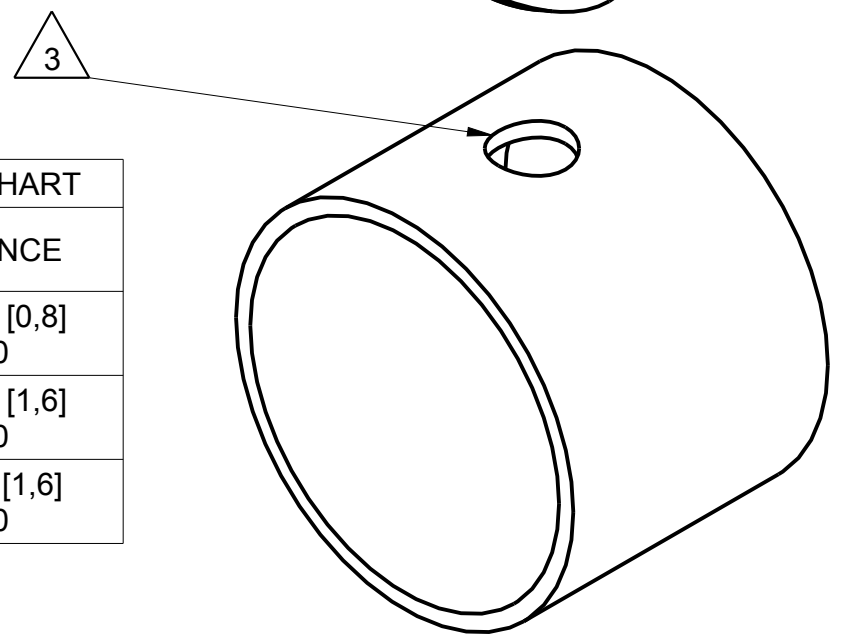


TABLE 12 : SENSOR SIZE HOLE CHART

SENSOR SIZE	DIAMETER	TOLERANCE
1	3/4-in. [19]	+ 1/32-in. [0,8] / -0.00
2	1 5/16-in [34]	+ 1/16-in. [1,6] / -0.00
3	2 1/2-in. [64]	+ 1/16-in [1,6] / -0.00



THREADED FLO-TAP MOUNTING TYPE BALL VALVE

ROSEMOUNT[®]
BOULDER, COLORADO

DR	J.RUMSEY	04/22/10	SIZE A	DRAWING NO.	00485-1000
APP'D	D.VERHAAGEN	05/05/10	SCALE : NONE	SHEET: 6	of 7

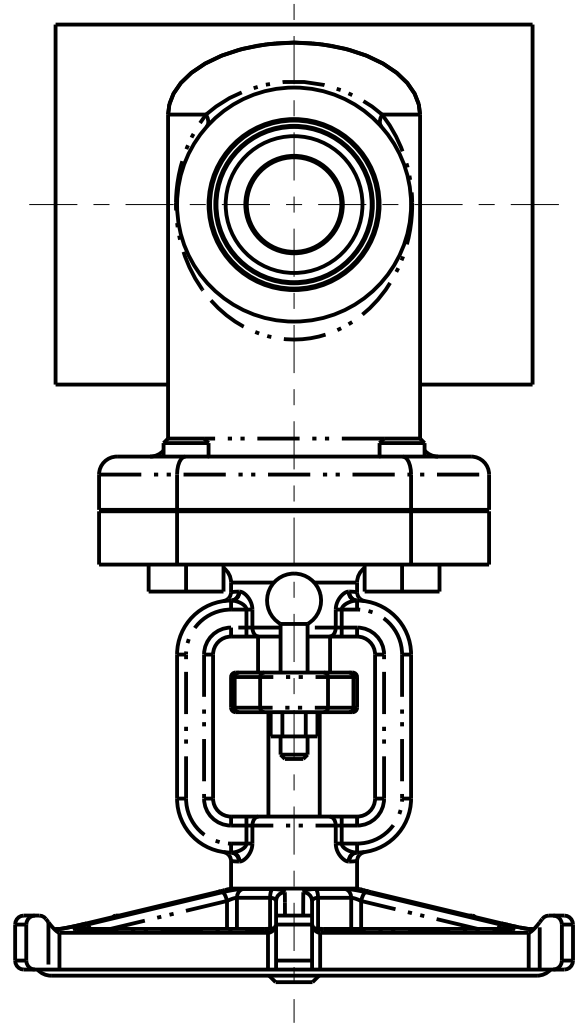


TABLE 13 : THREADED FLO-TAP MOUNTING DIMENSIONS

SENSOR SIZE	DIMENSION A
1	7.51 [190,9]
2	8.17 [207,5]

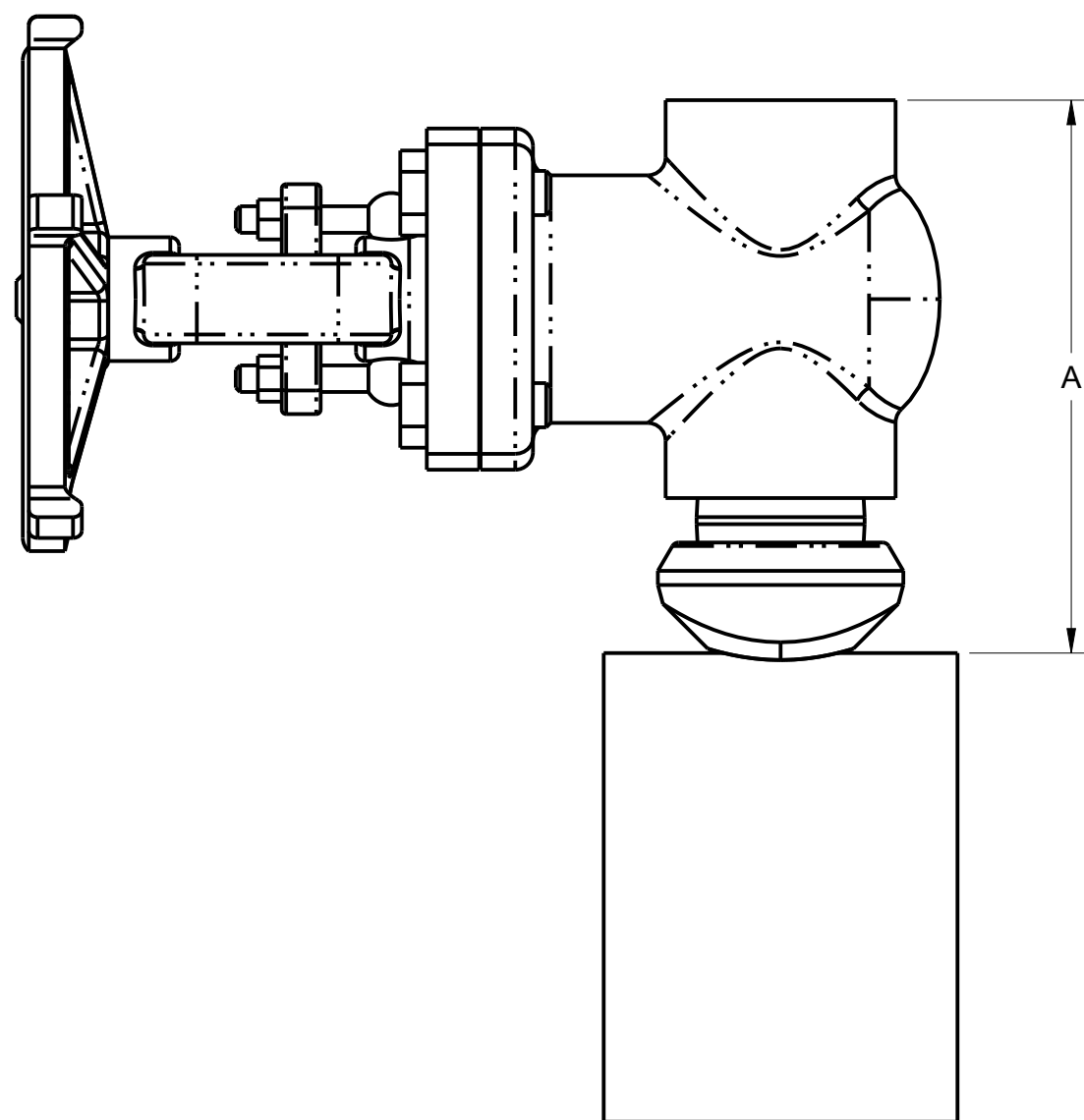
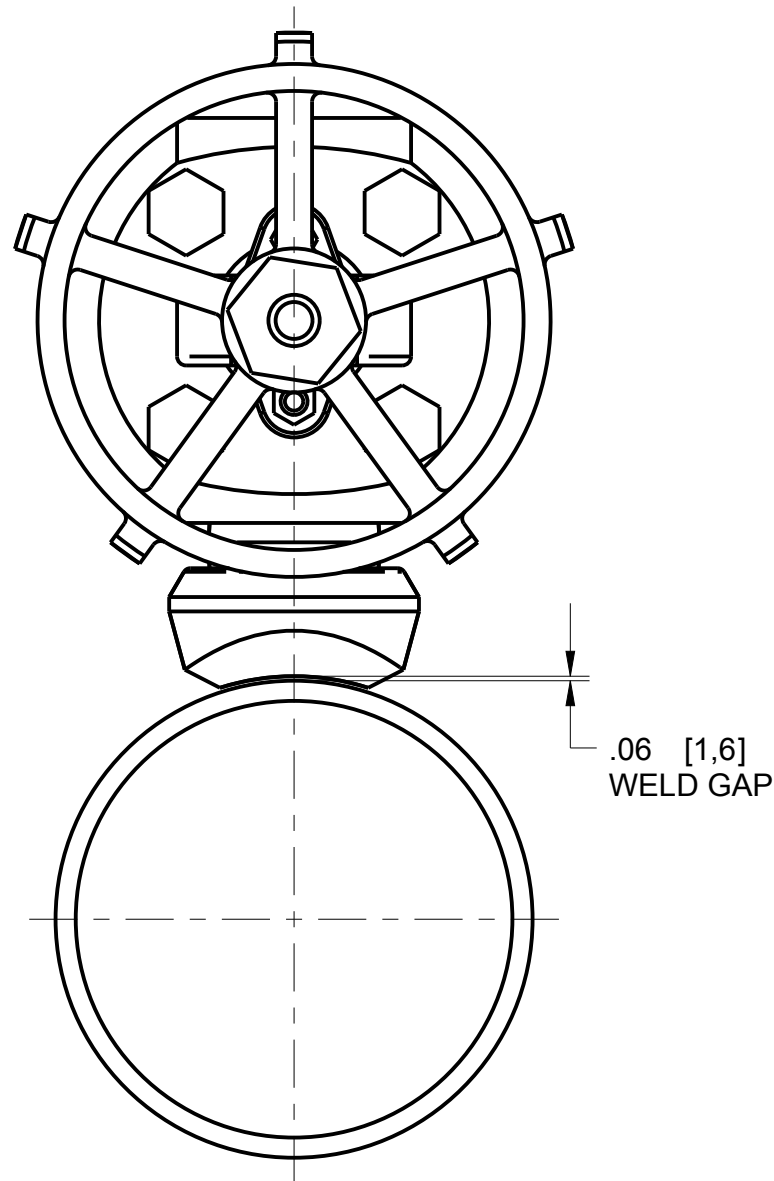
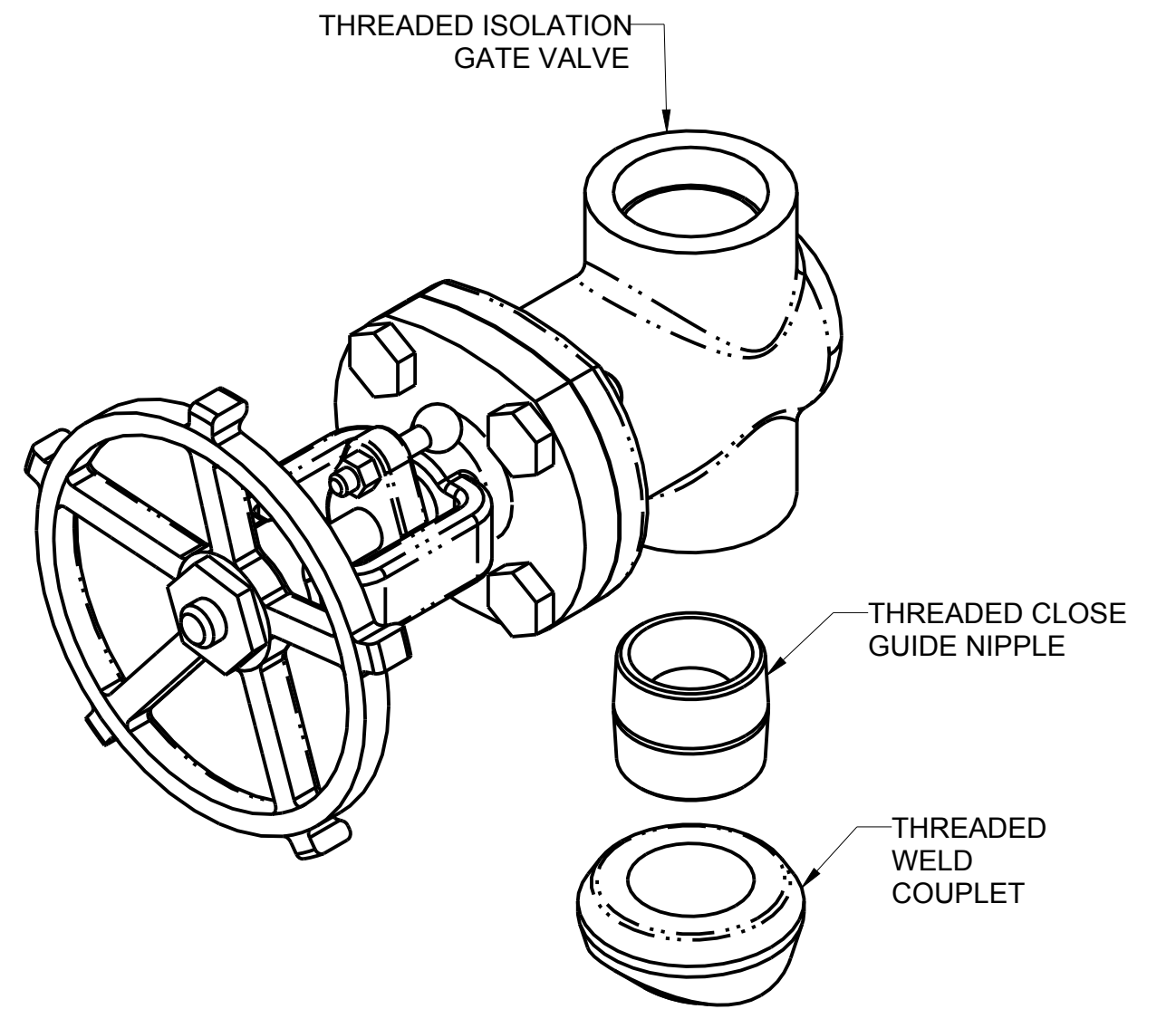
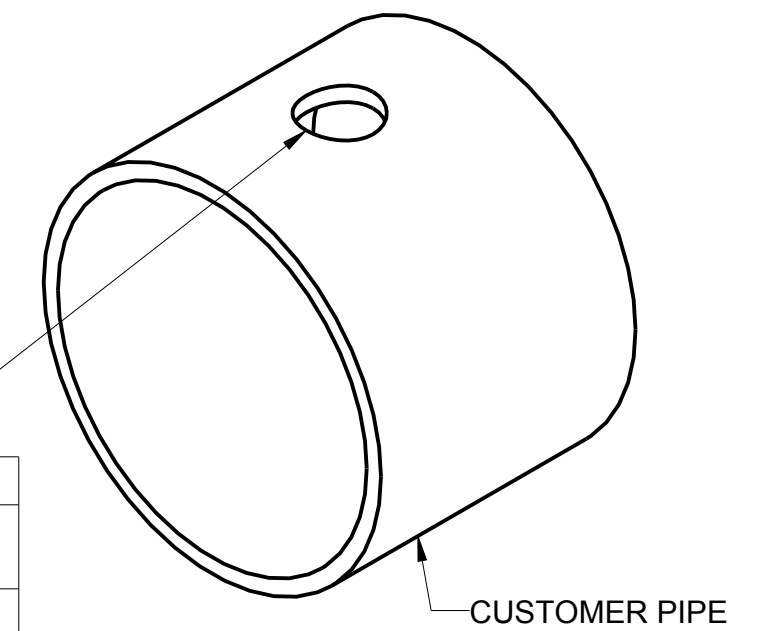


TABLE 14 : SENSOR SIZE HOLE CHART

SENSOR SIZE	DIAMETER	TOLERANCE
1	3/4-in. [19]	+ 1/32-in. [0,8] / -0.00
2	1 5/16-in. [34]	+ 1/16-in. [1,6] / -0.00
3	2 1/2-in. [64]	+ 1/16-in [1,6] / -0.00



THREADED FLO-TAP MOUNTING TYPE GATE VALVE

ROSEMOUNT[®]

BOULDER, COLORADO

DR J.RUMSEY 04/22/10

APP'D D.VERHAAGEN 05/05/10

SIZE A

DRAWING NO.

00485-1000

SCALE : NONE

SHEET: 7 of 7