

INTEGRAL DISPLAY  
(OPTIONAL)

GROUND CONNECTION

TANK FLANGE

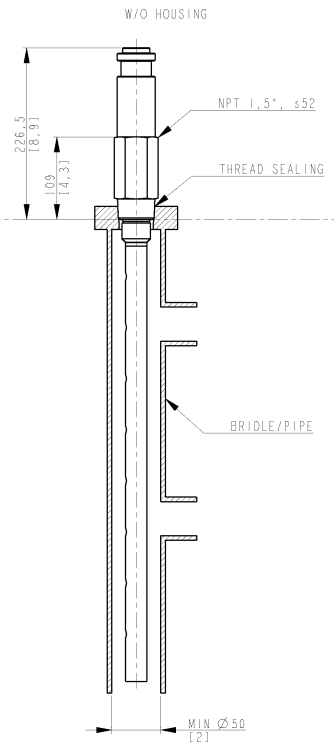
METALLIC CONTACT WITH  
NOZZLE OR TANK ALLOWED

∅28  
[1,1]

TOTAL PROBE LENGTH

MIN. 5  
[0,2]

DEPENDS ON TURBULENCE IN TANK  
AND MOUNTING ANGLE THE PROBE MAY  
NEED TO BE ANCHORED OR SUPPORTED.



W/O HOUSING

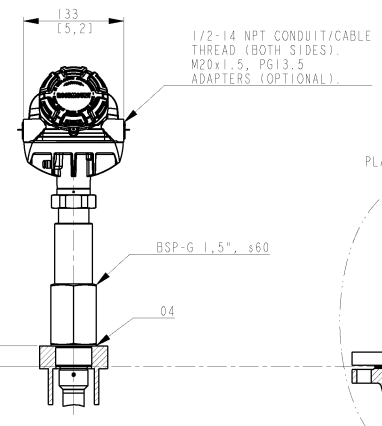
NPT 1,5", s52

THREAD SEALING

BRIDLE/PIPE

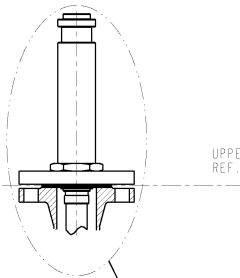
MIN ∅50  
[2]

FOR MORE INFO, SEE  
REFERENCE MANUAL.

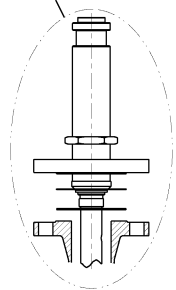


1/2-14 NPT CONDUIT/CABLE  
THREAD (BOTH SIDES).  
M20x1,5, PG13,5  
ADAPTERS (OPTIONAL).

PLATE DESIGN



UPPER  
REF. POINT



I. P/T-RATING FOR FLANGE; SEE REF. MANUAL.

04	GASKET	I	ACC. TO BSP-G THREAD STD.	CUSTOMER
03	GASKET	I	SOFT GASKET T-MIN 1,6 (ANSI B16.5/16, EN1514-1/1BC), SPIRAL WOUND GASKET WITH NON METALLIC FILLER (ANSI B16.5/16, EN1514-2), SEE NOTE 1.	CUSTOMER
02	SCREW/NUT/WASHER	-	ACC. TO FLANGE STD, SEE NOTE 1.	CUSTOMER
01	FLANGE	I	DIM. ACC. TO ANSI B 16.5/EN 1092-1, OTHER ON REQUEST. P/T RATING, SEE NOTE 1.	RMT
POS	ITEM DESCRIPTION	QTY	REMARK	SUPPLIER

ISSUED BY	MEK	PRODUCT CODE	FILE	INSTALLATION DRAWING TITLE
Eme-HW-C	0909	5300	PRO/E	MECHANICAL INSTALLATION DWG
APPROVED BY	MEK	(ORIGINAL DWS. NO.)	SCALE	COAXIAL LEAD HTHP
Eme-HF	0909	9240017-996	-	
<b>ROSEMOUNT</b>		T ST ANGLE	DOC TYPE	DWG NO
		2	2	9240017-996
				ISSUE SHEET
				02 1/1

THE COPYRIGHT/OWNERSHIP OF THIS DOCUMENT IS AND WILL REMAIN OURS. THE DOCUMENT MUST NOT BE USED WITHOUT OUR AUTHORIZATION OR BROUGHT TO THE KNOWLEDGE OF A THIRD PARTY. CONTRAVENTION WILL BE PROSECUTED. ROSEMOUNT TANK-RADAR AB, SWEDEN