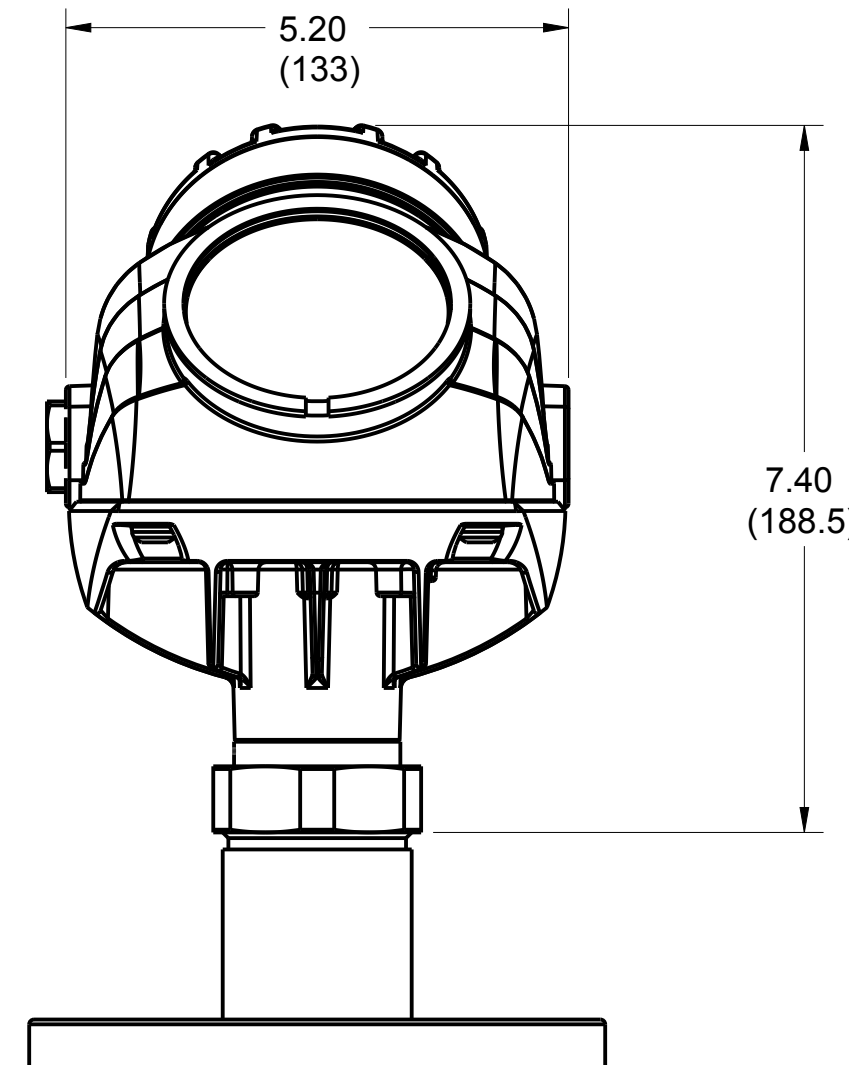
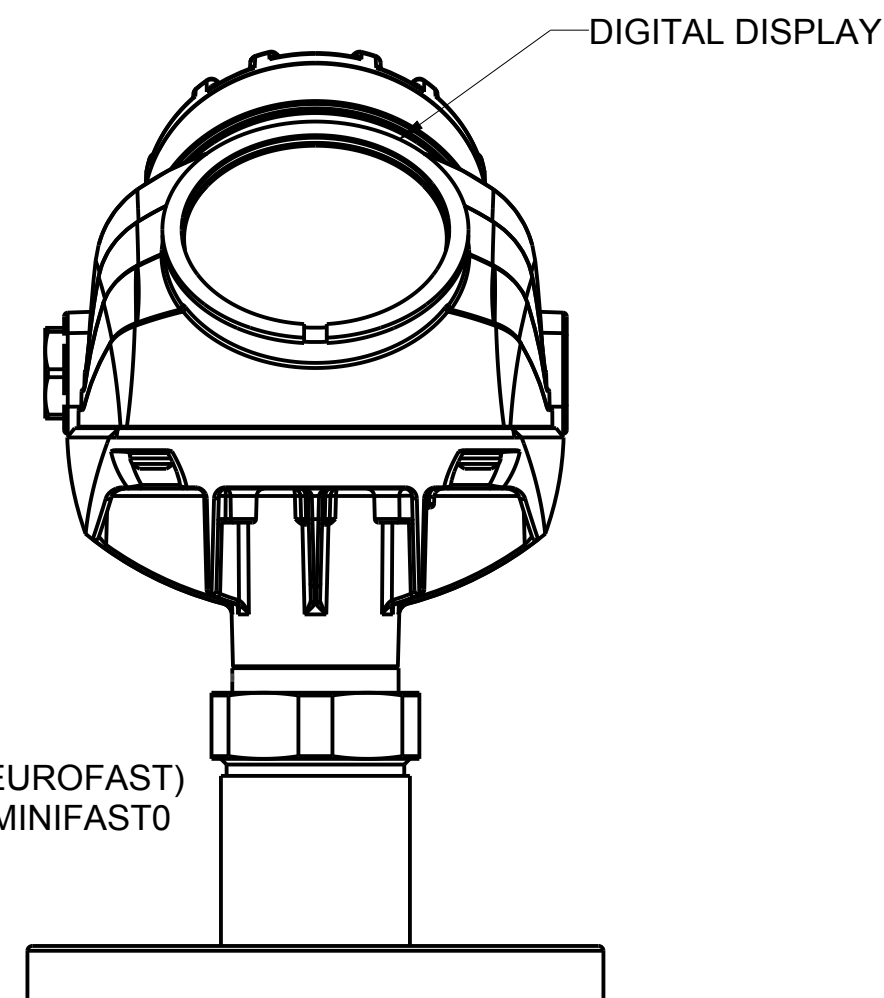
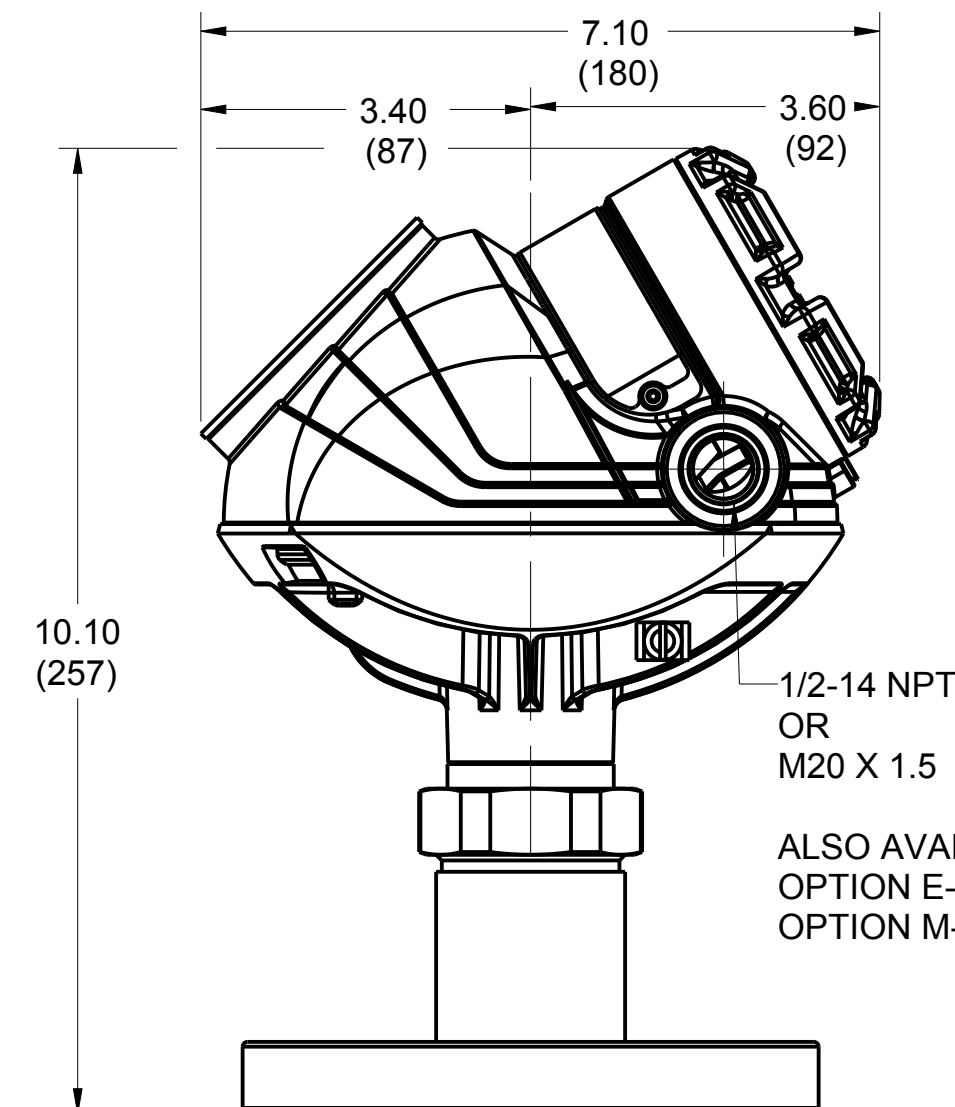


ROSEMOUNT 5303 GUIDED WAVE SOLIDS LEVEL TRANSMITTER

REVISION TABLE			
REVISION	ECO NO.	APP'D	DATE
AA	RTC1064297	T. Soderman	1/5/16
DESCRIPTION			
NEW RELEASE			

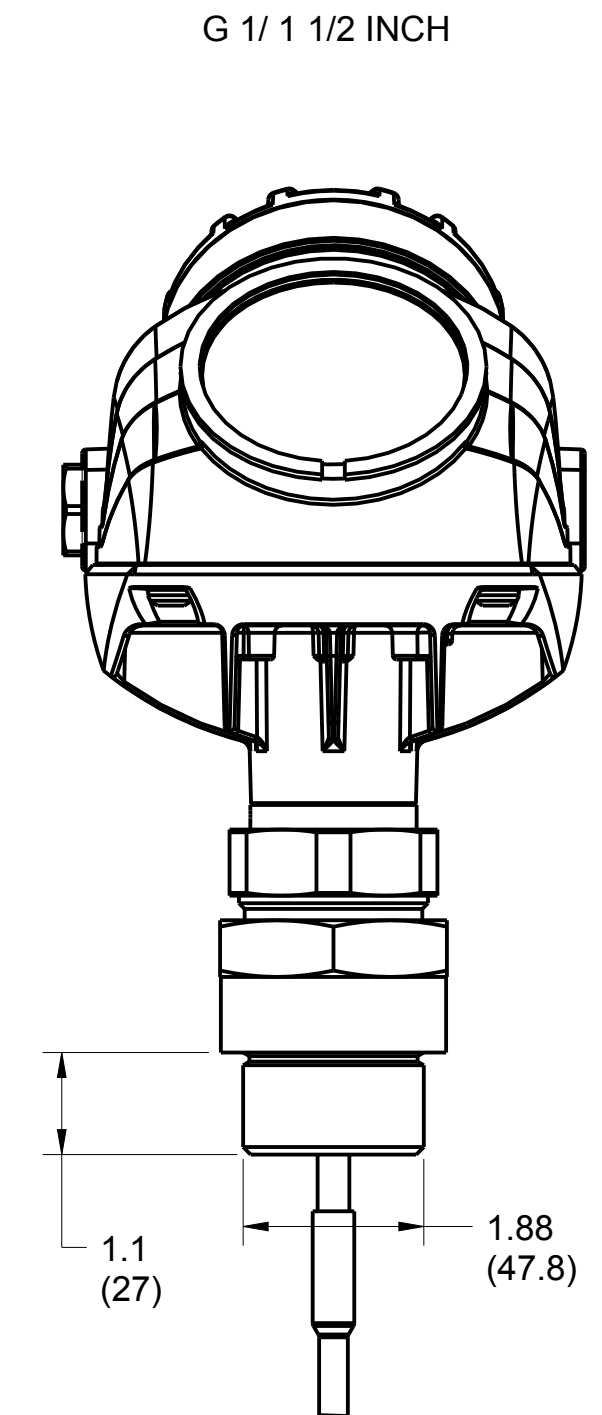
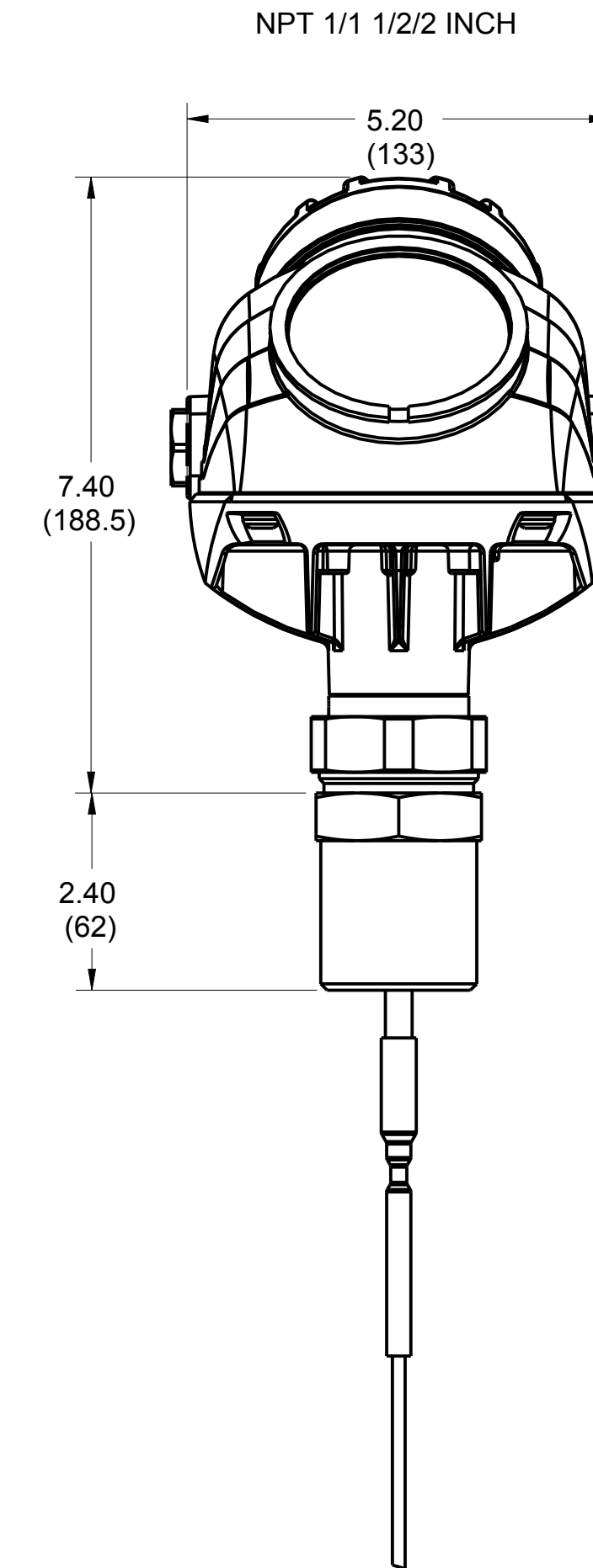
FLEXIBLE SINGLE LEAD WITH WEIGHT FLANGE STYLE PROCESS CONNECTION



1/2-14 NPT
OR
M20 X 1.5

ALSO AVAILABLE:
OPTION E-MALE CONNECTOR (EUROFAST)
OPTION M-MALE CONNECTOR (MINIFASTO)

FLEXIBLE SINGLE LEAD WITH WEIGHT THREAD TYPE PROCESS CONNECTION



3.9 (100) for 4mm probe
or 5.9 (150) for 6mm probe
STANDARD STUD

9.80
(250)
LONG STUD
(OPTION LS)

L ≥ 64 FT (50m)

4mm SST PROBE

4mm or 6mm SST PROBE

CHUCK WEIGHT (OPTION 5B AND 6B)

SHORT WEIGHT
(OPTION W2)

HEAVY WEIGHT
(OPTION W3)

STD WEIGHT

4 mm or 6mm PROBE
5.50 (140)
Ø .86 (22) 4mm SST PROBE
Ø 1.10 (28) 6 mm SST PROBE
(AVAILABLE WITH OPTION 5A/6A)

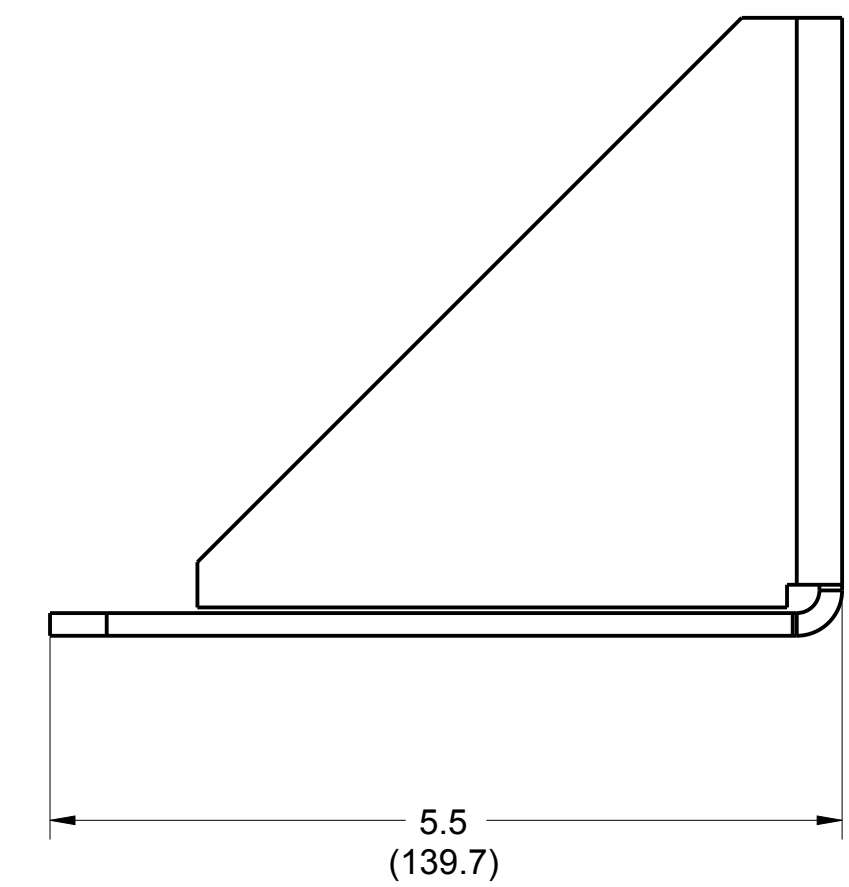
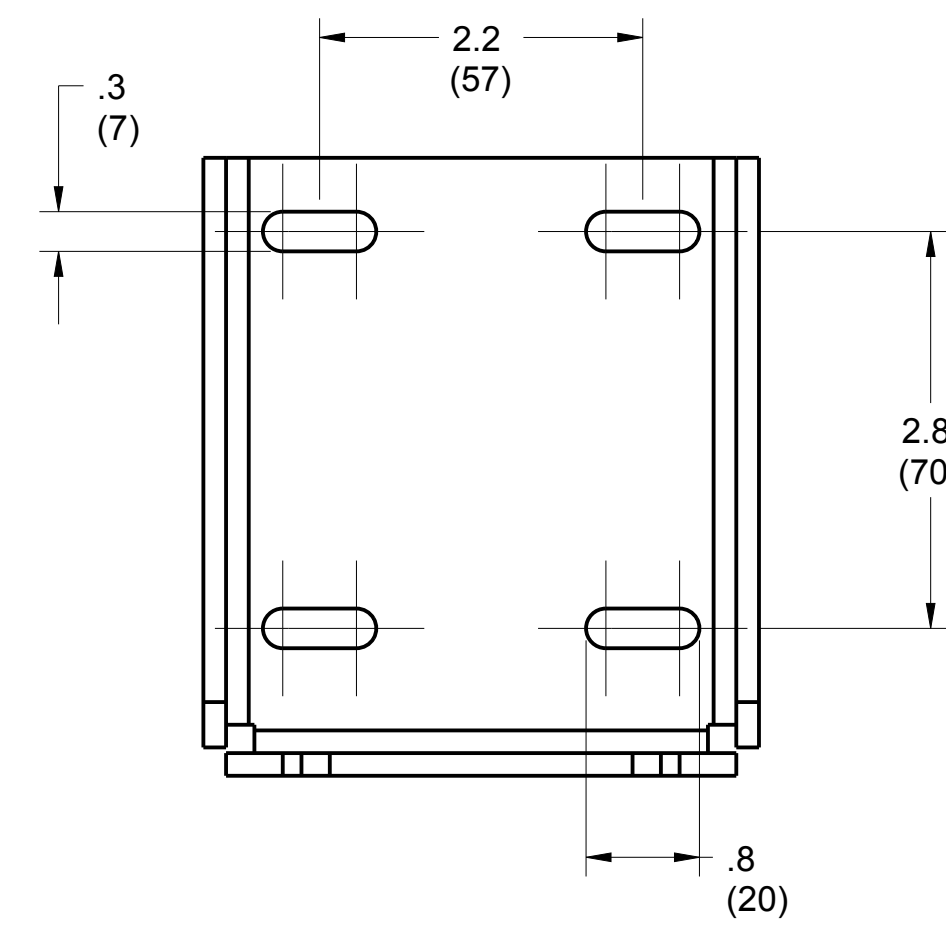
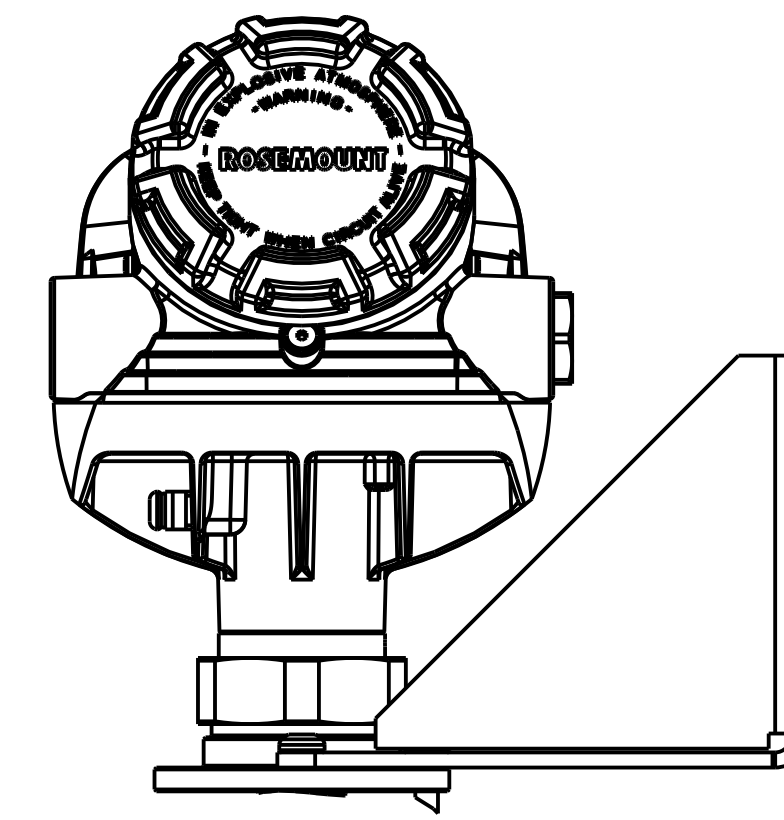
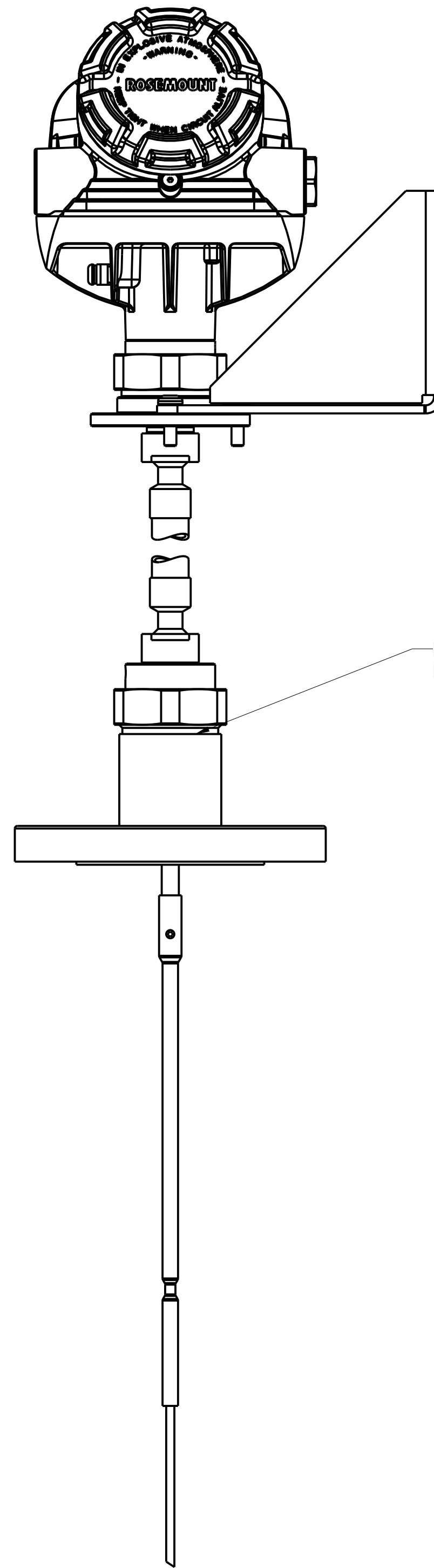
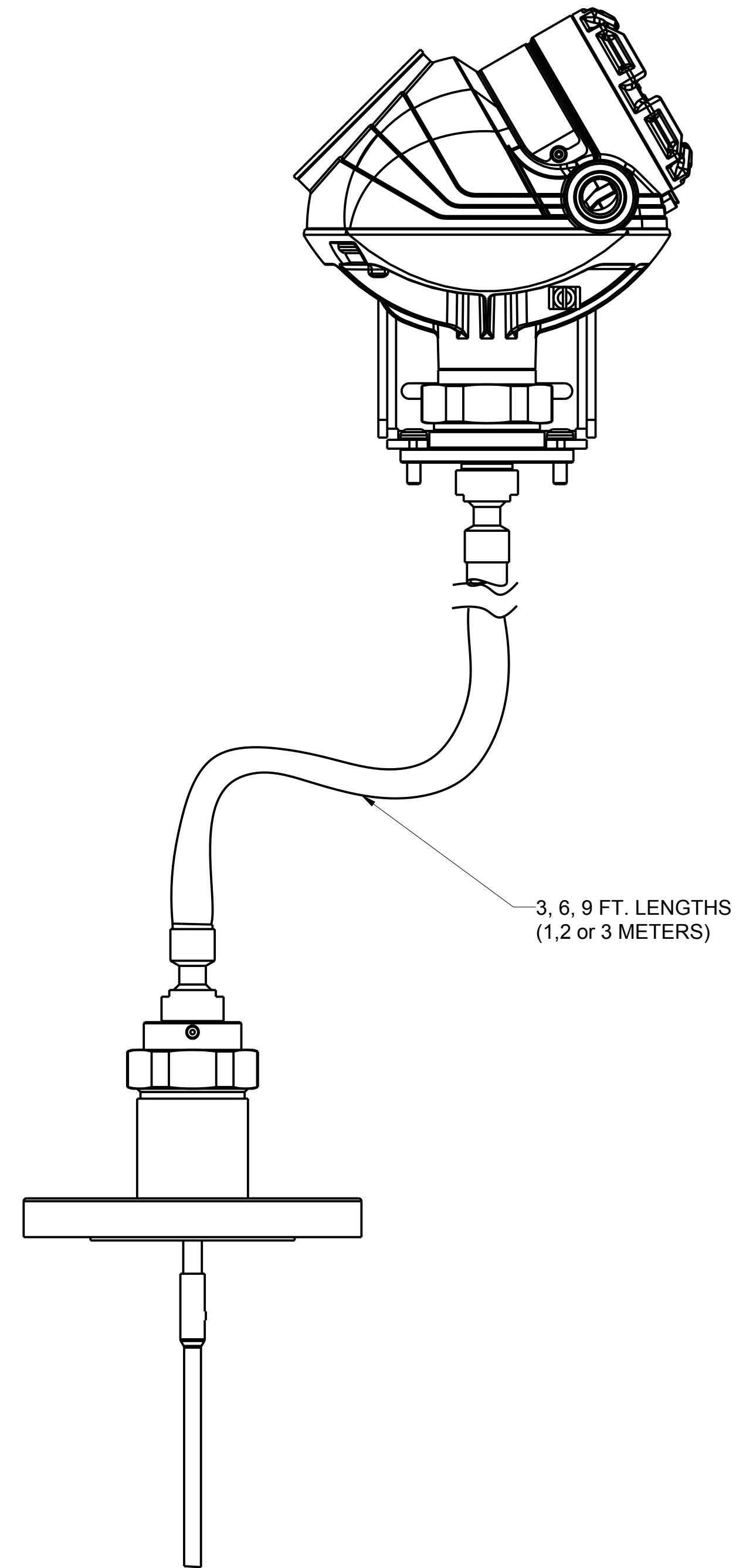
©2016 ROSEMOUNT INC.
ROSEMOUNT INC. THESE
DRAWINGS ARE IN ACCORDANCE WITH
ROSEMOUNT ENGINEERING
STANDARDS. UNLESS OTHERWISE
SPECIFICALLY NOTED, ALL DIMENSIONS
REPRESENT THE EQUIPMENT
FURNISHED AGAINST THE NOTED P.O.
UNIT NOTES IN INCHES (mm).
REFER TO ROSEMOUNT PRODUCT
DATA SHEETS FOR PRODUCT
SPECIFICATIONS.
CLICK HERE

		3RD ANGLE	SIZE D	SCALE NTS
ROSEMOUNT 5303 TYPE I DRAWING				
DR. J. Armstrong	1/4/16	DRAWING NO.	05303-7000	
APP'D T. Soderman	1/5/16	SHEET 1 OF 2		
CAD MAINTAINED, (PROE)				

ROSEMOUNT 5303 GUIDED WAVE SOLIDS LEVEL TRANSMITTER
WITH REMOTE AND STANDARD MOUNTING BRACKETS

REMOTE HOUSING
(SHOWN WITH FLANGE PROCESS CONNECTION)
(OPTION B1,B2,B3)

MOUNTING BRACKET (BR OPTION)



SAME WEIGHT OPTIONS APPLY WITH REMOTE HOUSING

<small>©2016 ROSEMOUNT INC. ROSEMOUNT INC. THESE DRAWINGS ARE IN ACCORDANCE WITH ROSEMOUNT ENGINEERING SPECIFICATIONS. UNLESS OTHERWISE SPECIFIED, ALL DIMENSIONS SHALL REPRESENT THE EQUIPMENT FURNISHED AGAINST THE NOTED P.O. UNIT NOTES IN INCHES (mm). REFER TO ROSEMOUNT PRODUCT DATA SHEETS FOR PRODUCT SPECIFICATIONS. CLICK HERE</small>	3RD ANGLE		SIZE D	SCALE NTS
	TITLE ROSEMOUNT 5303 TYPE I DRAWING			
	DR. J. Armstrong	1/4/16	DRAWING NO.	05303-7000
APPD T. Soderman	1/6/16			
CAD MAINTAINED, (PRO/E)			SHEET 2 OF 2	