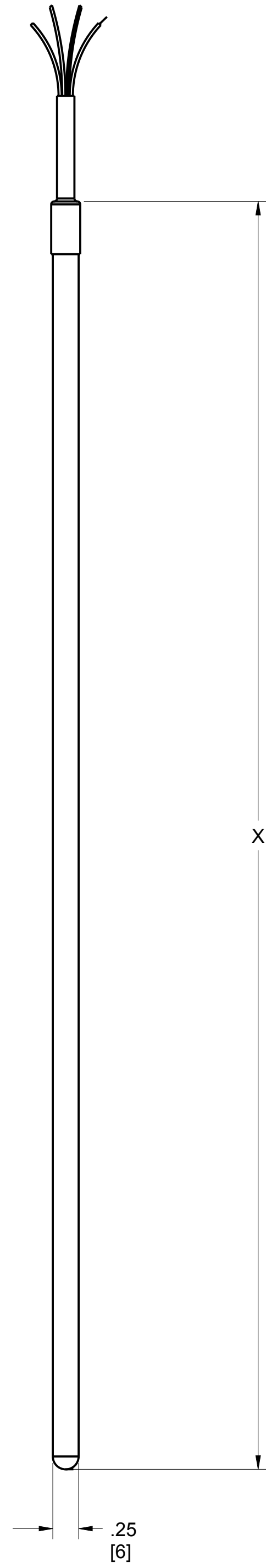


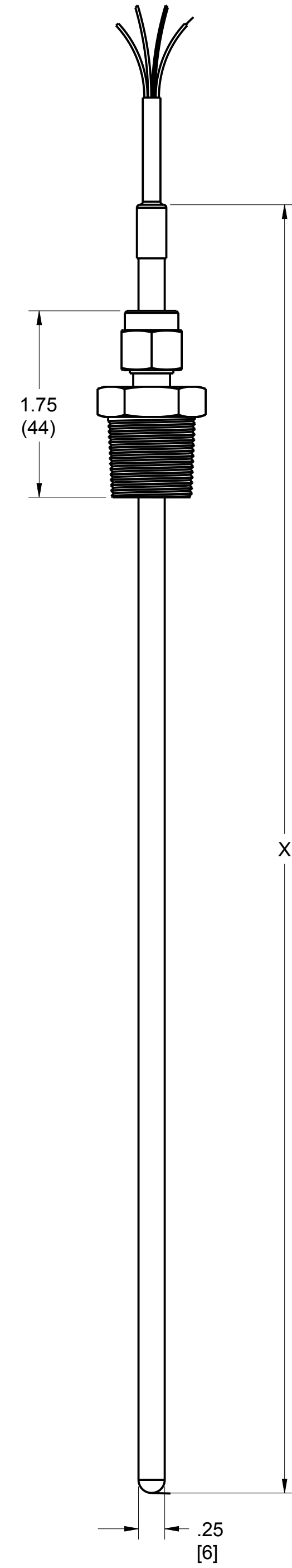
ROSEMOUNT 58C CUT-TO-FIT PLATINUM RTD SENSOR

REVISION TABLE			
REVISION	ECO NO.	APP'D	DATE
AA	RTC1060511	JR	7/11/14
DESCRIPTION			
CREATE NEW			

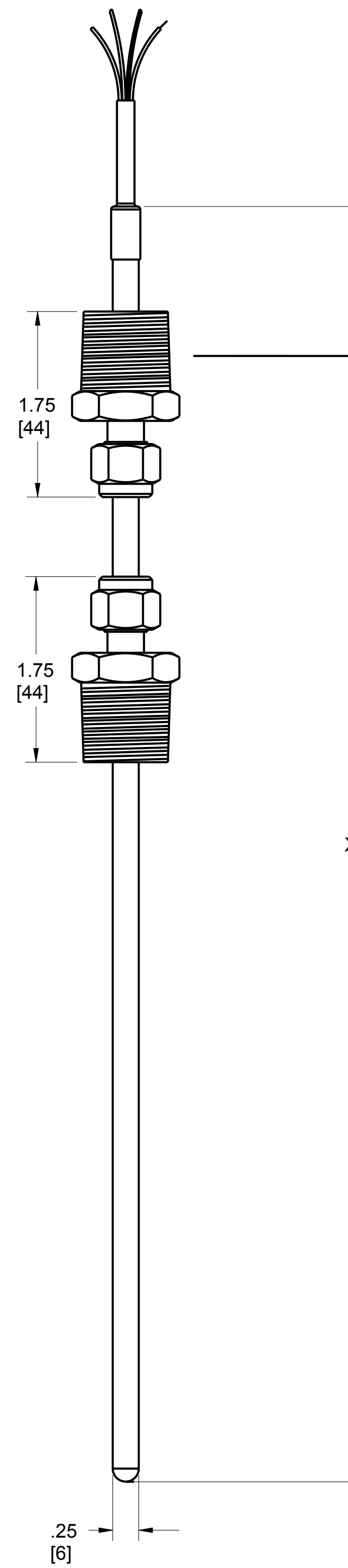
58C CAPSULE ONLY



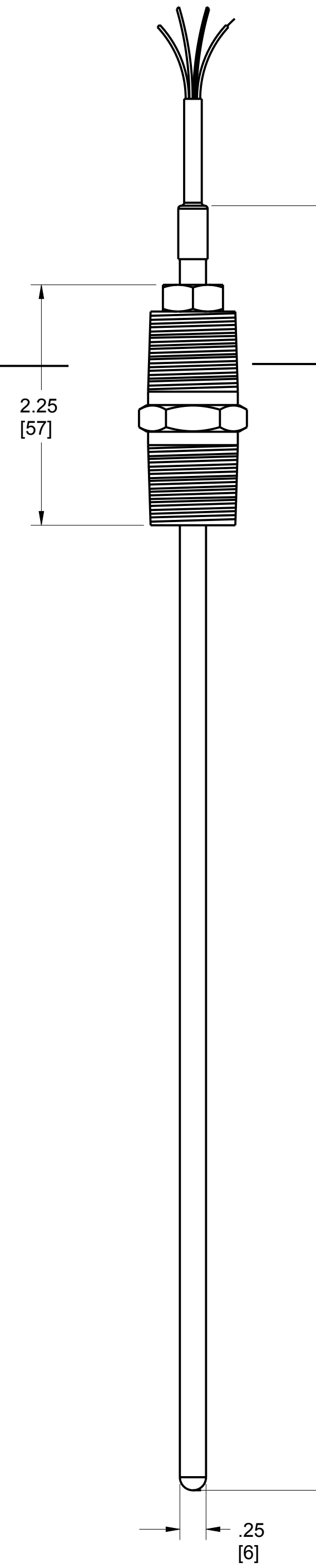
COMPRESSION FITTING 316 SST, 1/2-14 ANPT (OPTION CODE C01)



TWO COMPRESSION FITTINGS 316 SST, 1/2-14 ANPT (OPTION CODE C02)



58C CAPSULE WITH SPRING LOADED FITTING 303 SST, 1/2-14 NPT (CODE SNN)



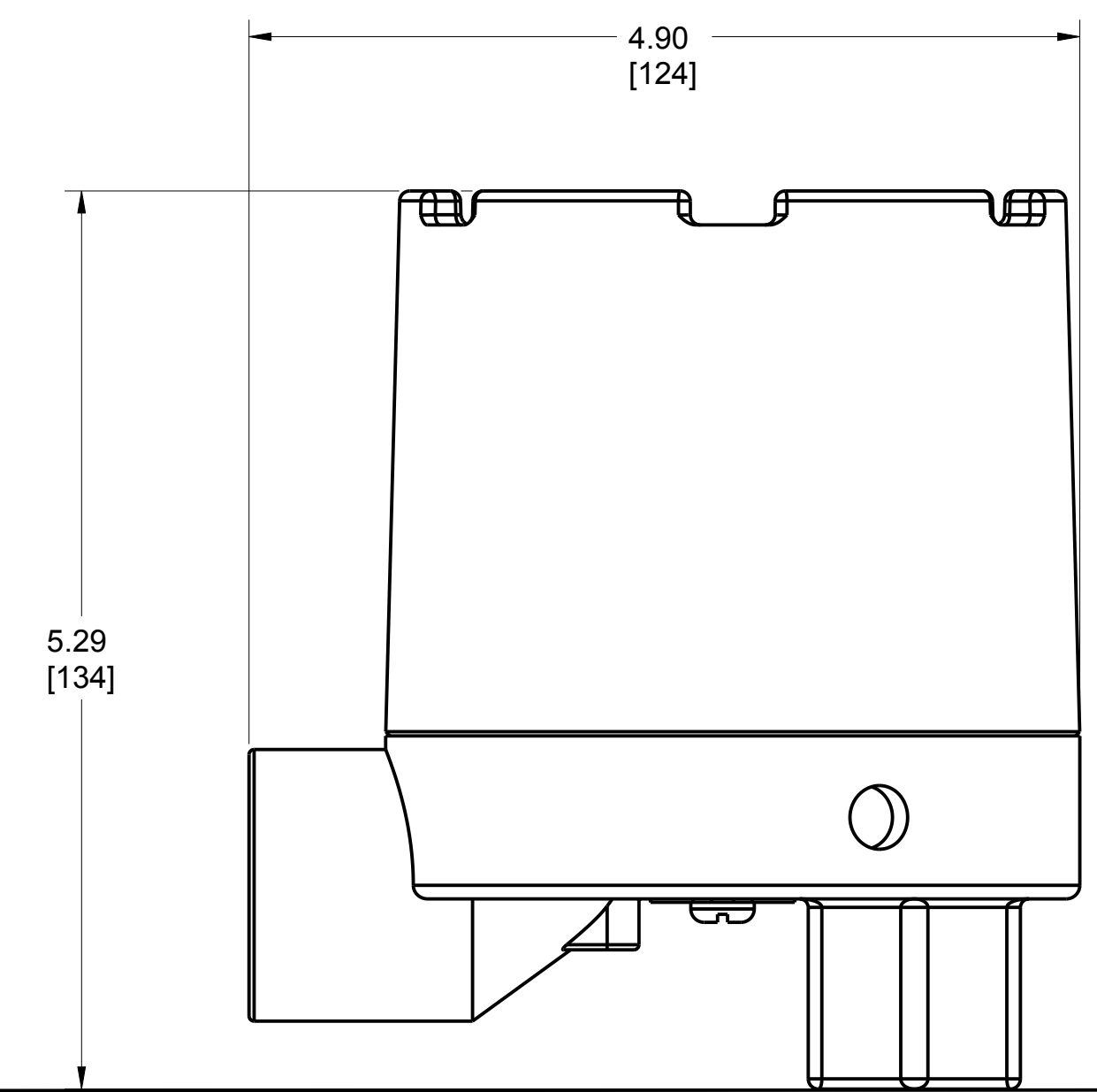
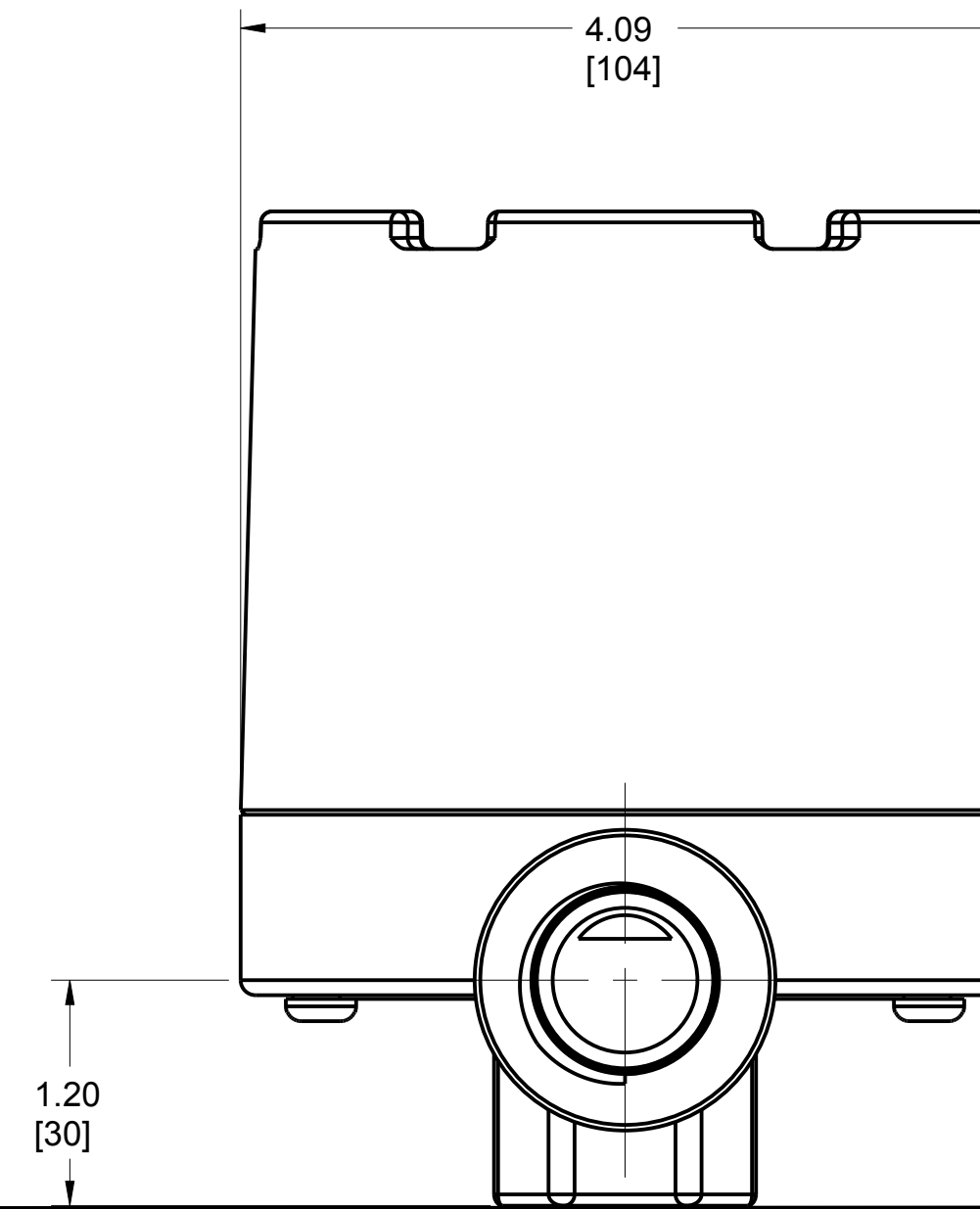
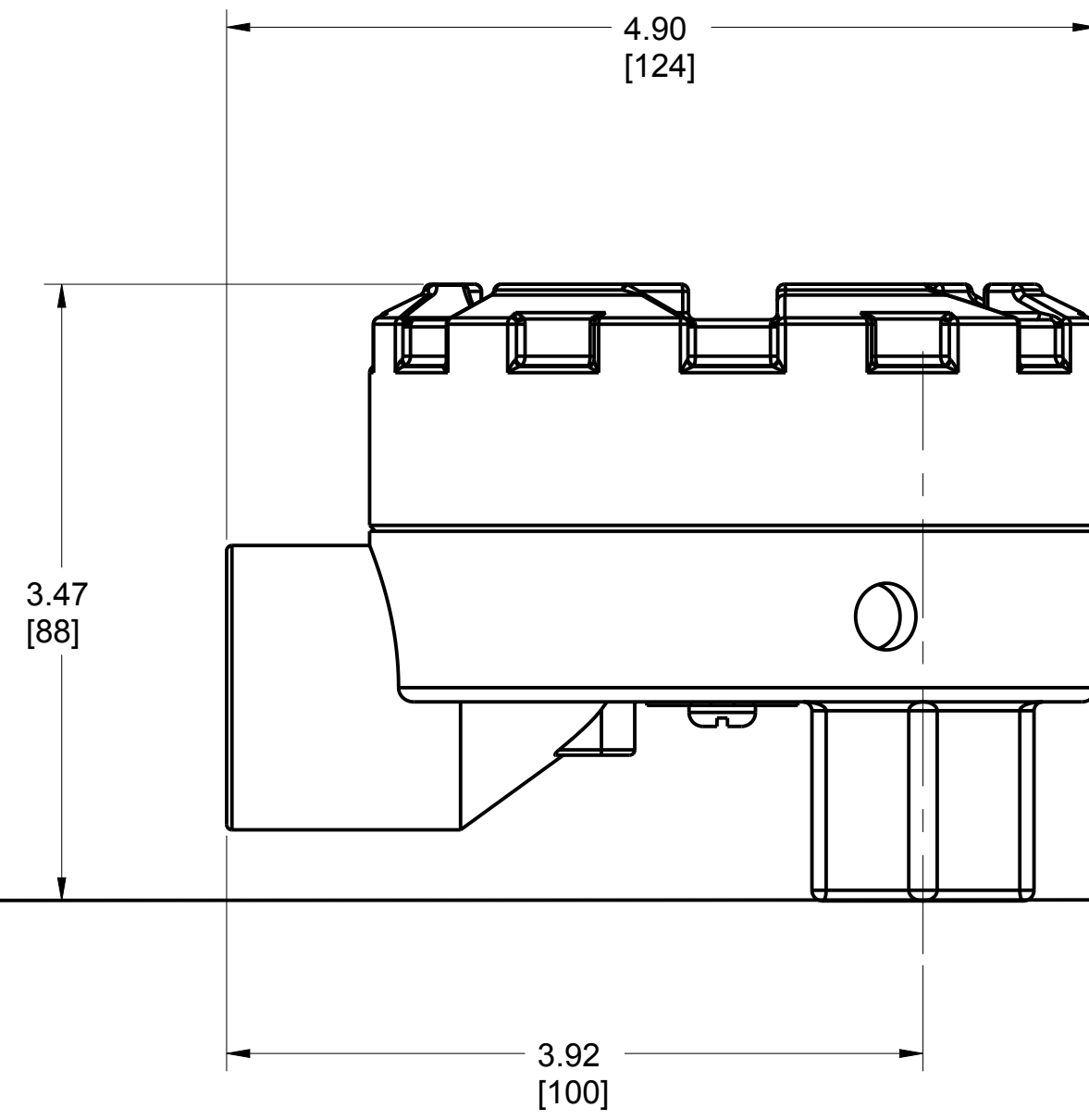
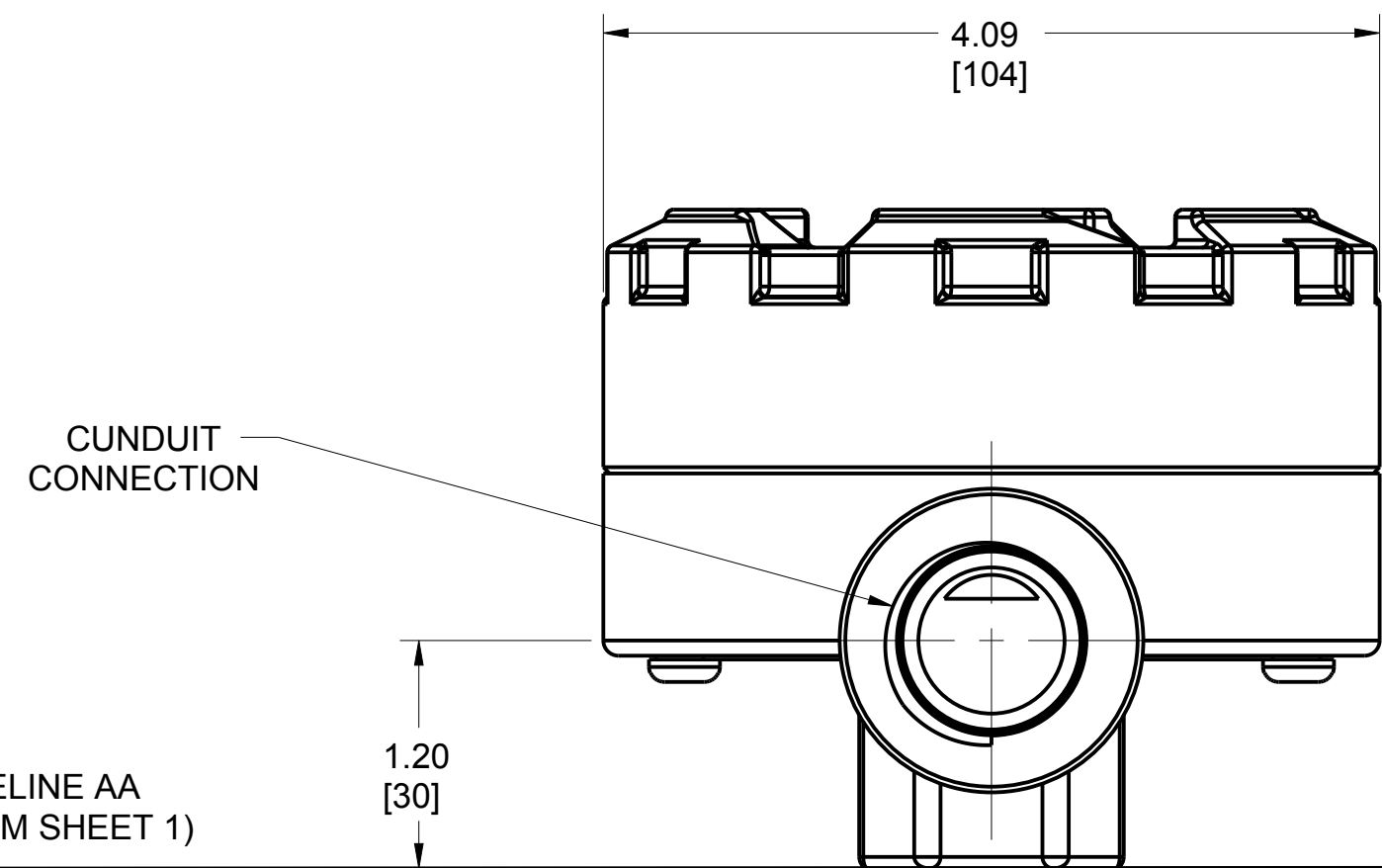
BASELINE AA (SEE SHEET 2)

X LENGTH= 12",24",36" OR 48"

<small>UNLESS OTHERWISE SPECIFIED DIMENSIONS AND TOLERANCES ARE AS SHOWN AND UNLESS OTHERWISE NOTED, INFORMATION IS CONTAINED HEREIN AND MUST BE HANDLED ACCORDINGLY. EMERSON</small>	CUSTOMER	***	3RD ANGLE	SIZE	SCALE	REV
	CUSTOMER DWG NO.	***	D	1/1	AA	
P.O. No.	***			TITLE		
S.O. No.	***			58C PLATINUM RTD		
PROJECT NAME	***	DR.	JLA	7/11/14	DRAWING NO.	00058-7000
		APP'D	JR	7/11/14		
DO NOT SCALE PRINT	CAD MAINTAINED, (PRO/E)	PRODUCT CODE	-	DOC TYPE	-	SHEET 1 OF 2

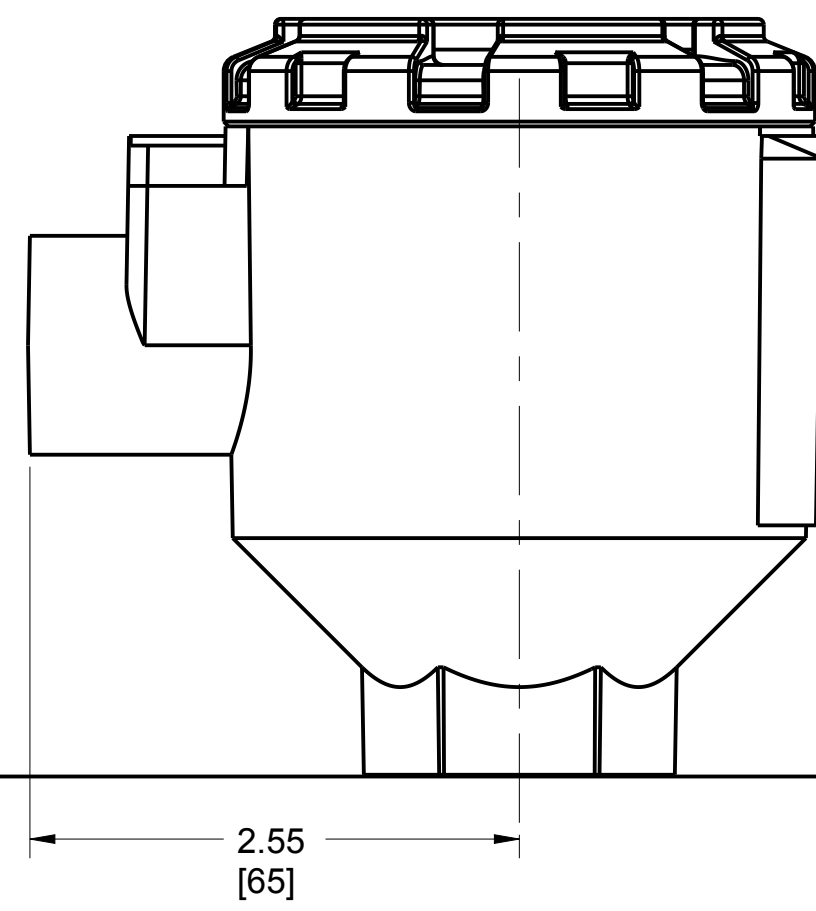
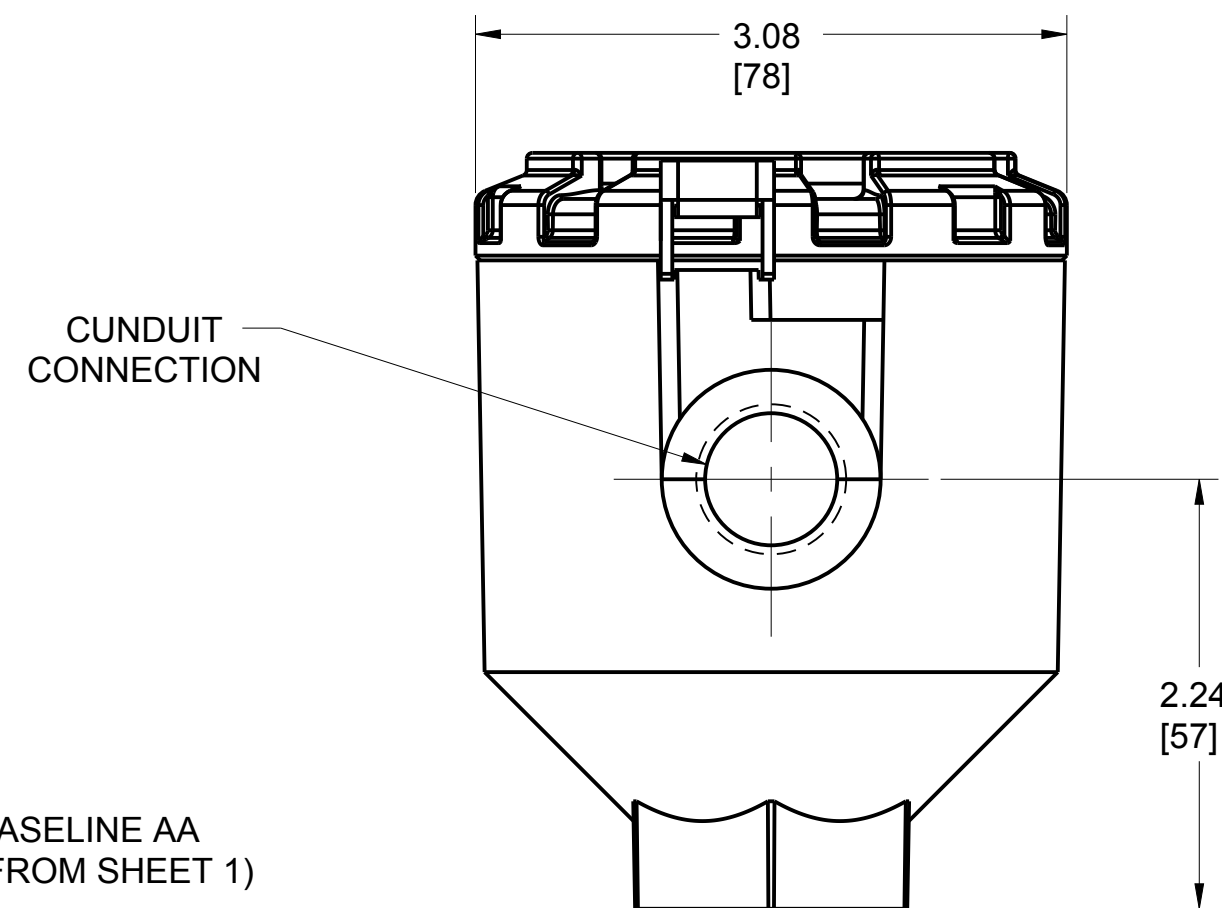
DRAWING NO. 00058-7000 TAG NO. GAL

ALUMINUM CONNECTION HEAD

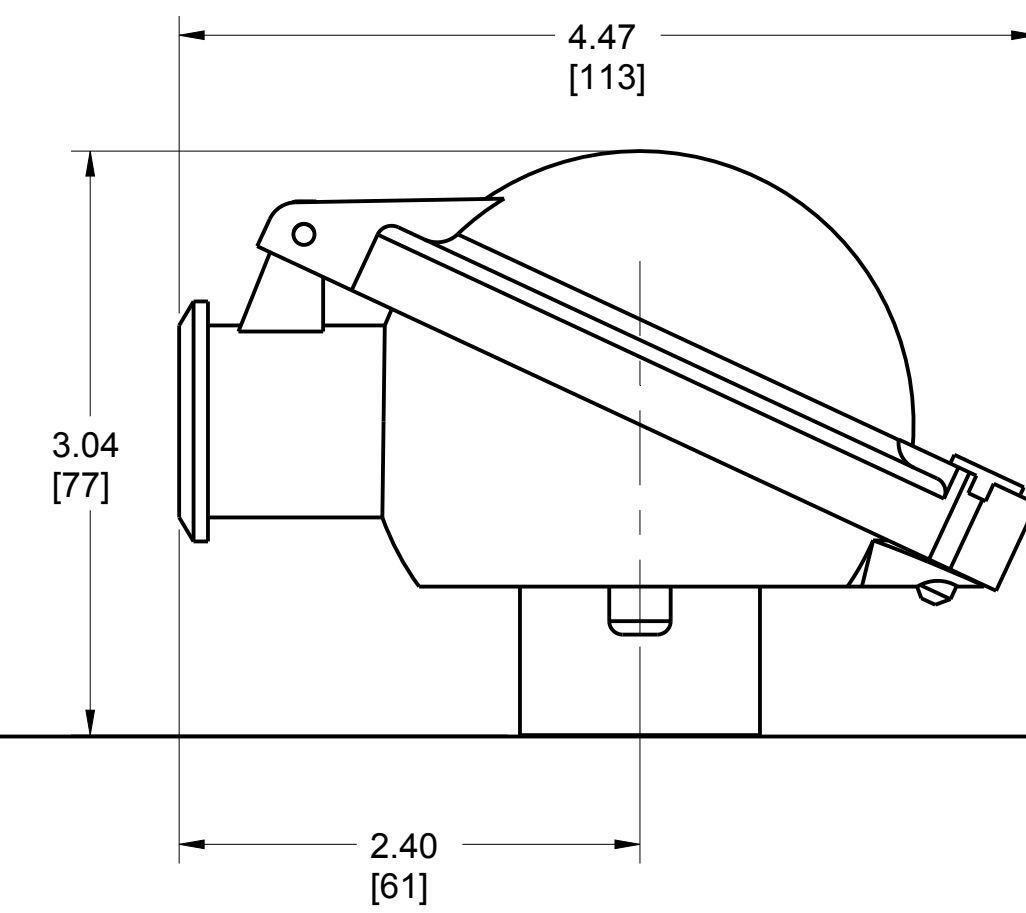
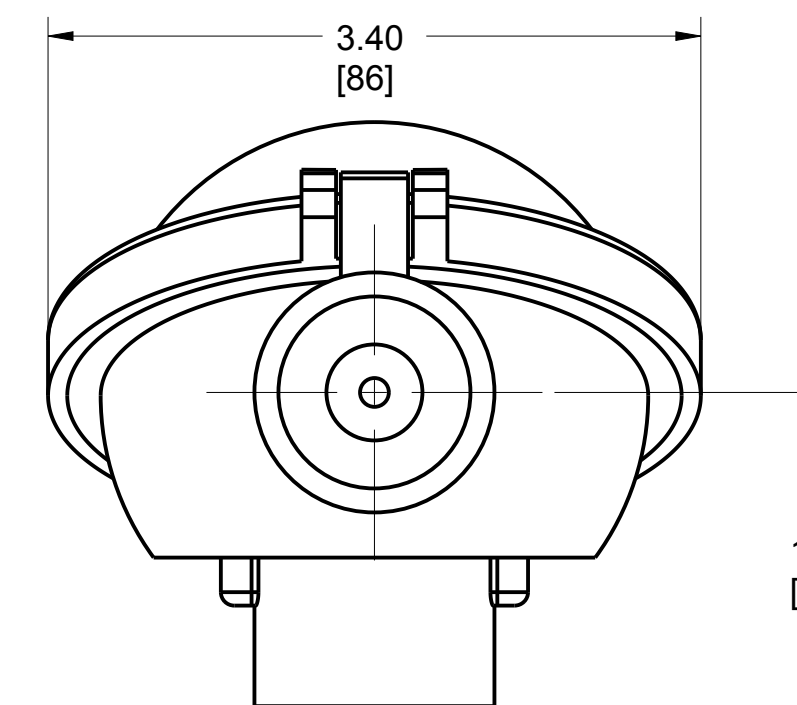


ALUMINUM CONNECTION HEAD WITH EXTENDED COVER

ROSEMOUNT ALUMINUM OR SST



POLYPROPELENE CONNECTION HEAD



BASELINE AA
(FROM SHEET 1)

BASELINE AA
(FROM SHEET 1)

<small>UNLESS OTHERWISE SPECIFIED DIMENSIONS AND TOLERANCES GOVERN OVER ALL DIMENSIONS AND TOLERANCES SHOWN HEREIN. INFORMATION IS CONTAINED HEREIN AND MUST BE HANDLED ACCORDINGLY. EMERSON</small>	CUSTOMER	***	3RD ANGLE		SIZE	SCALE	REV	
	CUSTOMER DWG NO.	***	D	1/2	AA			
	P.O. No.	***	TITLE					58C PLATINUM RTD
	S.O. No.	***	PROJECT NAME					00058-7000
<small>INFORMATION WITHIN THIS DOCUMENT IS UNCLASSIFIED EXCEPT WHERE SHOWN OTHERWISE. IT IS THE POLICY OF EMERSON TO MAKE TECHNICAL INFORMATION AVAILABLE TO THE PUBLIC WITHOUT RESTRICTIONS. NOTICE: NOT INTENDED FOR ENGINEERING USE. REFERENCE TO THIS DOCUMENT FOR ENGINEERING INFORMATION.</small>		DR.	JLA	7/11/14	DRAWING NO.			
DO NOT SCALE PRINT		APPD	JR	7/11/14	00058-7000			
CAD MAINTAINED, (PRO/E)		PRODUCT CODE		DOC TYPE		SHEET 2 OF 2		

TAG NO. 00058-7000
 DRAWING NO.