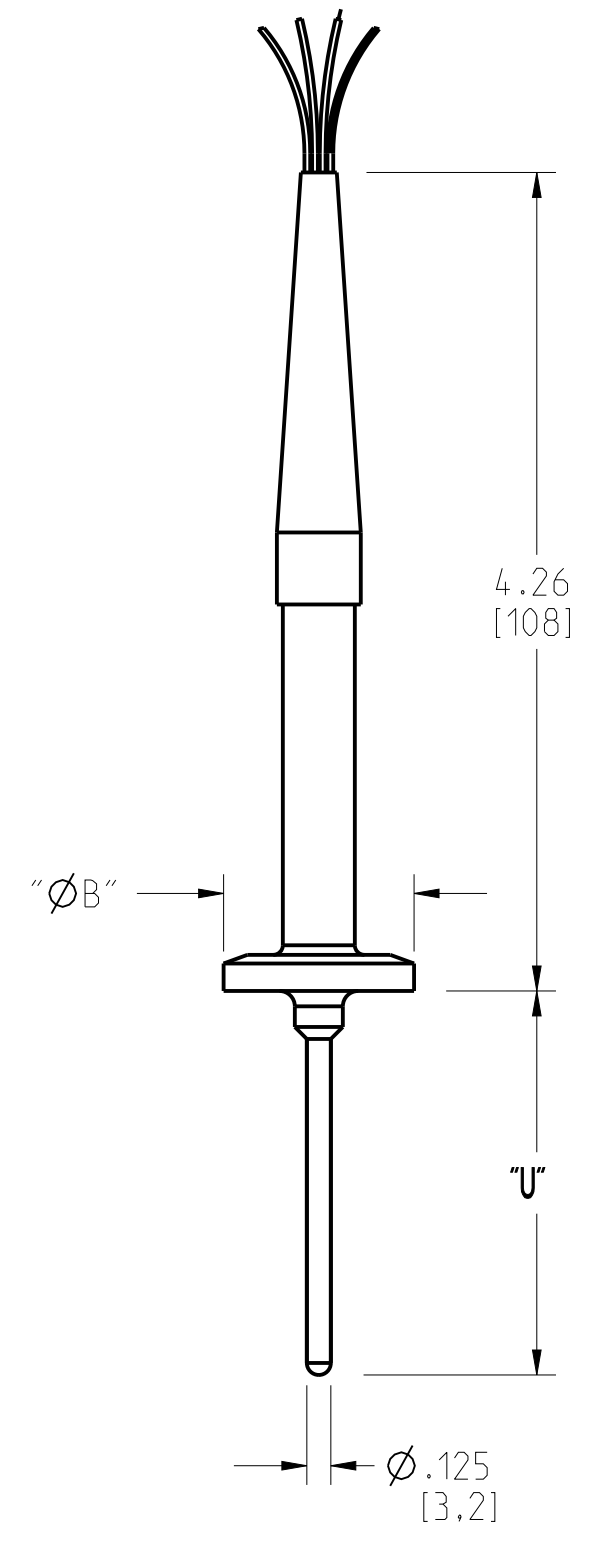


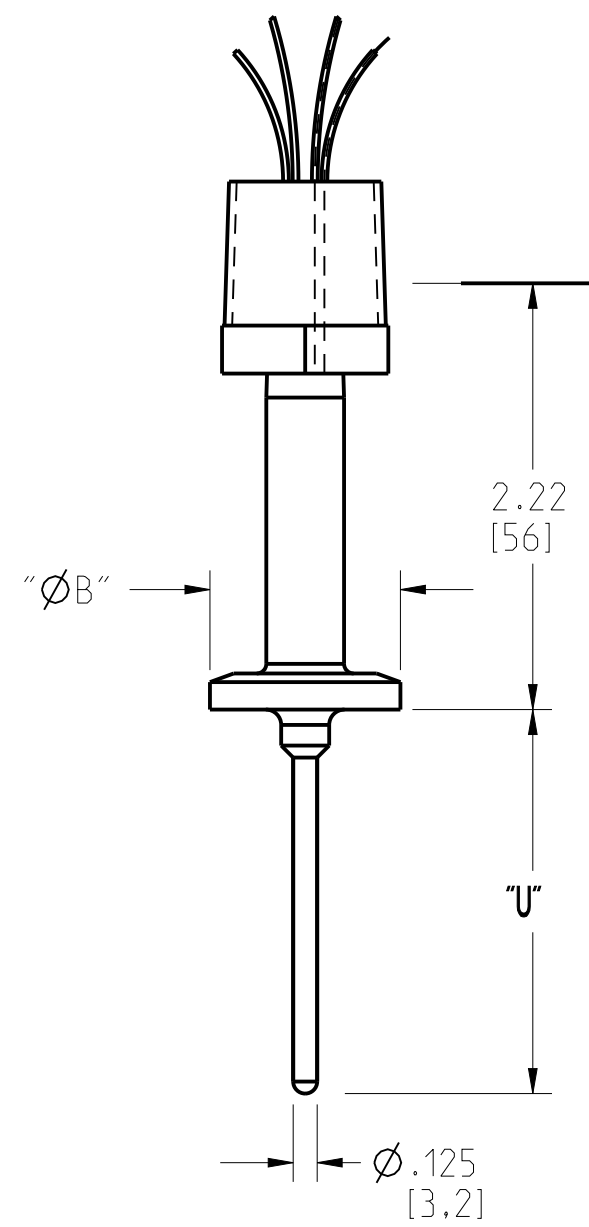
ROSEMOUNT 68Q TEMPERATURE SENSOR

REVISION TABLE			
REVISION	ECO NO.	APP'D	DATE
AC	RTC1057263	JR	6/11/2013
DESCRIPTION			
CONVERT TO PRO-E			

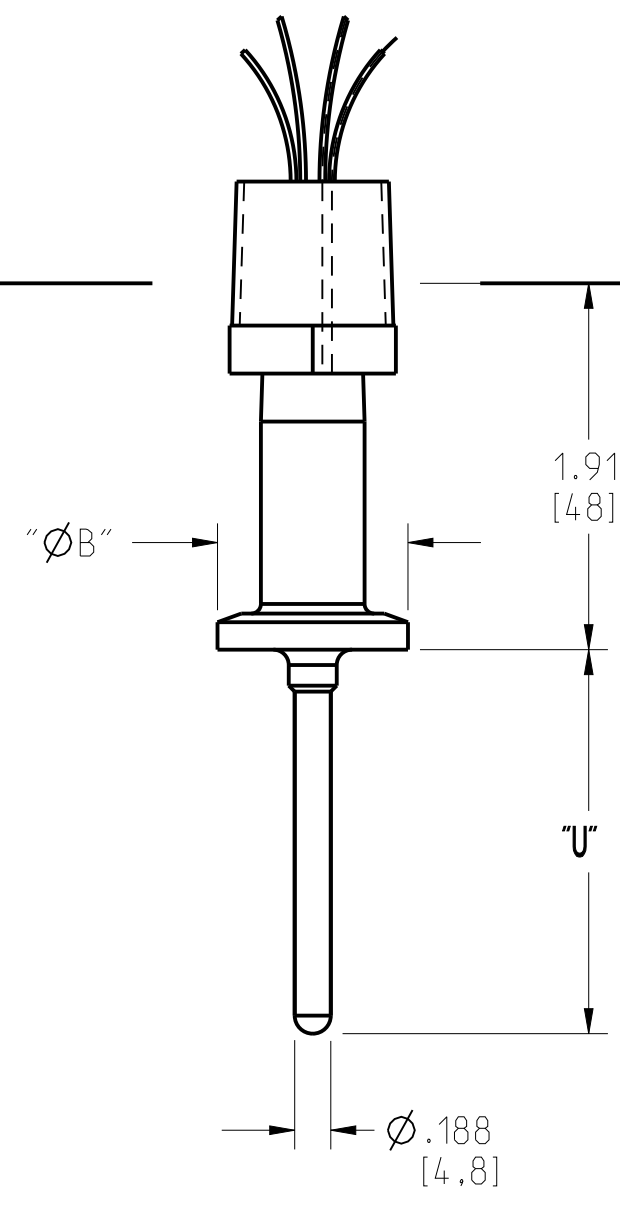
MINI GENERAL PURPOSE WITH CABLE AND STRAIN RELIEF



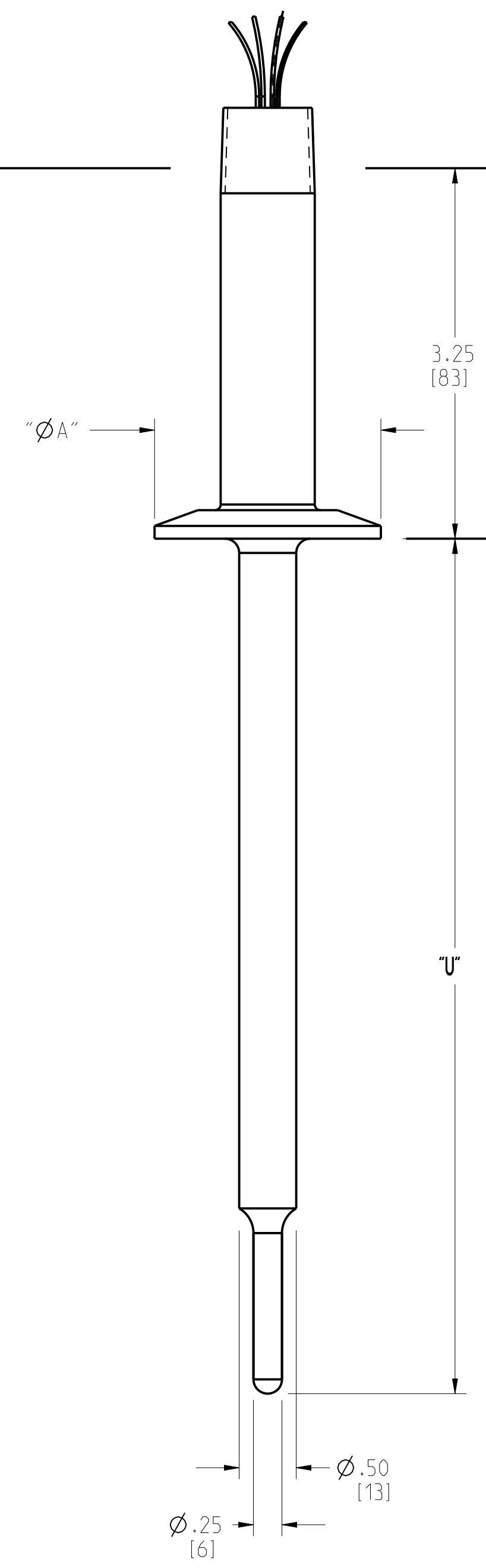
MINI GENERAL PURPOSE



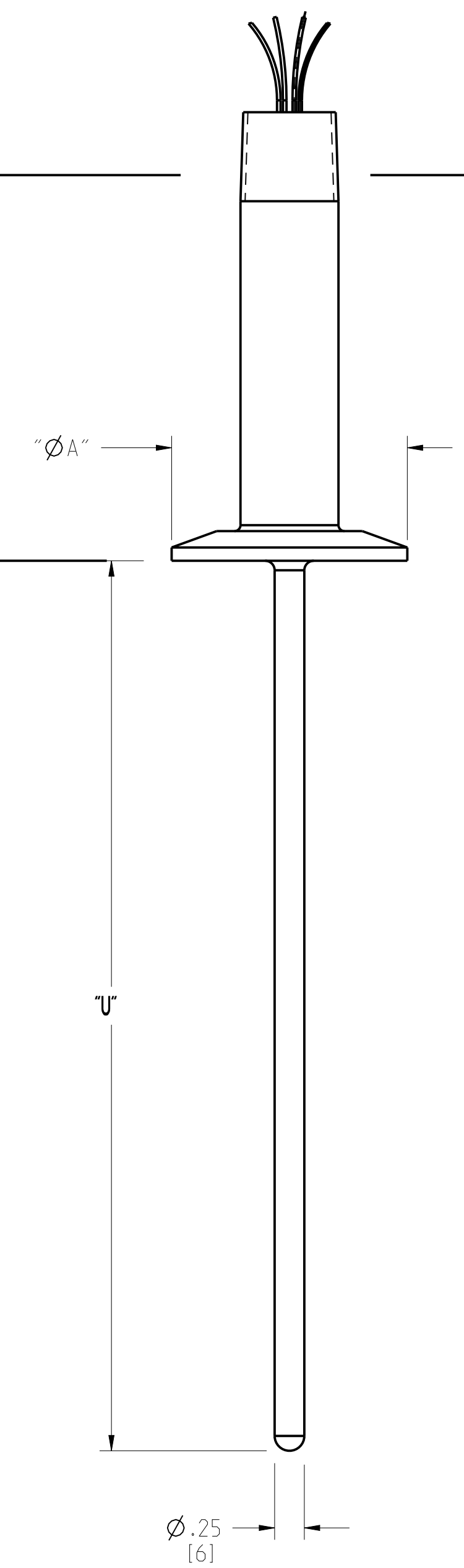
MINI SPRING LOADED WITH THERMOWELL AND REPLACEABLE SENSOR



SINGLE OR DUAL STEPPED STEM



SINGLE OR DUAL STRAIGHT STEM



BASELINE AA (SEE SHEET 2)

"U" LENGTH	
CODE	"U"
U010	1.00 in.
U011	1.10 in.
U012	1.20 in.
U013	1.25 in.
U014	1.40 in.
U015	1.50 in.
U016	1.60 in.
U017	1.70 in.
U018	1.80 in.
U019	1.90 in.
U020	2.00 in.
U025	2.50 in.
U030	3.00 in.
U035	3.50 in.
U040	4.00 in.
U045	4.50 in.
U050	5.00 in.
U055	5.50 in.
U060	6.00 in.
U065	6.50 in.
U070	7.00 in.
U075	7.50 in.
U080	8.00 in.
U085	8.50 in.
U090	9.00 in.
U095	9.50 in.

TRI-CLAMP ENDCAP DIA			
CODE	O.D TUBE		
L050	1/2"-3/4"	.99"	ØB
L100	1.00"	1.98"	ØA
L150	1.50"	1.98"	
L200	2.00"	2.52"	
L250	2.50"	3.05"	
L300	3.00"	3.58"	

2. .75 [19] CLEARANCE REQUIRED TO REMOVE COVERS.
1. ROSEMOUNT INC. CERTIFIES THESE DRAWINGS ARE IN ACCORDANCE WITH ROSEMOUNT ENGINEERING SPECIFICATIONS AND ACCURATELY REPRESENT THE EQUIPMENT FURNISHED.

NOTES:

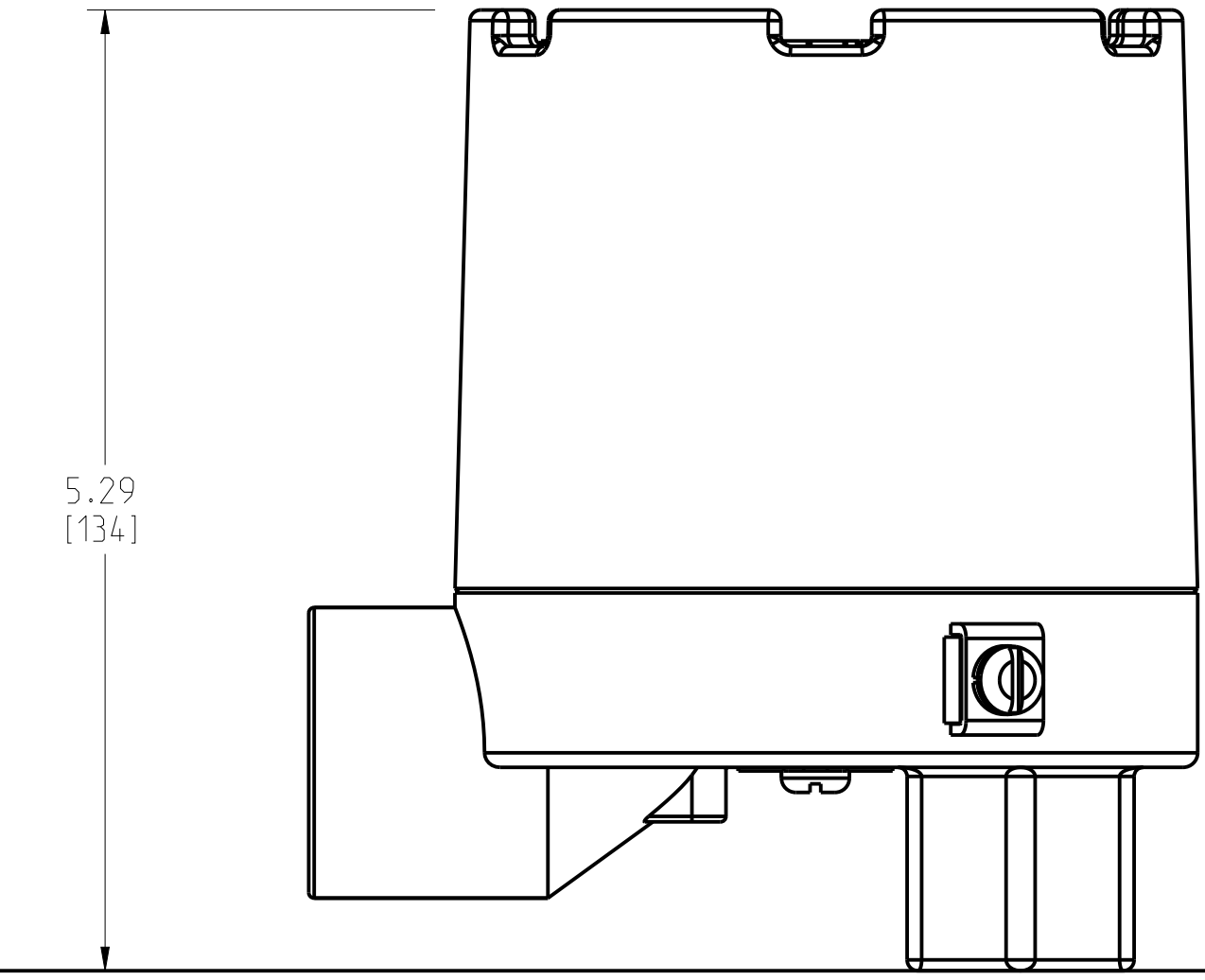
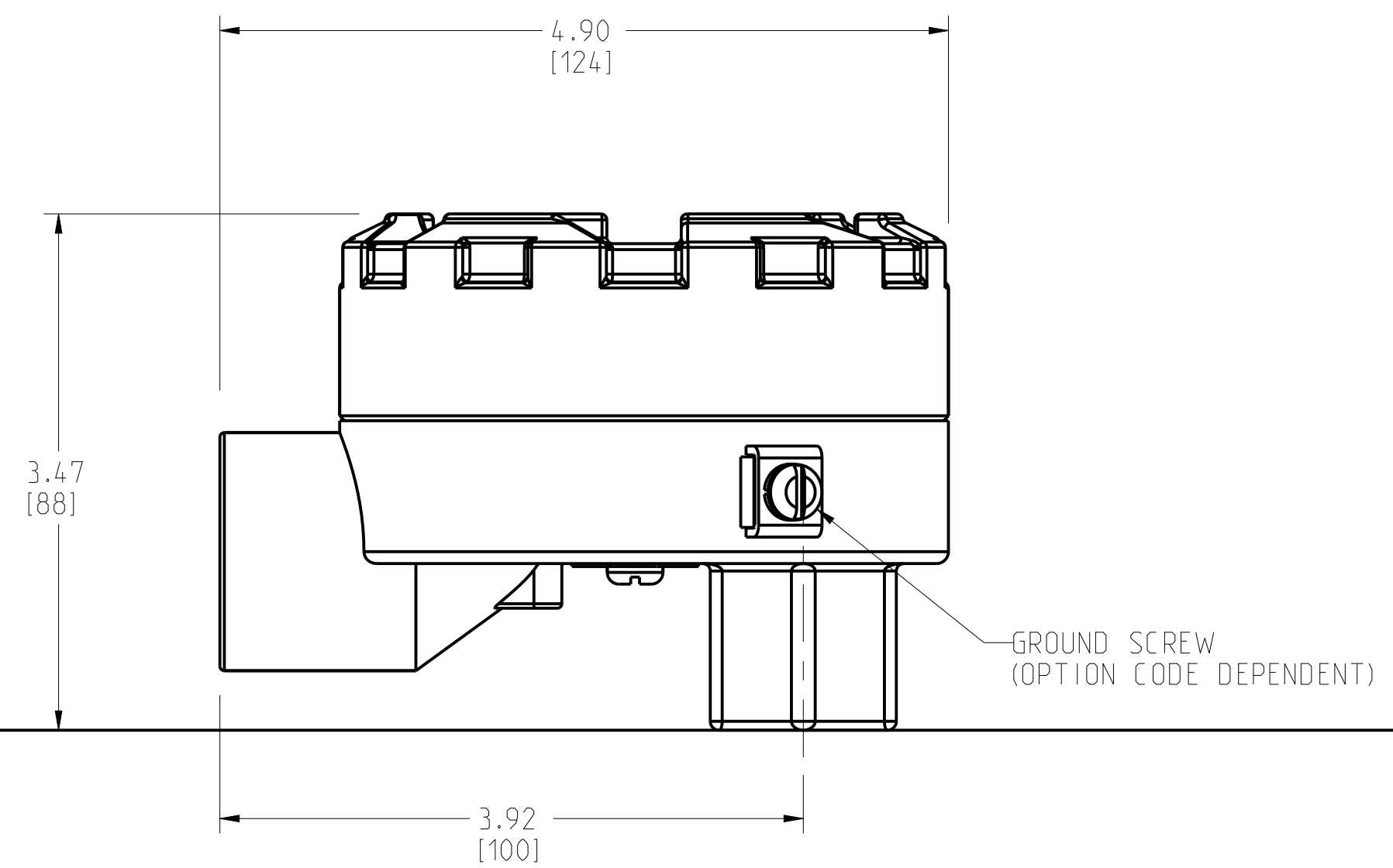
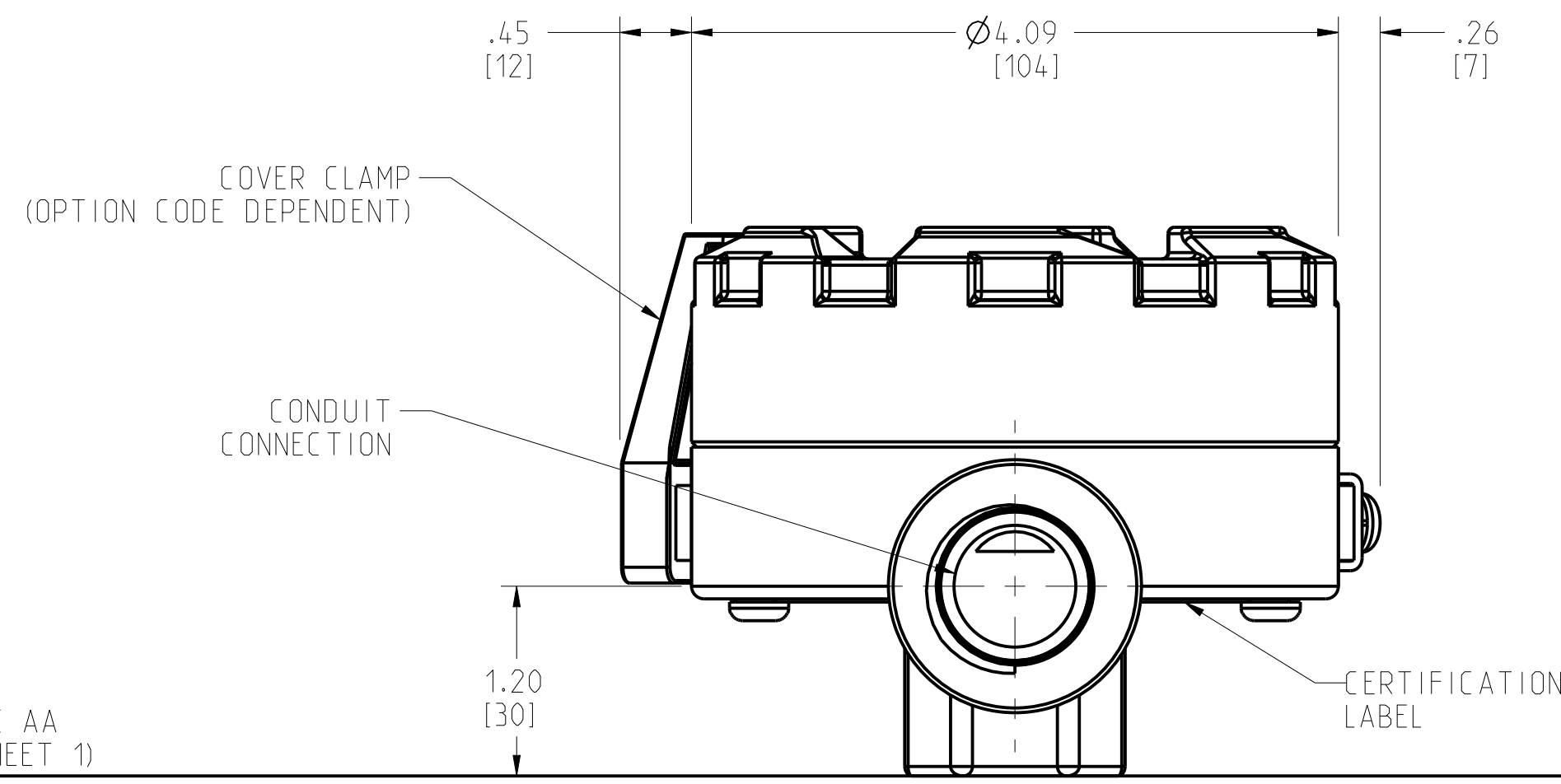
UNLESS OTHERWISE SPECIFIED, CONVERSIONS AND DIMENSIONS ARE IN INCHES. ALL DIMENSIONS ARE TO BE TAKEN FROM THE CENTERLINE UNLESS OTHERWISE SPECIFIED. INFORMATION IS CONTAINED HEREIN IS UNCLASSIFIED AND MUST BE HANDLED ACCORDINGLY.	CUSTOMER	...	3RD ANGLE	SIZE	SCALE	REV
	CUSTOMER DWG NO.	...		D	1/1	AC
	P.O. No.	...				
	S.O. No.	...				
PROJECT NAME	...	DR. JLA 6/10/13	DRAWING NO.	00068-4005		
DO NOT SCALE PRINT	CAD MAINTAINED. (PRO/E)	PRODUCT CODE	-	DOC TYPE	-	SHEET 1 OF 2

DRAWING NO. 00068-4005 TAG NO. CAL.

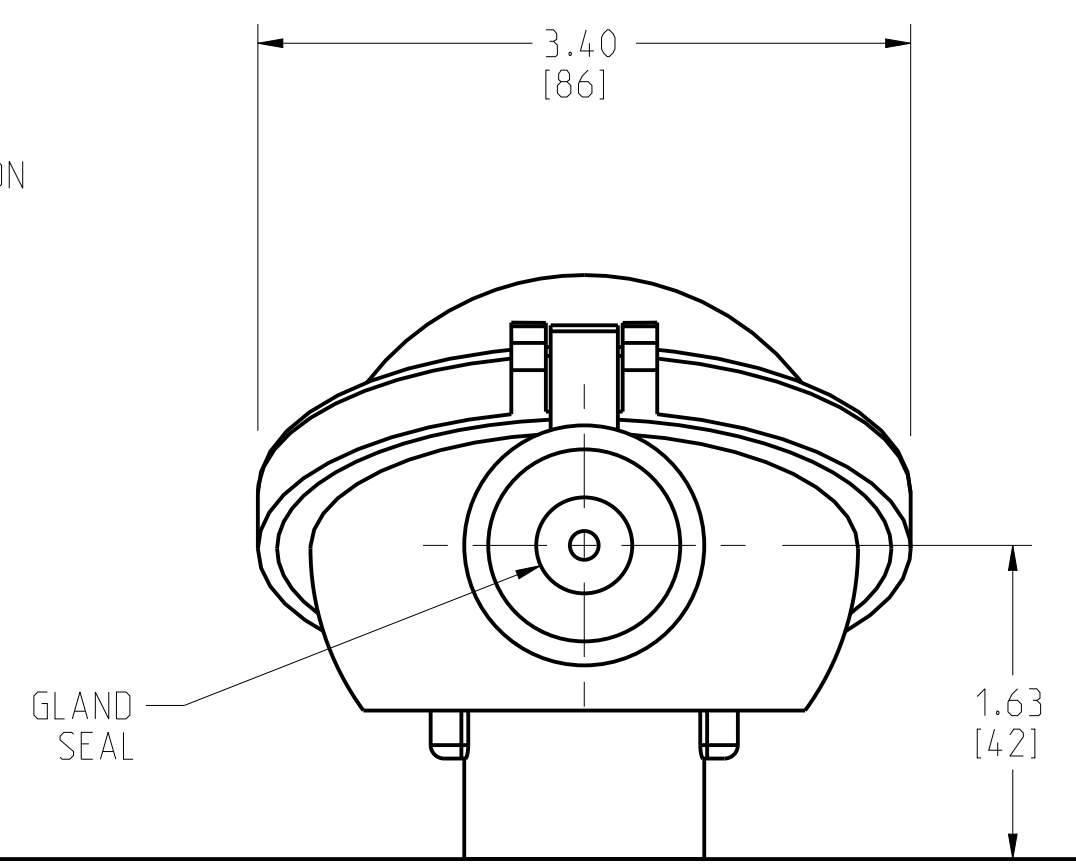
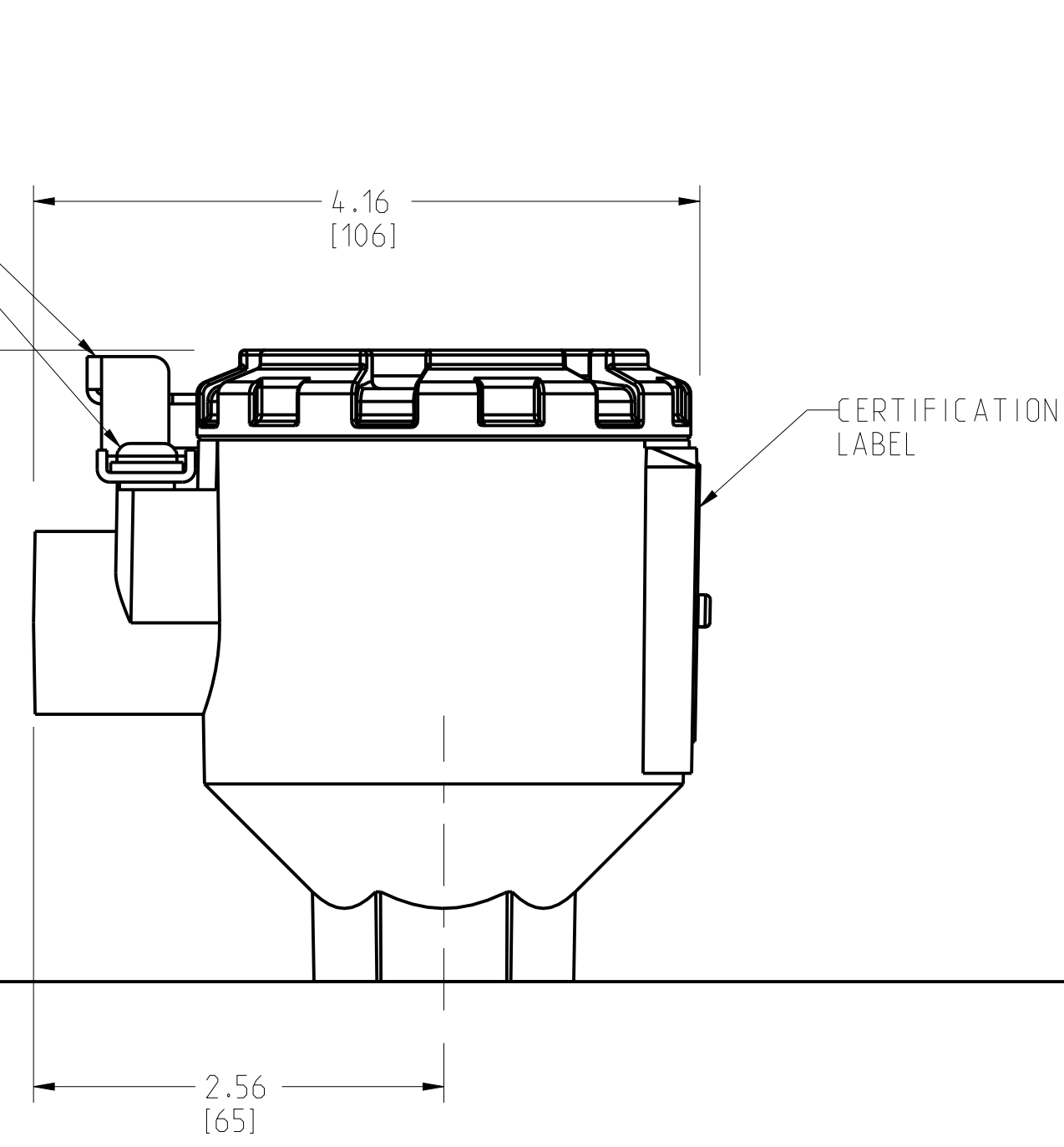
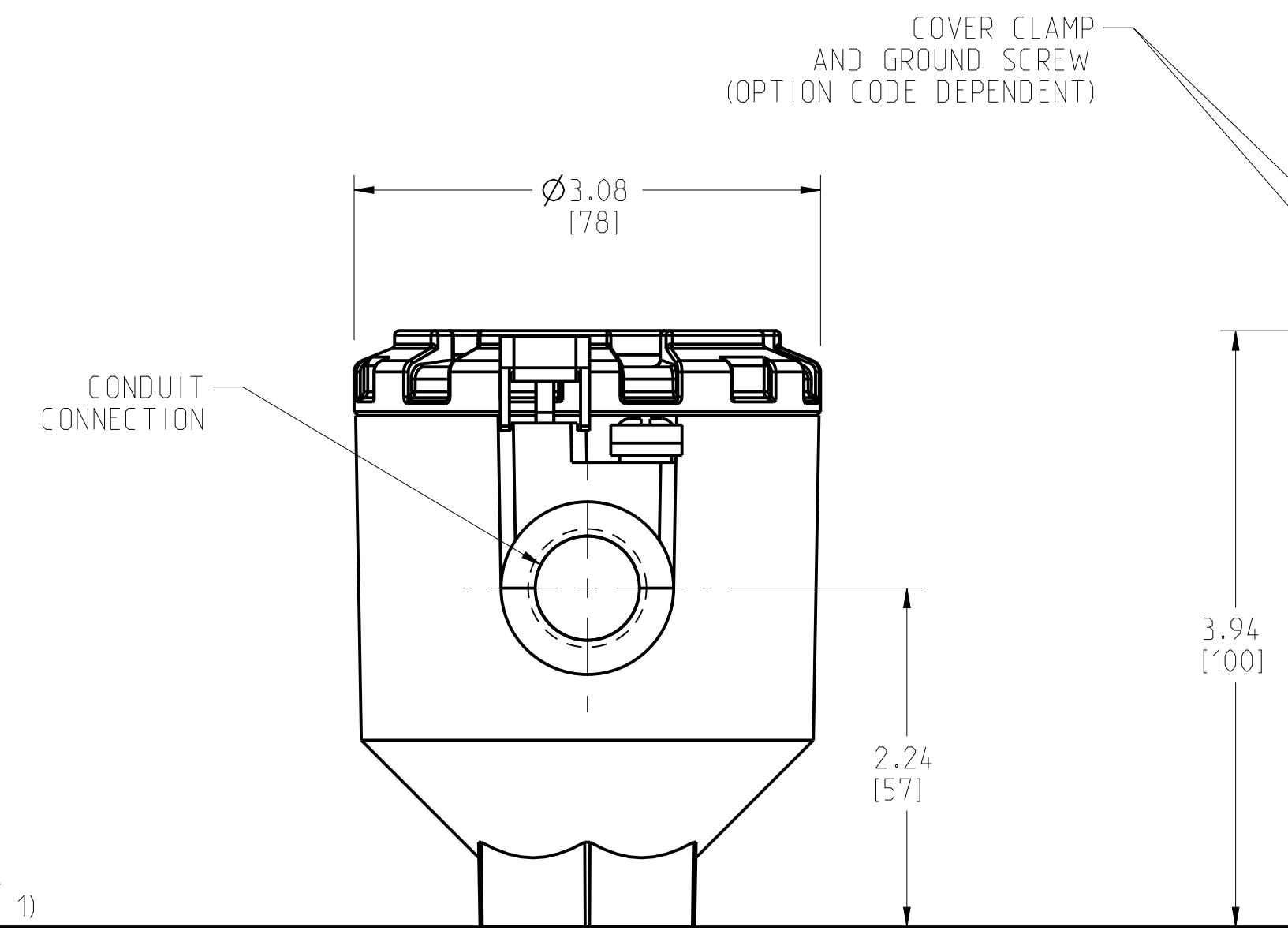
ROSEMOUNT 68Q SERIES CONNECTION HEADS

ALUMINUM CONNECTION HEAD

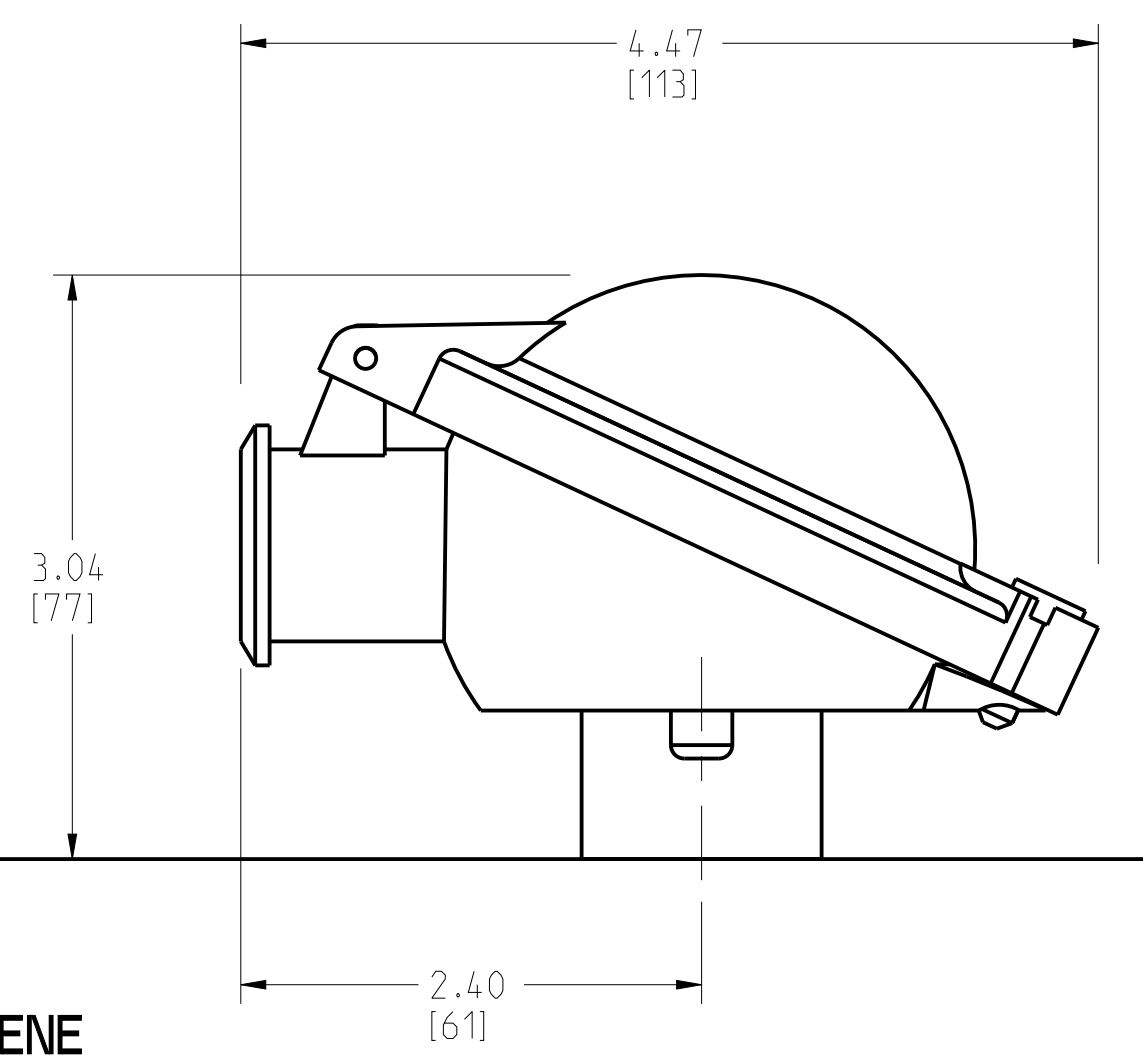
ALUMINUM CONNECTION HEAD WITH EXTENDED COVER



ROSEMOUNT ALUMINUM OR SST



POLYPROPYLENE CONNECTION HEAD



DRAWING NO. 00068-4005 TAG NO. CAL.

UNLESS OTHERWISE SPECIFIED CONSTRUCTION AND FINISHES SHALL BE AS SHOWN IN THE DRAWING. INFORMATION IS CONTAINED HEREIN AND MUST BE HANDLED ACCORDINGLY. EMERSON INFORMATION WITHIN THIS DOCUMENT IS UNCLASSIFIED UNLESS INDICATED OTHERWISE. ENGINEERING USE: REFERENCE TO THIS DOCUMENT IS FOR IDENTIFICATION PURPOSES ONLY. FOR ENGINEERING INFORMATION	CUSTOMER	...	3RD ANGLE	SIZE	SCALE	REV
	CUSTOMER DWG NO.	...		D	1/1	AC
	P.O. No.	...	EMERSON Process Management ROSEMOUNT®			
	S.O. No.	...	TITLE 68Q SANITARY PLATINUM			
PROJECT NAME	DR. JLA 6/10/13	DRAWING NO.				
APP'D JR 6/11/13	...	00068-4005				
DO NOT SCALE PRINT CAD MAINTAINED. (PRO/E) PRODUCT CODE - DOC TYPE - SHEET 2 OF 2						