

ROSEMOUNT 78 TEMPERATURE SENSOR BARSTOCK THERMOWELL

REVISION TABLE			
REVISION	ECO NO.	APP'D	DATE
AD	RTC1056639	JR	3/27/13
DESCRIPTION			
COVER TO PRO-E			

BAYONET SPRING
LOADED STYLE

GENERAL PURPOSE OR
SPRING LOADED STYLE

.53 [13]
MAX THREAD
ENGAGEMENT (TYP)

BASELINE AA
(SEE SHEET 3)

COUPLING
NIPPLE

UNION
NIPPLE

THREADED
MOUNT

WELDED
MOUNT

FLANGED
MOUNT

THREADED
MOUNT

WELDED
MOUNT

FLANGED
MOUNT

X

E

L

U

U

.25
(6)

TAPERED
STEM

STRAIGHT
STEM

STEPPED
STEM

TAPERED
STEM

STRAIGHT
STEM

STEPPED
STEM

SENSORS

EXTENSIONS

THERMOWELL
WITH EXTENSION

THERMOWELL
WITHOUT EXTENSION

1. STEM STYLES INTERCHANGABLE WITH THERMOWELL MOUNTING STYLE.

4. SANITARY THERMOWELLS USE TRI-CLAMP MOUNTING STYLE (SHEET 2).

3. SPRING LOADED AND BAYONET SENSOR TYPES ARE SHOWN .50 [12.7] COMPRESSED.

2. .75 [19] CLEARANCE REQUIRED TO REMOVE COVERS.

1. ROSEMOUNT INC. CERTIFIES THESE DRAWINGS ARE IN ACCORDANCE WITH ROSEMOUNT ENGINEERING SPECIFICATIONS AND ACCURATELY REPRESENT THE EQUIPMENT FURNISHED.

NOTES:

EQUATIONS

$$L = U + T + 1.50 [38]$$

WITH EXTENSION

$$X = E + L$$

$$X = E + U + T + 1.50 [38]$$

WITHOUT EXTENSION

$$X = L$$

UNLESS OTHERWISE SPECIFIED
CONVERSIONS AND DIMENSIONS
CONTAINED HEREIN ARE IN
INCHES AND DECIMALS THEREOF
AND MUST BE HANDLED ACCORDINGLY.
EMERSON
INFORMATION WITHIN THIS
DOCUMENT IS NOT INTENDED FOR
ENGINEERING USE. REFERENCE
TO THIS DOCUMENT FOR ENGINEERING
PURPOSES IS NOT AUTHORIZED.

CUSTOMER ***
CUSTOMER DWG NO. ***
P.O. No. ***
S.O. No. ***
PROJECT NAME ***
APP'D JR 3/27/13

3RD ANGLE	SIZE D	SCALE 3/4	REV AD
EMERSON Process Management		ROSEMOUNT	
TITLE ROSEMOUNT 78 TEMPERATURE SENSOR BARSTOCK THERMOWELL			
DR. JLA 3/27/13	DRAWING NO.	00078-0240	
APP'D JR 3/27/13	PRODUCT CODE	- DOC TYPE D SHEET 1 OF 3	

TAG NO. 00068-0017
DRAWING NO.

ROSEMOUNT 78 TEMPERATURE SENSOR
SANITARY THERMOWELL

BAYONET SPRING
LOADED STYLE

GENERAL PURPOSE OR
SPRING LOADED STYLE

.53 [13]
MAX THREAD
ENGAGEMENT (TYP)

BASELINE AA
(SEE SHEET 3)

COUPLING
NIPPLE

UNION
NIPPLE

1-3 in.
TRI-CLAMP
MOUNT

3/4 in.
TRI-CLAMP
MOUNT

1-3 in.
TRI-CLAMP
MOUNT

3/4 in.
TRI-CLAMP
MOUNT

X

L

U

U

.25
[6]

STEPPED
STEM

STRAIGHT
STEM

STEPPED
STEM

STRAIGHT
STEM

SENSORS

EXTENSIONS

THERMOWELL
WITH EXTENSION

THERMOWELL
WITHOUT EXTENSION

EQUATIONS
L = U+T+1.50 [38]
WITH EXTENSION
X = E+L
X = E+U+T+1.50 [38]
WITHOUT EXTENSION
X = L

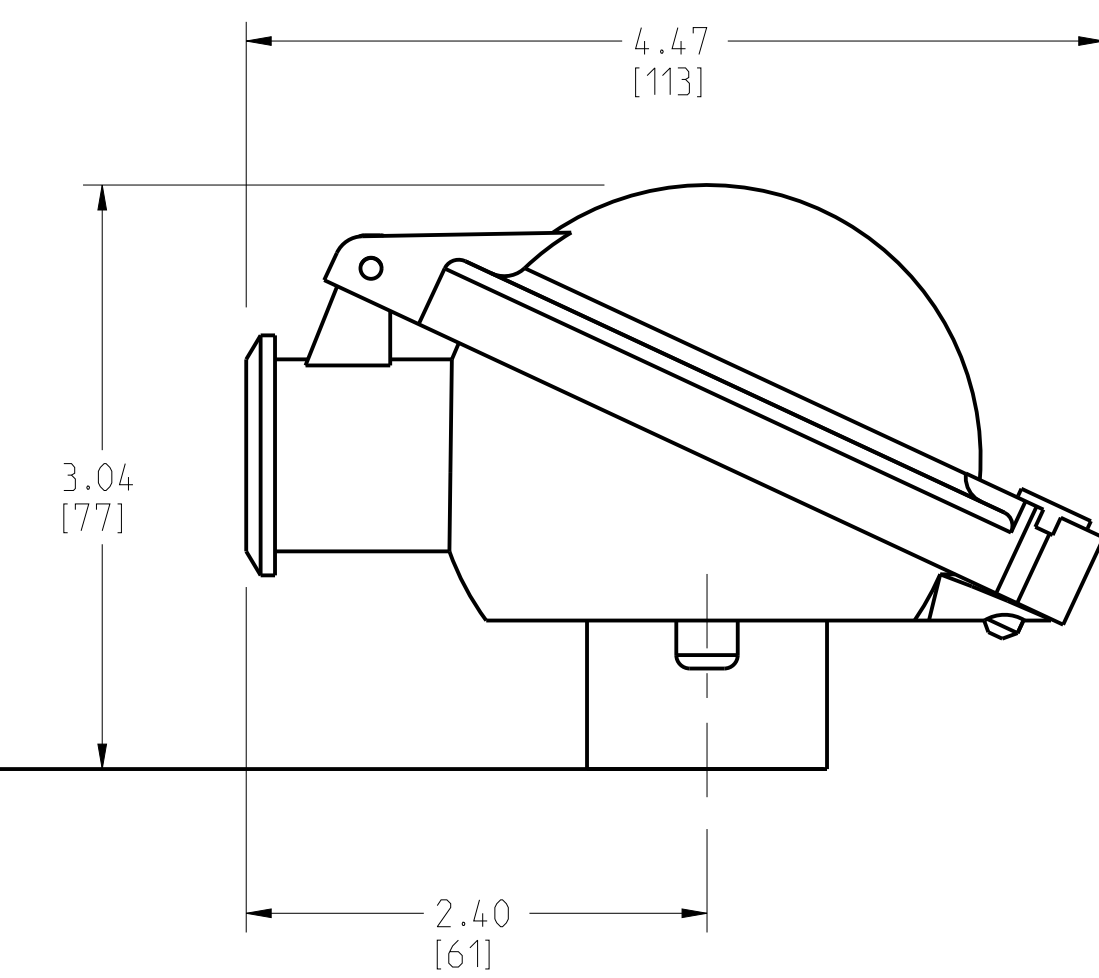
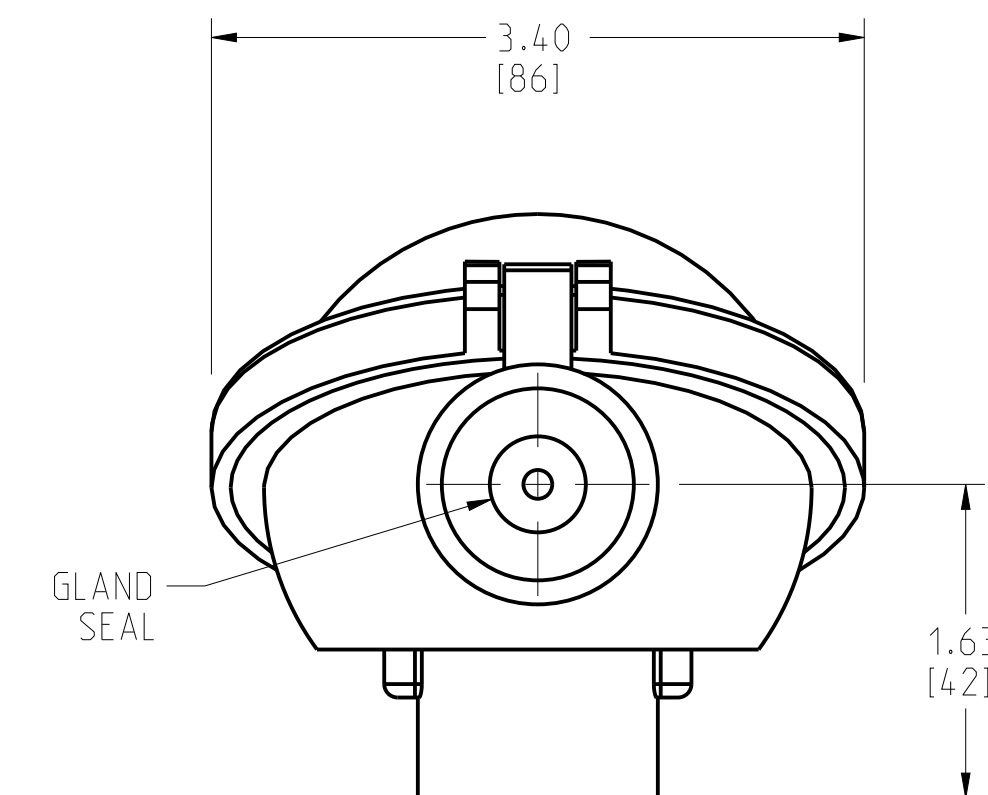
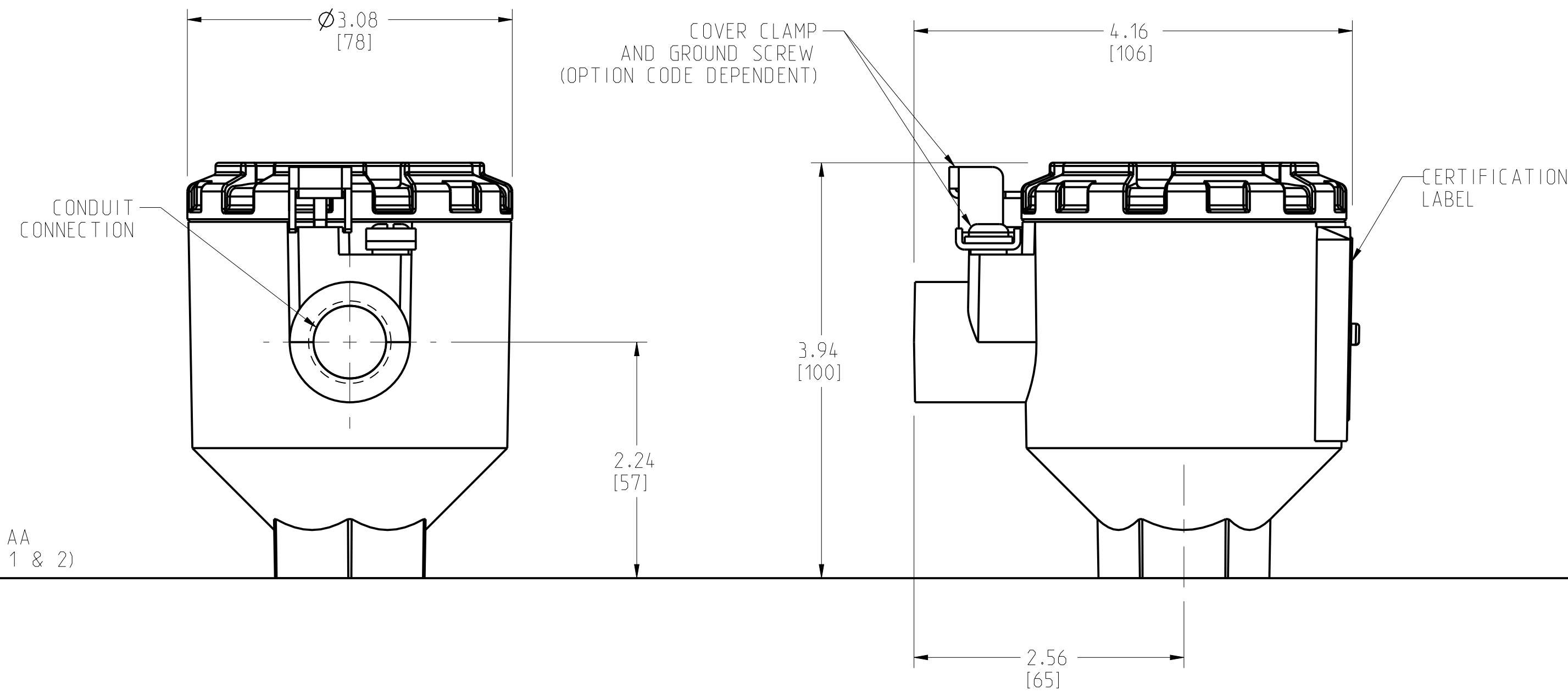
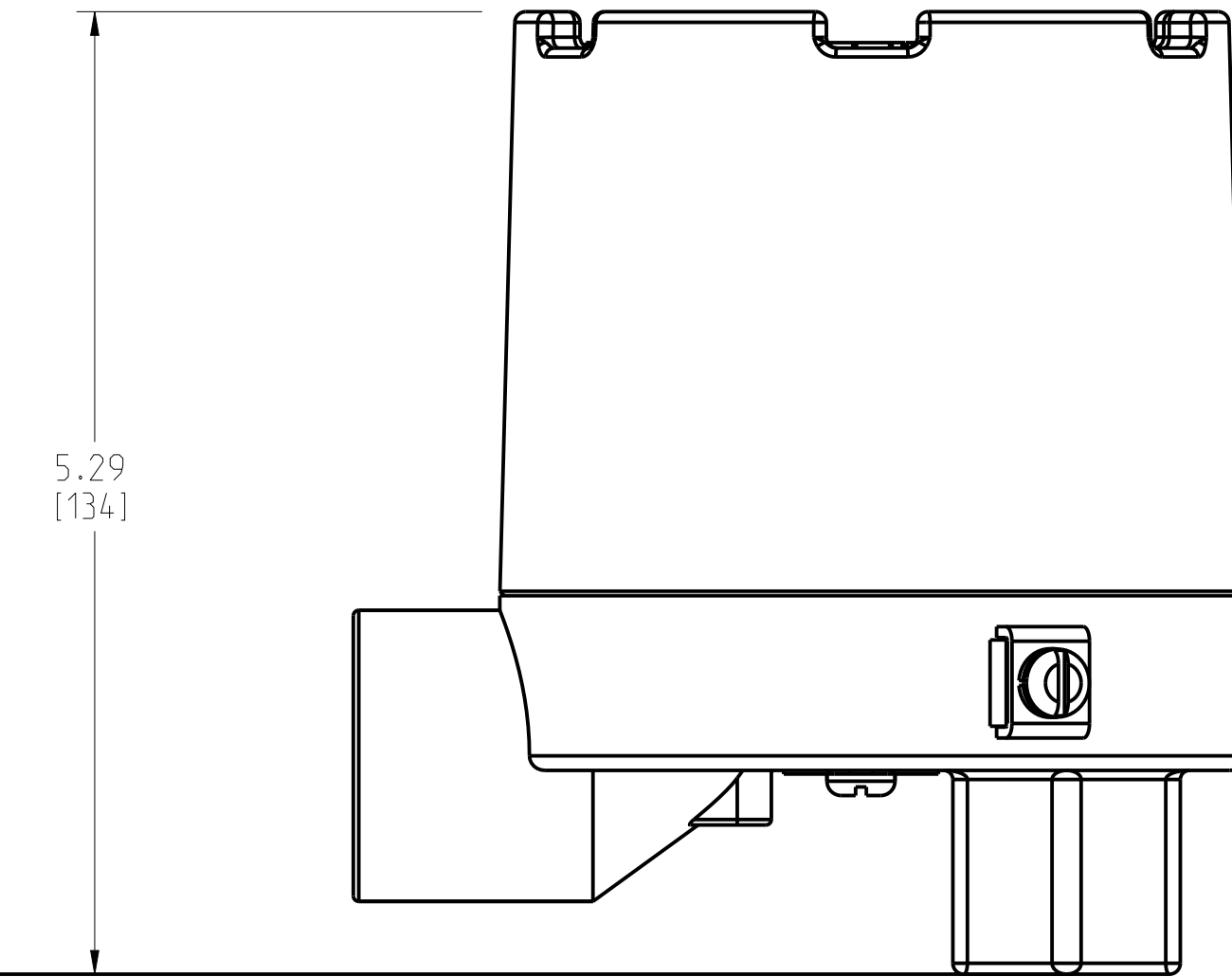
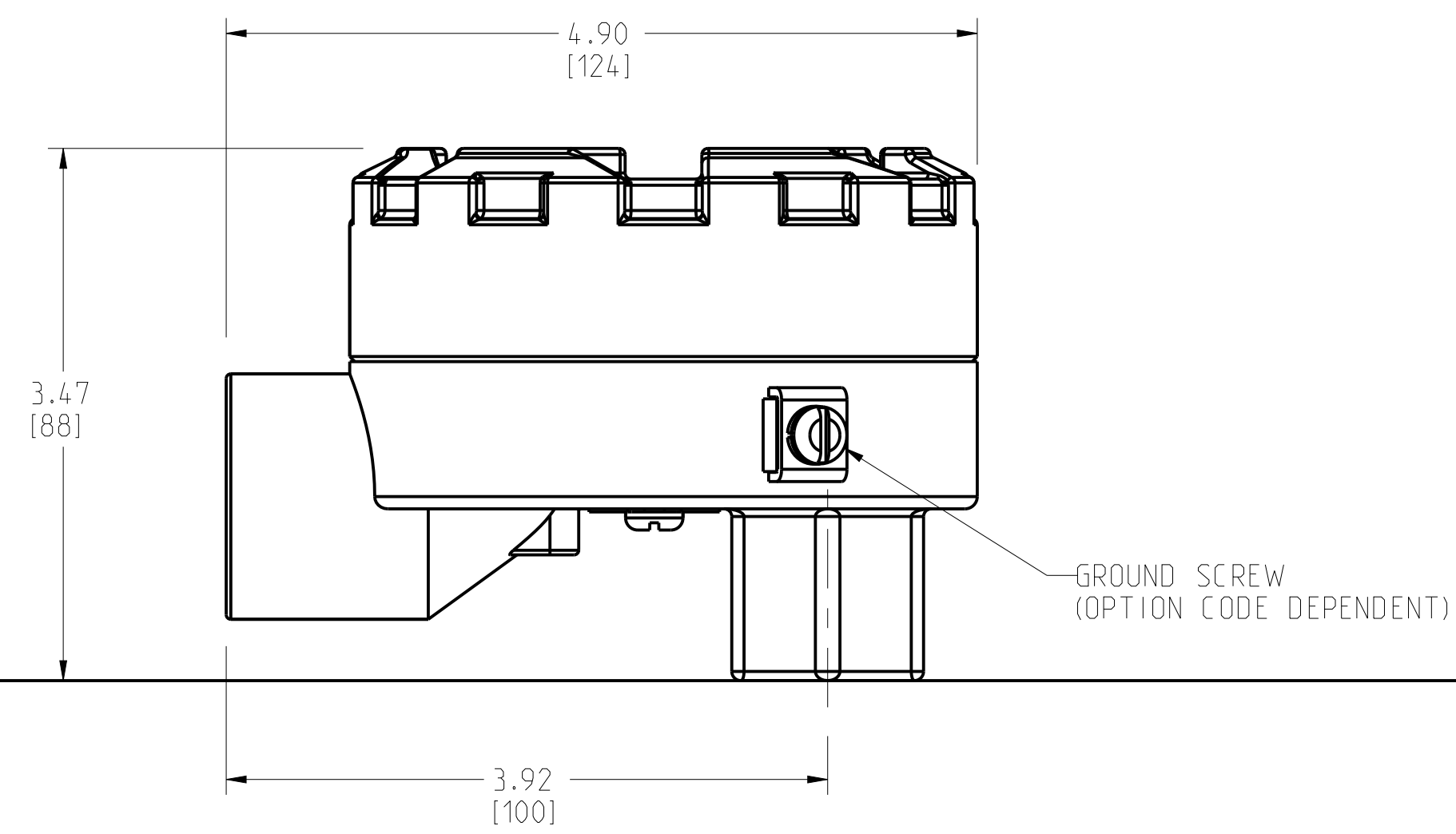
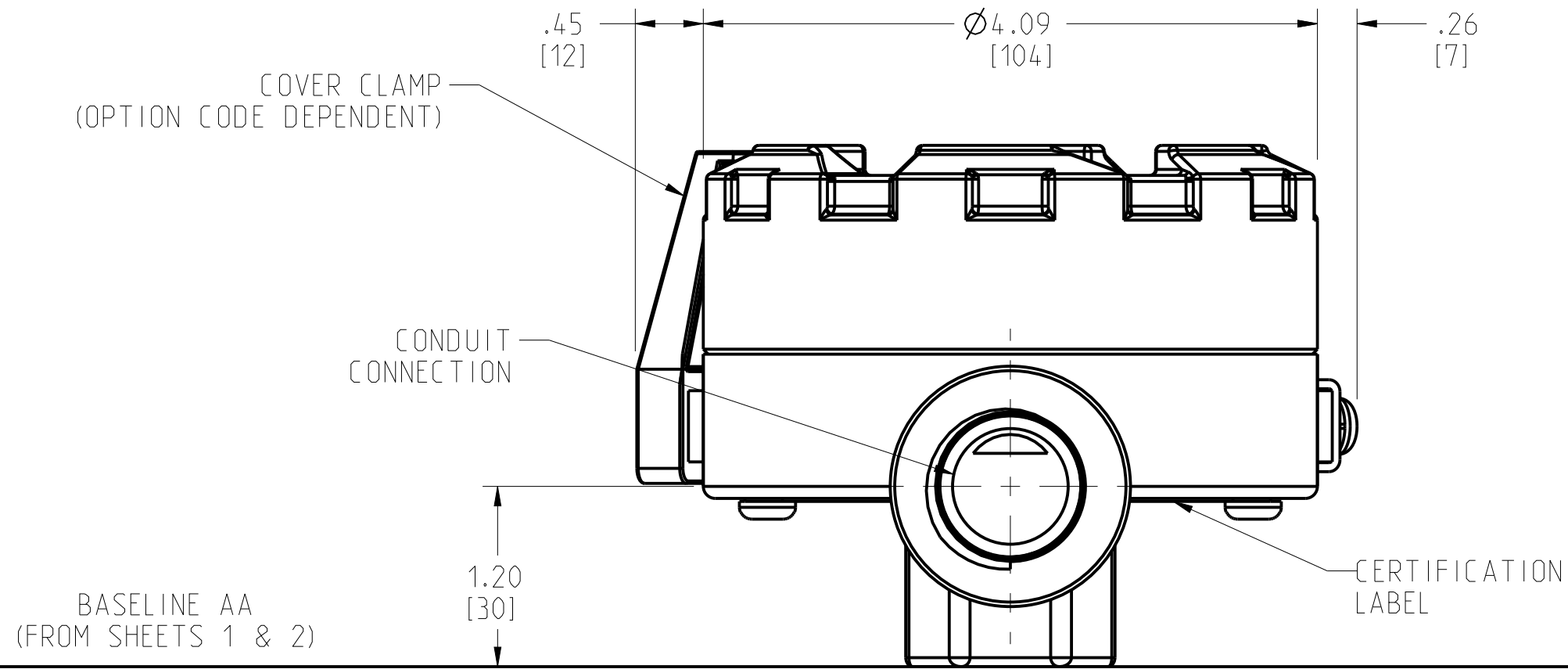
UNLESS OTHERWISE SPECIFIED CONNECTIONS AND PRESSURE RATING INFORMATION IS CONTAINED HEREIN AND MUST BE HANDLED ACCORDINGLY. EMERSON INFORMATION WITHIN THIS DOCUMENT IS NOT INTENDED FOR ENGINEERING USE. REFERENCE TO THIS DOCUMENT SHALL BE MADE FOR ENGINEERING INFORMATION.	CUSTOMER	...	3RD ANGLE	SIZE	SCALE	REV
	CUSTOMER DWG NO.	...		D	3/4	AD
	P.O. No.	...				
	S.O. No.	...				
PROJECT NAME	DR. JLA 3/27/13	DRAWING NO.	00078-0240			
APP'D	JR 3/27/13	PRODUCT CODE	- DOC TYPE D SHEET 2 OF 3			

TAG NO. 00078-0240
DRAWING NO. 00078-0240

ROSEMOUNT 78 TEMPERATURE SENSOR
CONNECTION HEADS

ALUMINUM
CONNECTION HEAD

ALUMINUM CONNECTION
HEAD WITH EXTENDED COVER



ROSEMOUNT ALUMINUM OR SST
CONNECTION HEAD

POLYPROPYLENE
CONNECTION HEAD

<small>UNLESS OTHERWISE SPECIFIED CONNECTIONS AND DIMENSIONS ARE IN INCHES. DIMENSIONS IN PARENT BRACKETS ARE IN MILLIMETERS. INFORMATION IS CONTAINED HEREIN AND MUST BE HANDLED ACCORDING TO EMERSON</small>	CUSTOMER	...	3RD ANGLE	SIZE	SCALE	REV
	CUSTOMER DWG NO.	...		D	1/1	AD
	P.O. No.	...				
	S.O. No.	...	TITLE ROSEMOUNT 78 TEMPERATURE SENSOR BARSTOCK THERMOWELL			
PROJECT NAME	DR. JLA 3/27/13	DRAWING NO.	00078-0240			
APP'D	JR 3/27/13	PRODUCT CODE	- DOC TYPE D SHEET 3 OF 3			

TAG NO. 00078-0240
 DRAWING NO.