

4 3 2 1

TABULATION  
DASH NO.

REVISIONS

REV	DESCRIPTION	ECO NO.	APP'D	DATE
BB	CHG LAY LENGTH TOLERANCE TO ±.16; ADD WAFER FACE TO FACE TOL ±.04	RTC1026038	A.T.L.	5/8/08

DETAIL A

NOMINAL SIZE	A ±.16 [4,1] INCH [mm]	A ±.16 [4,1] ANSI RTJ INCH [mm]	ØB ±.03 [0,8] INCH [mm]	C ±.20 [5,1] INCH [mm]	WEIGHT LB (kg)
	.5 IN METER DN15	150 LB 6.8 [173]	--	.54 [13,7]	7.6 [193]
	300 LB 7.2 [183]	7.6 [193]	.54 [13,7]	7.6 [193]	10.4 [4,7]
	600 LB 7.7 [196]	7.6 [193]	.54 [13,7]	7.6 [193]	10.8 [4,9]
	900 LB 8.3 [211]	8.3 [211]	.54 [13,7]	7.6 [193]	15.6 [7,1]
	PN16/40 6.1 [155]	--	.54 [13,7]	7.6 [193]	10.4 [4,7]
	PN100 6.6 [168]	--	.54 [13,7]	7.6 [193]	12.4 [5,6]
	PN160 6.6 [168]	--	.54 [13,7]	7.6 [193]	12.4 [5,6]
	JIS 10K/20K 6.3 [160]	--	.54 [13,7]	7.6 [193]	10.2 [4,6]
	JIS 40K 7.3 [185]	--	.54 [13,7]	7.6 [193]	13.7 [6,2]
1 IN METER DN25	150 LB 7.5 [191]	8.0 [203]	.95 [24,1]	7.7 [196]	12.3 [5,6]
	300 LB 8.0 [203]	8.5 [216]	.95 [24,1]	7.7 [196]	15.0 [6,8]
	600 LB 8.5 [216]	8.5 [216]	.95 [24,1]	7.7 [196]	15.8 [7,2]
	900 LB 9.4 [239]	9.4 [239]	.95 [24,1]	7.7 [196]	24.4 [11,1]
	1500 LB 9.4 [238]	9.4 [239]	.95 [24,1]	7.7 [196]	24.4 [11,1]
	PN16/40 6.2 [157]	--	.95 [24,1]	7.7 [196]	13.6 [6,2]
	PN100 7.7 [196]	--	.95 [24,1]	7.7 [196]	19.6 [8,9]
	PN160 7.7 [196]	--	.95 [24,1]	7.7 [196]	19.6 [8,9]
	PN250 7.8 [198]	--	.95 [24,1]	7.7 [196]	23.7 [10,7]
	JIS 10K/20K 6.5 [165]	--	.95 [24,1]	7.7 [196]	14.0 [6,3]
	JIS 40K 7.8 [198]	--	.95 [24,1]	7.7 [196]	17.7 [7,9]
1.5 IN METER DN40	150 LB 8.2 [208]	8.7 [221]	1.49 [37,8]	8.1 [206]	17.6 [8,0]
	300 LB 8.7 [221]	9.2 [234]	1.49 [37,8]	8.1 [206]	23.0 [10,5]
	600 LB 9.3 [236]	9.3 [236]	1.49 [37,8]	8.1 [206]	25.5 [11,6]
	900 LB 10.3 [262]	10.3 [262]	1.49 [37,8]	8.1 [206]	36.6 [16,6]
	1500 LB 10.3 [262]	10.3 [262]	1.49 [37,8]	8.1 [206]	36.6 [16,6]
	PN16/40 6.9 [175]	--	1.49 [37,8]	8.1 [206]	19.4 [8,8]
	PN100 8.2 [208]	--	1.49 [37,8]	8.1 [206]	28.0 [12,7]
	PN160 8.4 [213]	--	1.49 [37,8]	8.1 [206]	29.5 [13,4]
	PN250 9.6 [244]	--	1.49 [37,8]	8.1 [206]	39.2 [17,8]
	JIS 10K/20K 7.3 [185]	--	1.49 [37,8]	8.1 [206]	18.6 [8,4]
	JIS 40K 8.4 [213]	--	1.49 [37,8]	8.1 [206]	25.5 [11,6]

FOR DISPLAY OPTION, ADD 0.2 LB (0.1 kg)

1/2 - 1 1/2 INCH FLANGED STYLE

3. ROSEMOUNT CERTIFIES THESE DRAWINGS ARE IN ACCORDANCE WITH ROSEMOUNT ENGINEERING SPECIFICATIONS AND ACCURATELY REPRESENT THE EQUIPMENT FURNISHED.

2. REFERENCE INSTRUCTION MANUAL FOR DETAIL INSTALLATION INFORMATION AND WIRING CONNECTIONS, ALL MODELS.

1. DIMENSIONS ARE IN INCHES. DIMENSIONS SHOWN IN PARENTHESIS ARE IN MILLIMETERS.

UNLESS OTHERWISE SPECIFIED DIMENSIONS IN INCHES [mm]. REMOVE ALL BURRS AND SHARP EDGES. MACHINE SURFACE FINISH 125

-TOLERANCES-

.X ±.1 [2,5]  
.XX ±.02 [0,5]  
.XXX ±.010 [0,25]

FRACTIONS ANGLES  
± 1/32 ± 2°

DO NOT SCALE PRINT

EMERSON  
Process Management

ROSEMOUNT®  
8200 Market Boulevard Chanhassen, MN 55317 USA

TITLE  
**INSTALLATION DRAWING FOR  
8800 VORTEX FLOWMETER**

DR. D. BROKKE 5/20/99 SIZE C DRAWING NO. 08800-0002 REV BB

APP'D M. BEULKE 6/10/99

CAD MAINTAINED, (PRO/E)

SHEET 1 OF 5

Electronic Master - PRINTED COPIES ARE UNCONTROLLED - Rosemount Proprietary

4

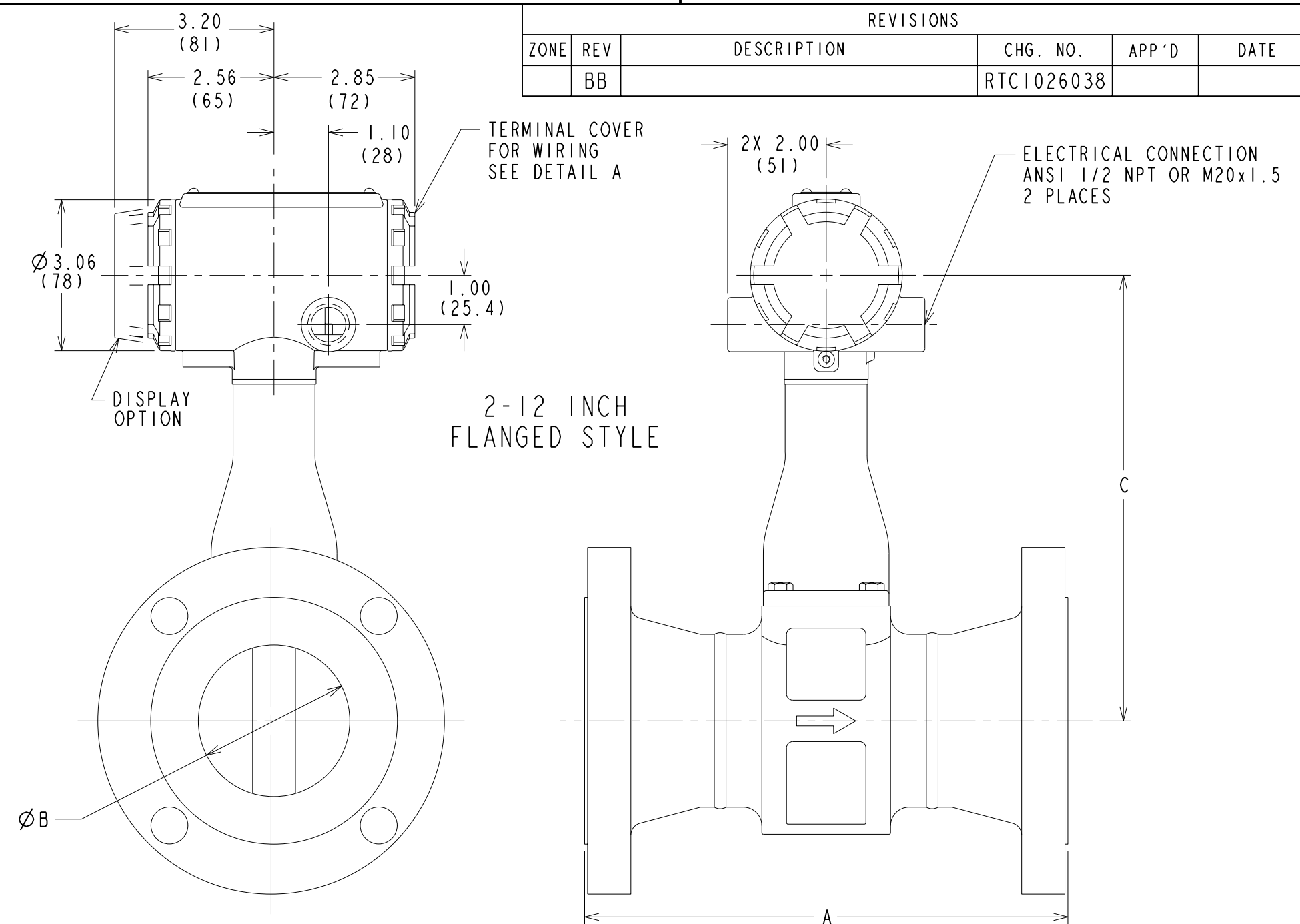
3

2

1

NOMINAL SIZE	A ±.16 [4,1] INCH [mm]	A ±.16 [4,1] ANSI RTJ INCH [mm]	ØB ±.03 [0,8] INCH [mm]	C ±.20 [5,1] INCH [mm]	WEIGHT LB (kg)	
2 IN METER DN50	150 LB	9.2 [234]	9.7 [246]	1.92 [48,8]	8.5 [216]	22.0 [10,1]
	300 LB	9.7 [246]	10.4 [264]	1.92 [48,8]	8.5 [216]	26.1 [11,8]
	600 LB	10.5 [267]	10.6 [269]	1.92 [48,8]	8.5 [216]	29.8 [13,5]
	900 LB	12.7 [323]	12.9 [328]	1.92 [48,8]	8.5 [216]	59.5 [27,0]
	1500 LB	12.7 [323]	12.9 [328]	1.67 [42,4]	8.5 [216]	61.9 [28,1]
	PN16/40	8.0 [203]	--	1.92 [48,8]	8.5 [216]	23.2 [10,5]
	PN64	9.1 [231]	--	1.92 [48,8]	8.5 [216]	30.8 [13,9]
	PN100	9.6 [244]	--	1.92 [48,8]	8.5 [216]	36.5 [16,6]
	PN160	10.2 [259]	--	1.92 [48,8]	8.5 [216]	38.8 [17,6]
	PN250	10.9 [277]	--	1.67 [42,4]	8.5 [216]	47.4 [21,5]
	JIS 10K	7.7 [196]	--	1.92 [48,8]	8.5 [216]	19.5 [8,8]
	JIS 20K	8.2 [208]	--	1.92 [48,8]	8.5 [216]	20.4 [9,3]
	JIS 40K	9.8 [249]	--	1.92 [48,8]	8.5 [216]	28.5 [12,9]
3 IN METER DN80	150 LB	9.9 [251]	10.4 [264]	2.87 [72,9]	9.1 [231]	37.2 [16,9]
	300 LB	10.6 [269]	11.2 [284]	2.87 [72,9]	9.1 [231]	46.5 [21,1]
	600 LB	11.4 [290]	11.5 [292]	2.87 [72,9]	9.1 [231]	52.6 [23,8]
	900 LB	12.9 [328]	13.0 [330]	2.87 [72,9]	9.1 [231]	76.1 [34,5]
	1500 LB	14.1 [358]	14.2 [361]	2.60 [66,0]	9.1 [231]	108.9 [49,4]
	PN16/40	8.9 [226]	--	2.87 [72,9]	9.1 [231]	36.6 [16,6]
	PN64	10.0 [254]	--	2.87 [72,9]	9.1 [231]	45.3 [20,6]
	PN100	10.5 [267]	--	2.87 [72,9]	9.1 [231]	54.7 [24,8]
	PN160	11.1 [282]	--	2.87 [72,9]	9.1 [231]	59.6 [27,0]
	PN250	12.4 [315]	--	2.60 [66,0]	9.1 [231]	90.1 [40,9]
	JIS 10K	7.9 [201]	--	2.87 [72,9]	9.1 [231]	28.0 [12,7]
	JIS 20K	9.3 [236]	--	2.87 [72,9]	9.1 [231]	35.4 [16,1]
	JIS 40K	11.0 [279]	--	2.87 [72,9]	9.1 [231]	50.3 [22,8]
4 IN METER DN100	150 LB	10.3 [262]	10.8 [274]	3.79 [96,3]	9.6 [244]	51.3 [23,3]
	300 LB	11.0 [279]	11.6 [295]	3.79 [96,3]	9.6 [244]	71.5 [32,4]
	600 LB	12.8 [325]	12.9 [328]	3.79 [96,3]	9.6 [244]	97.5 [44,2]
	900 LB	13.8 [351]	13.9 [353]	3.79 [96,3]	9.6 [244]	120.8 [54,8]
	1500 LB	14.5 [368]	14.6 [371]	3.40 [86,4]	9.6 [244]	162.6 [73,8]
	PN16	8.4 [213]	--	3.79 [96,3]	9.6 [244]	40.4 [18,3]
	PN40	9.4 [239]	--	3.79 [96,3]	9.6 [244]	49.5 [22,4]
	PN64	10.4 [264]	--	3.79 [96,3]	9.6 [244]	62.5 [28,3]
	PN100	11.3 [287]	--	3.79 [96,3]	9.6 [244]	78.9 [35,8]
	PN160	12.1 [307]	--	3.79 [96,3]	9.6 [244]	86.2 [39,1]
	PN250	13.7 [348]	--	3.40 [86,4]	9.6 [244]	143.4 [65,0]
	JIS 10K	8.7 [221]	--	3.79 [96,3]	9.6 [244]	37.5 [17,0]
	JIS 20K	8.7 [221]	--	3.79 [96,3]	9.6 [244]	45.4 [20,6]
JIS 40K	11.8 [300]	--	3.79 [96,3]	9.6 [244]	75.8 [34,4]	
6 IN METER DN150	150 LB	11.6 [295]	12.1 [307]	5.70 [144,8]	10.8 [274]	91.3 [41,4]
	300 LB	12.3 [312]	13.0 [330]	5.70 [144,8]	10.8 [274]	131.1 [59,5]
	600 LB	14.3 [363]	14.4 [366]	5.70 [144,8]	10.8 [274]	197.6 [89,6]
	900 LB	16.1 [409]	16.2 [411]	5.14 [130,6]	10.8 [274]	277.9 [126,0]
	1500 LB	18.6 [472]	18.8 [478]	5.14 [130,6]	10.8 [274]	375.8 [170,4]
	PN16	8.9 [226]	--	5.70 [144,8]	10.8 [274]	76.4 [34,6]
	PN40	10.5 [267]	--	5.70 [144,8]	10.8 [274]	95.3 [43,7]
	PN64	12.1 [307]	--	5.70 [144,8]	10.8 [274]	140.4 [63,7]
	PN100	13.6 [345]	--	5.70 [144,8]	10.8 [274]	170.3 [77,2]
	PN160	14.7 [373]	--	5.14 [130,6]	10.8 [274]	202.2 [91,7]
	PN250	17.2 [437]	--	5.14 [130,6]	10.8 [274]	312 [141,6]
	JIS 10K	10.6 [269]	--	5.70 [144,8]	10.8 [274]	80.4 [36,5]
	JIS 20K	10.6 [269]	--	5.70 [144,8]	10.8 [274]	98.3 [44,6]
JIS 40K	14.2 [361]	--	5.70 [144,8]	10.8 [274]	176.5 [80,0]	

FOR DISPLAY OPTION, ADD 0.2 LB (0.1 kg)



REVISIONS					
ZONE	REV	DESCRIPTION	CHG. NO.	APP'D	DATE
	BB		RTC1026038		

NOMINAL SIZE	A ±.16 [4,1] INCH [mm]	A ±.16 [4,1] ANSI RTJ INCH [mm]	ØB ±.03 [0,8] INCH [mm]	C ±.20 [5,1] INCH [mm]	WEIGHT LB (kg)	
8 IN METER DN200	150 LB	13.5 [343]	14.0 [356]	7.55 [191,8]	11.7 [297]	141.6 [64,2]
	300 LB	14.3 [363]	14.9 [378]	7.55 [191,8]	11.7 [297]	198.7 [90,1]
	600 LB	16.5 [419]	16.7 [424]	7.55 [191,8]	11.7 [297]	298.6 [135,4]
	900 LB	18.8 [478]	18.9 [480]	6.62 [168,1]	11.7 [297]	479.2 [217,4]
	1500 LB	22.8 [579]	23.2 [589]	6.62 [168,1]	11.7 [297]	652.4 [295,9]
	PN10	10.4 [264]	--	7.55 [191,8]	11.7 [297]	110.5 [50,1]
	PN16	10.4 [264]	--	7.55 [191,8]	11.7 [297]	109.4 [49,6]
	PN25	11.8 [300]	--	7.55 [191,8]	11.7 [297]	137.7 [62,5]
	PN40	12.5 [318]	--	7.55 [191,8]	11.7 [297]	156.5 [71,0]
	PN64	14.2 [361]	--	7.55 [191,8]	11.7 [297]	217.1 [98,5]
	PN100	15.8 [401]	--	7.55 [191,8]	11.7 [297]	282.7 [128,2]
	PN160	16.6 [422]	--	6.62 [168,1]	11.7 [297]	346.6 [157,2]
	PN250	20.5 [521]	--	6.62 [168,1]	11.7 [297]	570.5 [258,8]
	JIS 10K	12.2 [310]	--	7.55 [191,8]	11.7 [297]	110.1 [49,9]
	JIS 20K	12.2 [310]	--	7.55 [191,8]	11.7 [297]	134.5 [61,0]
	JIS 40K	16.5 [419]	--	7.55 [191,8]	11.7 [297]	255.7 [116,0]

FOR DISPLAY OPTION, ADD 0.2 LB (0.1 kg)

Rosemount Inc.  
8200 Market Boulevard  
Chanhassen, MN 55317 USA

CAD Maintained, (Pro/E)

DR.	SIZE C	FSCM NO.	DRAWING NO. 08800-0002
	SCALE: NONE	WT.	SHEET 2 OF 5

4

3

2

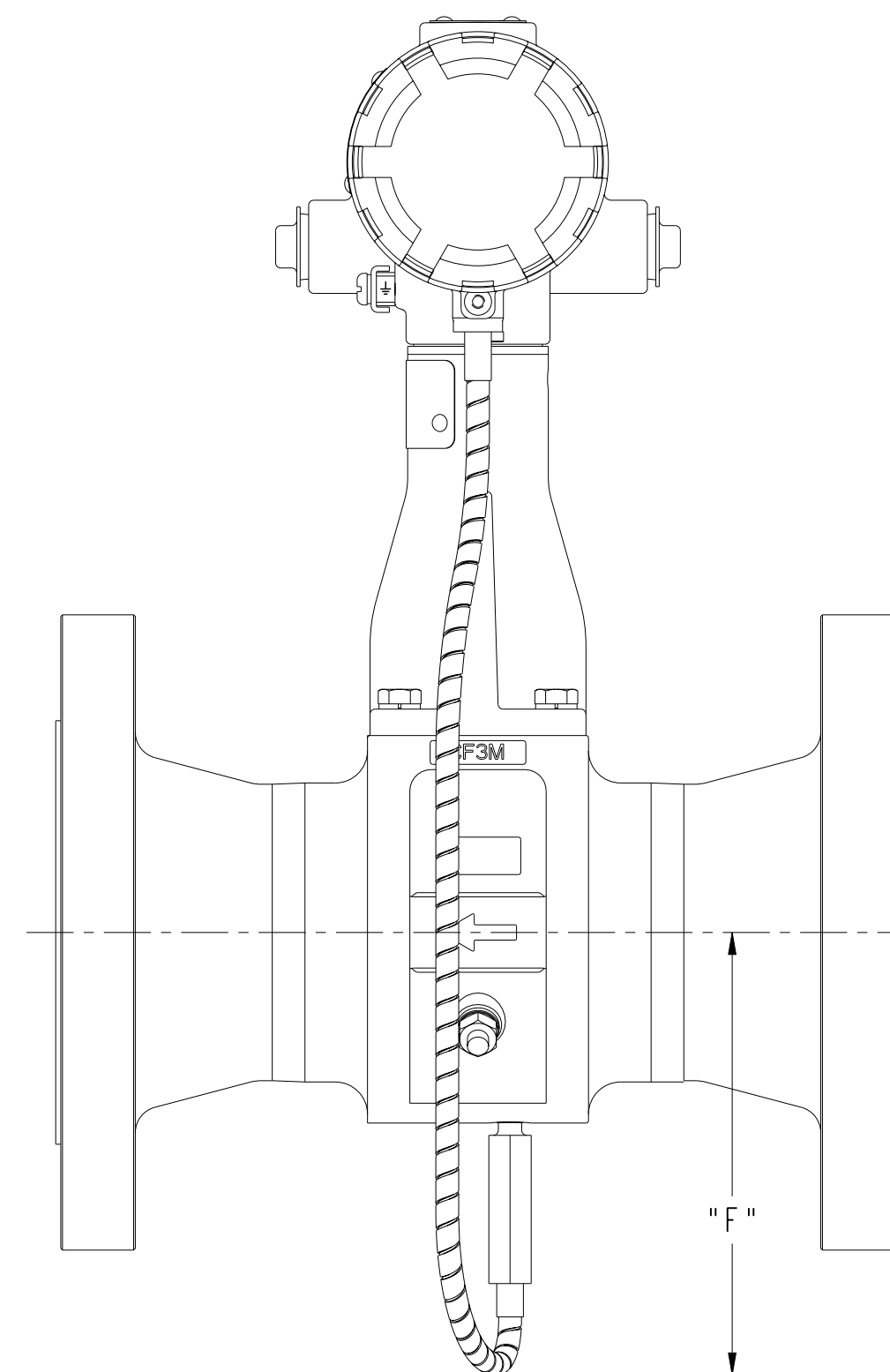
1

NOMINAL SIZE		A ±.16 [4,1] INCH [mm]	A ±.16 [4,1] ANSI RTJ INCH [mm]	ØB ±.03 [0,8] INCH [mm]	C ±.20 [5,1] INCH [mm]	WEIGHT LB (kg)
10 IN METER DN250	150 LB	14.5 [368]	15.0 [381]	9.56 [242,8]	12.8 [325]	197.7 [89,7]
	300 LB	15.8 [401]	16.4 [417]	9.56 [242,8]	12.8 [325]	286.2 [129,8]
	600 LB	19.0 [483]	19.2 [488]	9.56 [242,8]	12.8 [325]	477.9 [216,9]
	PN10	11.9 [302]	--	9.56 [242,8]	12.8 [325]	157.1 [71,3]
	PN16	12.0 [305]	--	9.56 [242,8]	12.8 [325]	161.9 [73,5]
	PN25	13.5 [343]	--	9.56 [242,8]	12.8 [325]	198.6 [90,1]
	PN40	14.8 [376]	--	9.56 [242,8]	12.8 [325]	246.8 [111,9]
	PN64	16.4 [417]	--	9.56 [242,8]	12.8 [325]	308.2 [139,8]
	PN100	18.9 [480]	--	9.56 [242,8]	12.8 [325]	445.2 [201,9]
	JIS 10K	14.5 [368]	--	9.56 [242,8]	12.8 [325]	174.5 [79,1]
JIS 20K	14.5 [368]	--	9.56 [242,8]	12.8 [325]	221.8 [100,6]	
JIS 40K	18.1 [460]	--	9.56 [242,8]	12.8 [325]	378.5 [171,7]	
12 IN METER DN300	150 LB	16.8 [427]	17.3 [439]	11.38 [289,0]	13.7 [348]	297.5 [134,9]
	300 LB	18.0 [457]	18.6 [472]	11.38 [289,0]	13.7 [348]	415.7 [188,6]
	600 LB	20.5 [521]	20.6 [523]	11.38 [289,0]	13.7 [348]	595.4 [270,1]
	PN10	13.1 [333]	--	11.38 [289,0]	13.7 [348]	204.1 [92,6]
	PN16	13.9 [353]	--	11.38 [289,0]	13.7 [348]	224.6 [101,9]
	PN25	15.0 [381]	--	11.38 [289,0]	13.7 [348]	269.4 [122,2]
	PN40	16.8 [427]	--	11.38 [289,0]	13.7 [348]	347.9 [157,8]
	PN64	18.8 [478]	--	11.38 [289,0]	13.7 [348]	431.2 [195,6]
	PN100	21.2 [538]	--	11.38 [289,0]	13.7 [348]	644.1 [292,2]
	JIS 10K	15.7 [399]	--	11.38 [289,0]	13.7 [348]	222.9 [101,1]
JIS 20K	15.7 [399]	--	11.38 [289,0]	13.7 [348]	284.2 [128,9]	
JIS 40K	19.6 [498]	--	11.38 [289,0]	13.7 [348]	493.8 [224,0]	

FOR DISPLAY OPTION, ADD 0.2 LB (0.1 kg)

REVISIONS					
ZONE	REV	DESCRIPTION	CHG. NO.	APP'D	DATE
	BB		RTC1026038		

### MTA OPTION 2" - 12" FLANGED ONLY



MTA OPTION	
LINE SIZE	"F"
2	4.7
3	5.3
4	5.9
6	7.4
8	8.3
10	9.3
12	10.1

Rosemount Inc.  
8200 Market Boulevard  
Chanhassen, MN 55317 USA

CAD Maintained, (Pro/E)

DR.	X	X	SIZE C	FSCM NO.	DRAWING NO.	08800-0002
SCALE: 1:2			WT.	SHEET 3 OF 5		

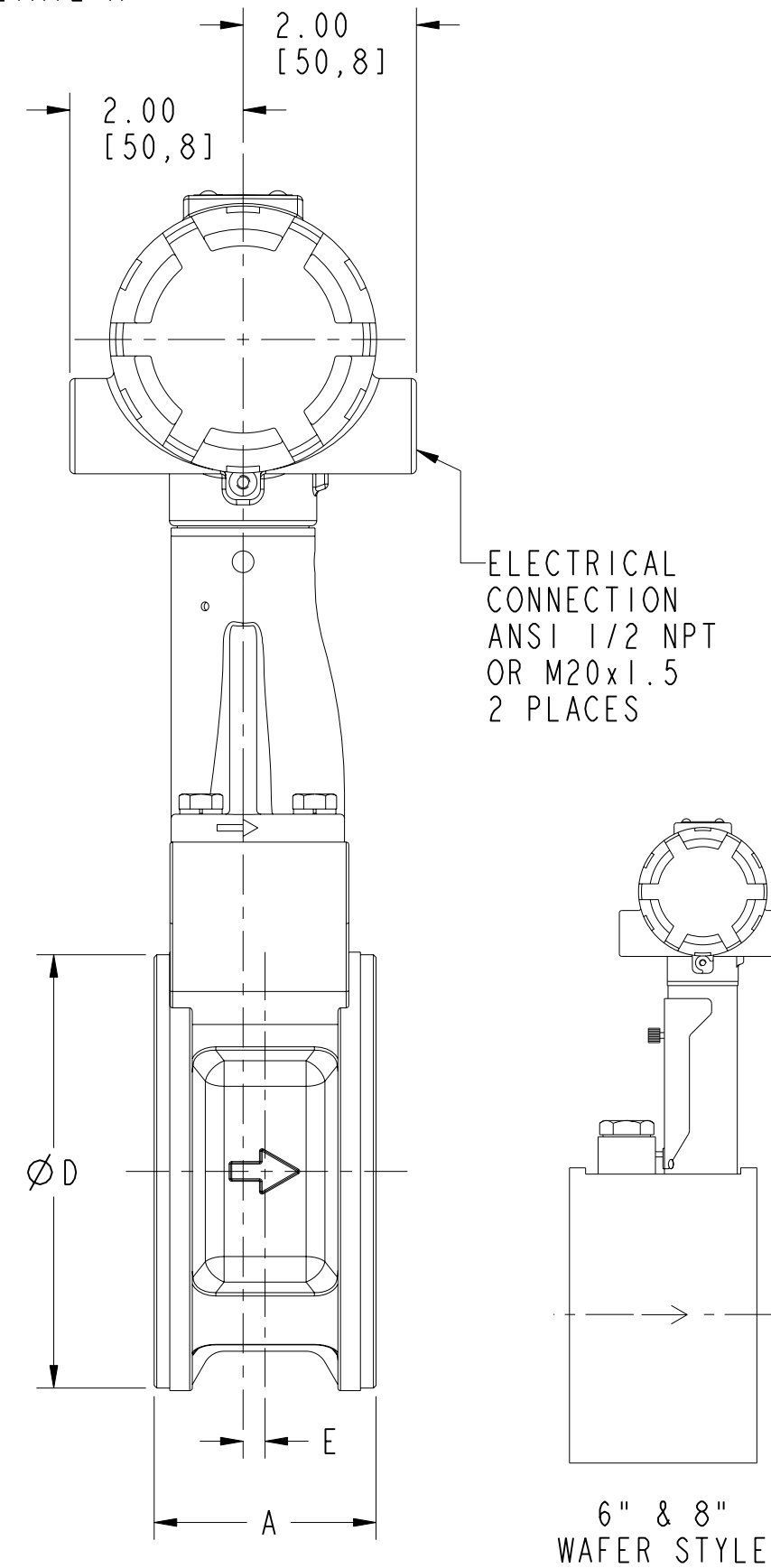
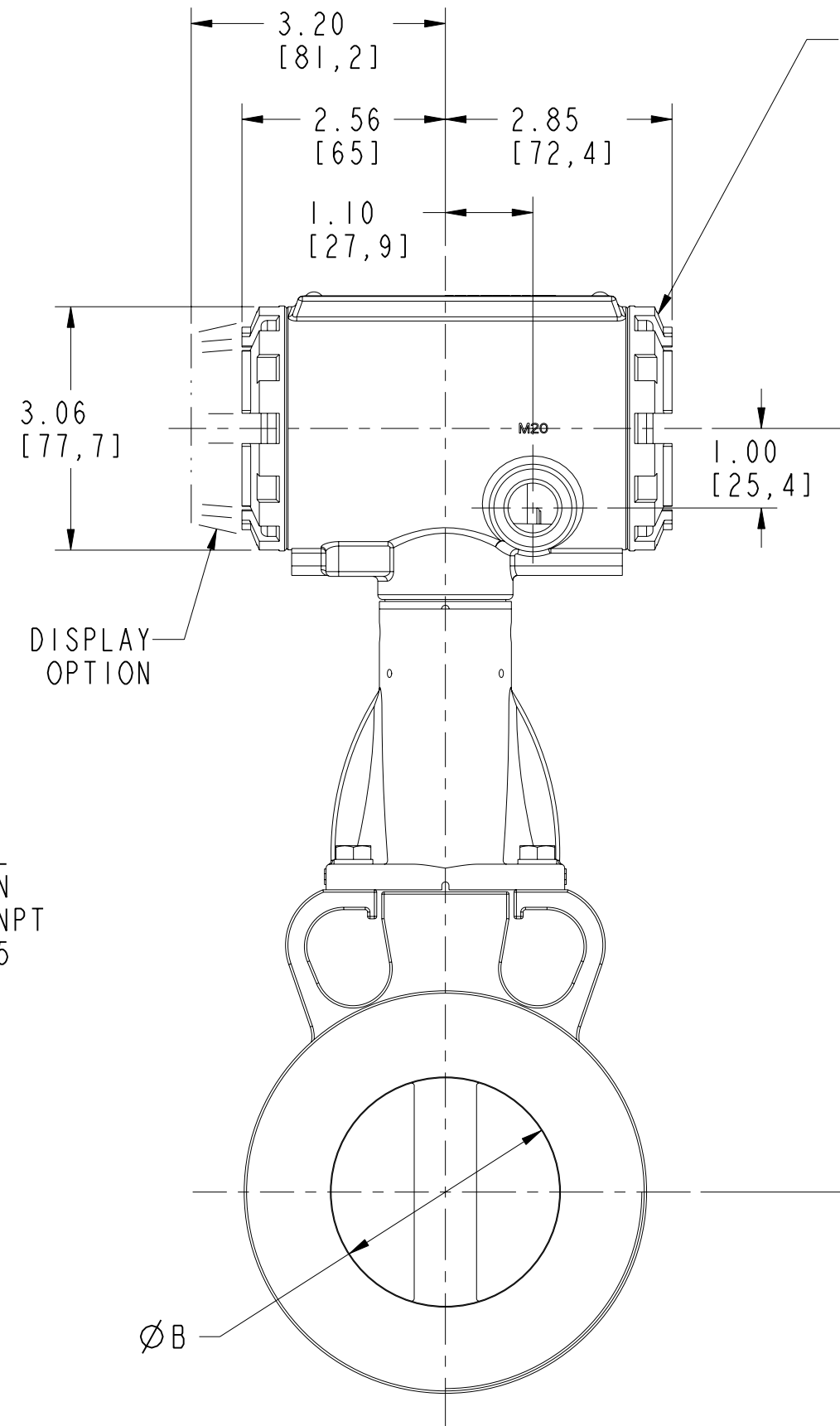
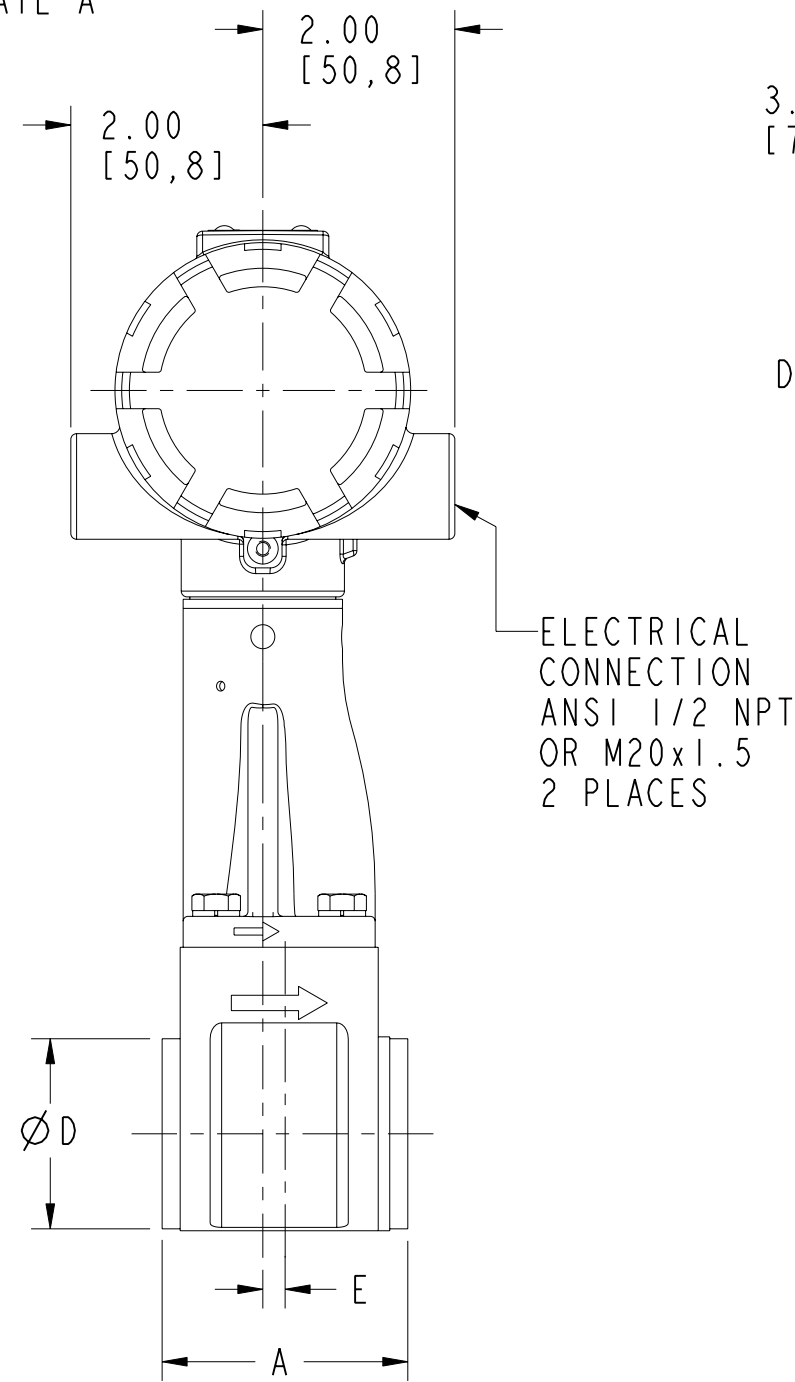
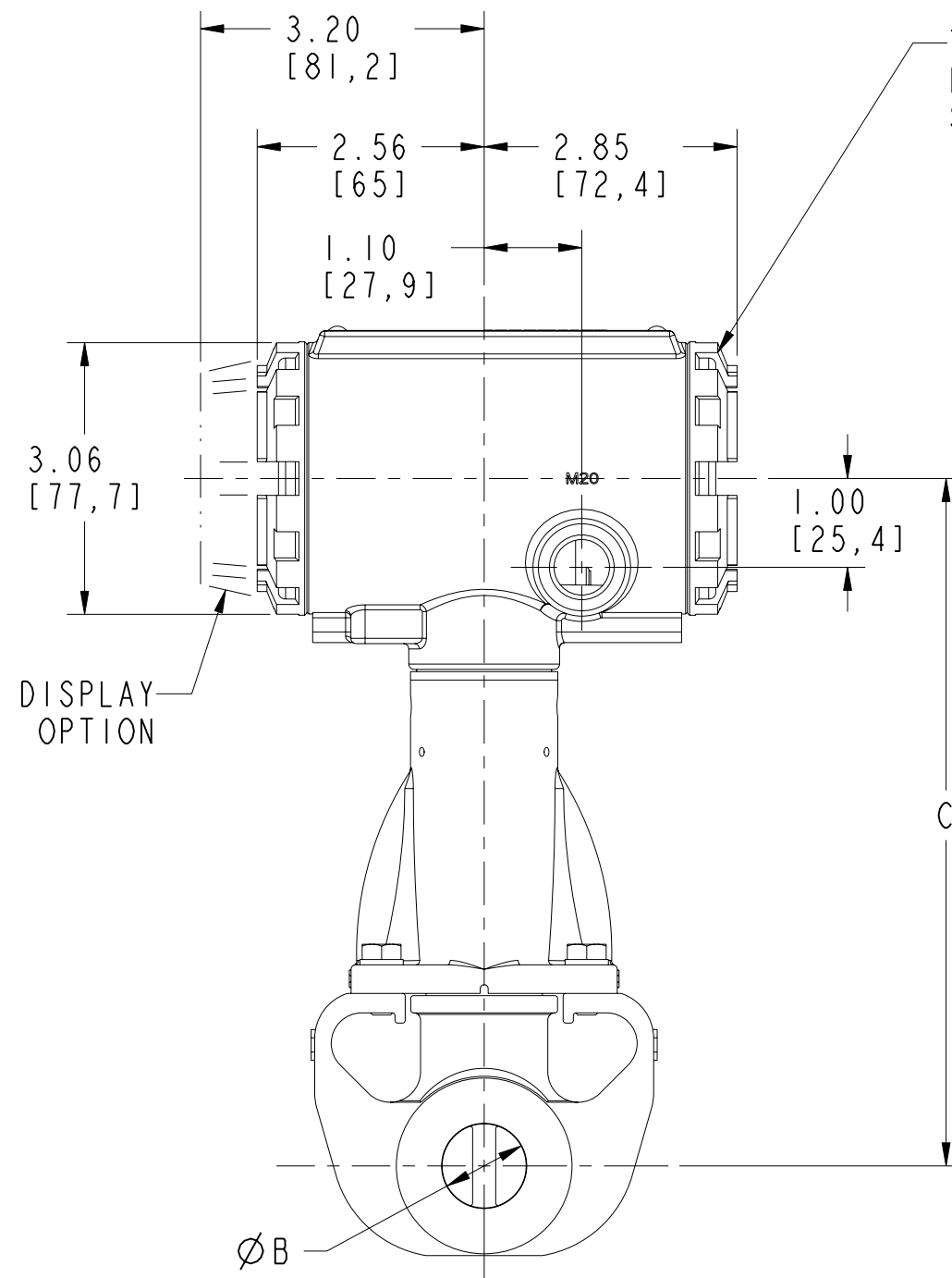
4

3

2

1

REVISIONS					
ZONE	REV	DESCRIPTION	CHG. NO.	APP'D	DATE
	BB		RTC1026038		



NOMINAL SIZE INCH [mm]	A ±.04 [1]	ØB	C ±.20 [5,1]	ØD	E	WEIGHT LB [kg]
1/2 [15]	2.56 [65]	.52 [13,2]	7.63 [194]	1.38 [35,1]	.17 [4,3]	6.8 [3,1]
1 [25]	2.56 [65]	.95 [24,1]	7.74 [197]	1.98 [50,3]	.23 [5,9]	7.4 [3,4]
1-1/2 [40]	2.56 [65]	1.49 [37,8]	8.14 [206]	2.87 [72,9]	.18 [4,5]	10.0 [4,5]

1 THRU 1 1/2 INCH WAFER STYLE

NOMINAL SIZE INCH [mm]	A ±.04 [1]	ØB	C ±.20 [5,1]	ØD	E	WEIGHT LB [kg]
2 [50]	2.56 [65]	1.92 [48,8]	8.85 [224,8]	3.86 [98,0]	.12 [3,0]	10.6 [4,8]
3 [80]	2.56 [65]	2.87 [72,9]	9.62 [244,4]	5.00 [127,0]	.25 [6,4]	13.6 [6,2]
4 [100]	3.42 [86,9]	3.79 [96,3]	10.48 [266,2]	6.20 [157,5]	.44 [11,2]	21.4 [9,7]
6 [150]	4.99 [126,7]	5.70 [144,8]	10.75 [273]	8.50 [215,9]	1.11 [28,2]	49.1 [22,3]
8 [200]	6.60 [168]	7.55 [192]	11.67 [296]	10.62 [270]	.89 [23]	85 [38,6]

2 THRU 8 INCH WAFER STYLE

Rosemount Inc.  
8200 Market Boulevard  
Chanhassen, MN 55317 USA

CAD Maintained, (Pro/E)

DR.	SIZE C	FSCM NO.	DRAWING NO.	08800-0002
	SCALE: 1:2	WT.	SHEET 4 OF 5	

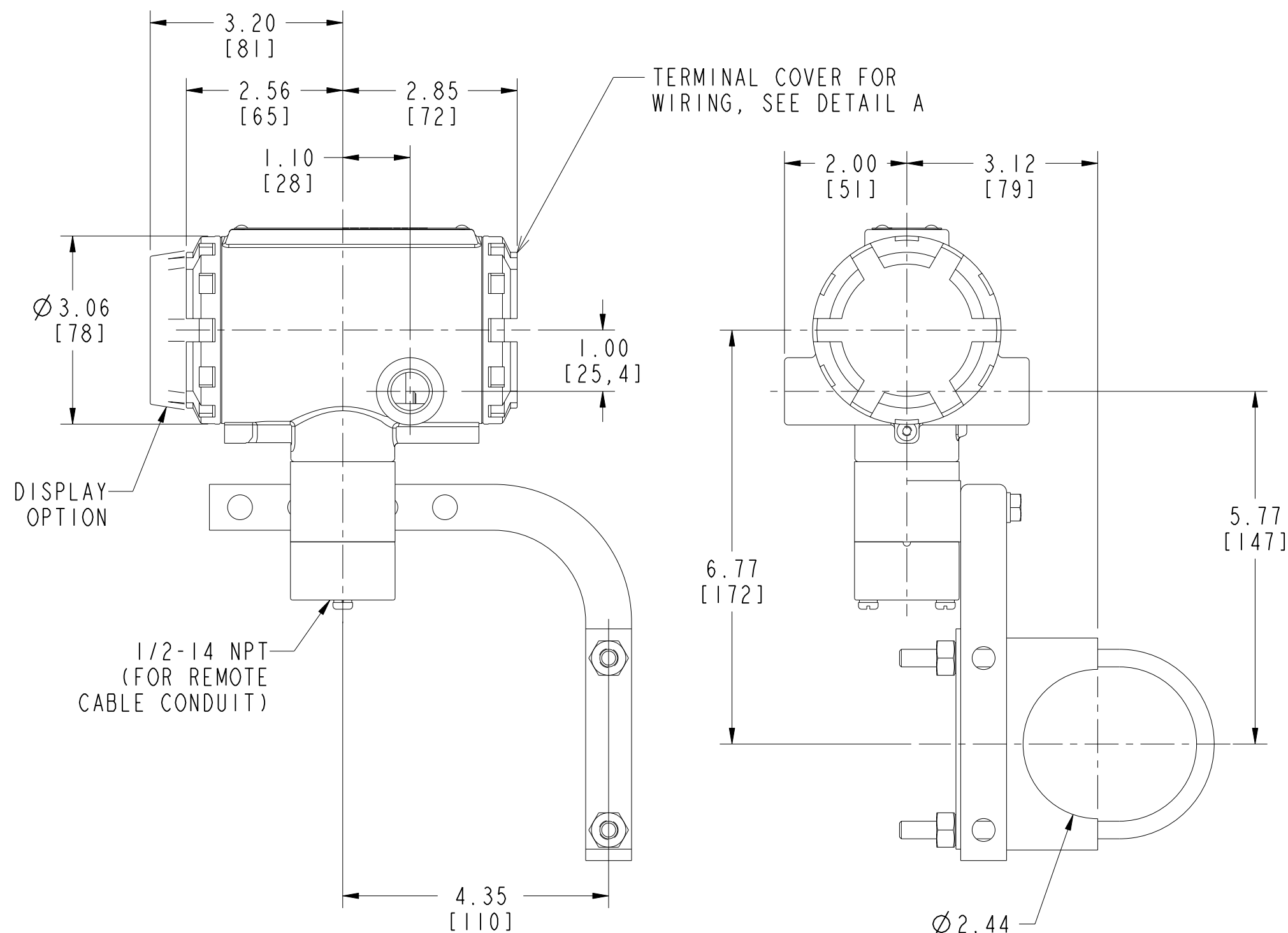
4

3

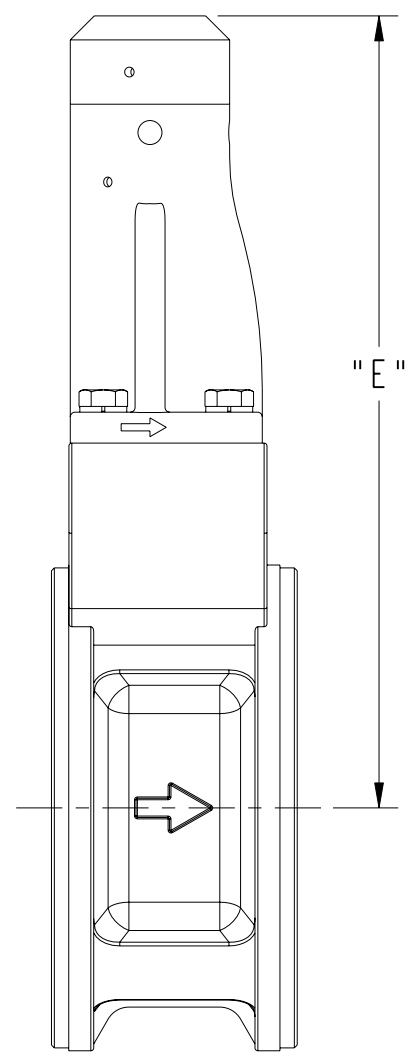
2

1

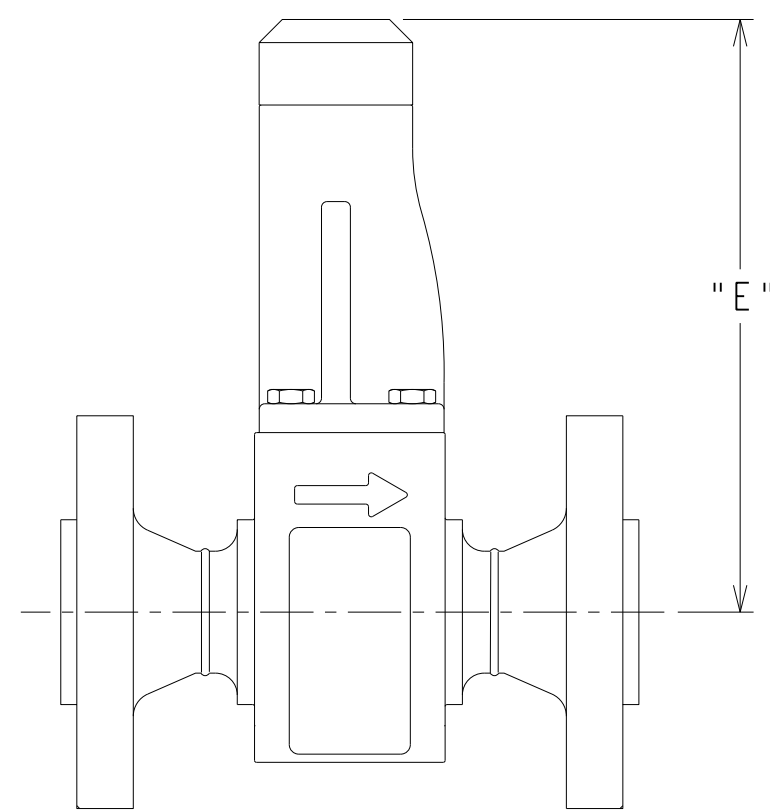
REVISIONS					
ZONE	REV	DESCRIPTION	CHG. NO.	APP'D	DATE
	BB		RTC1026038		



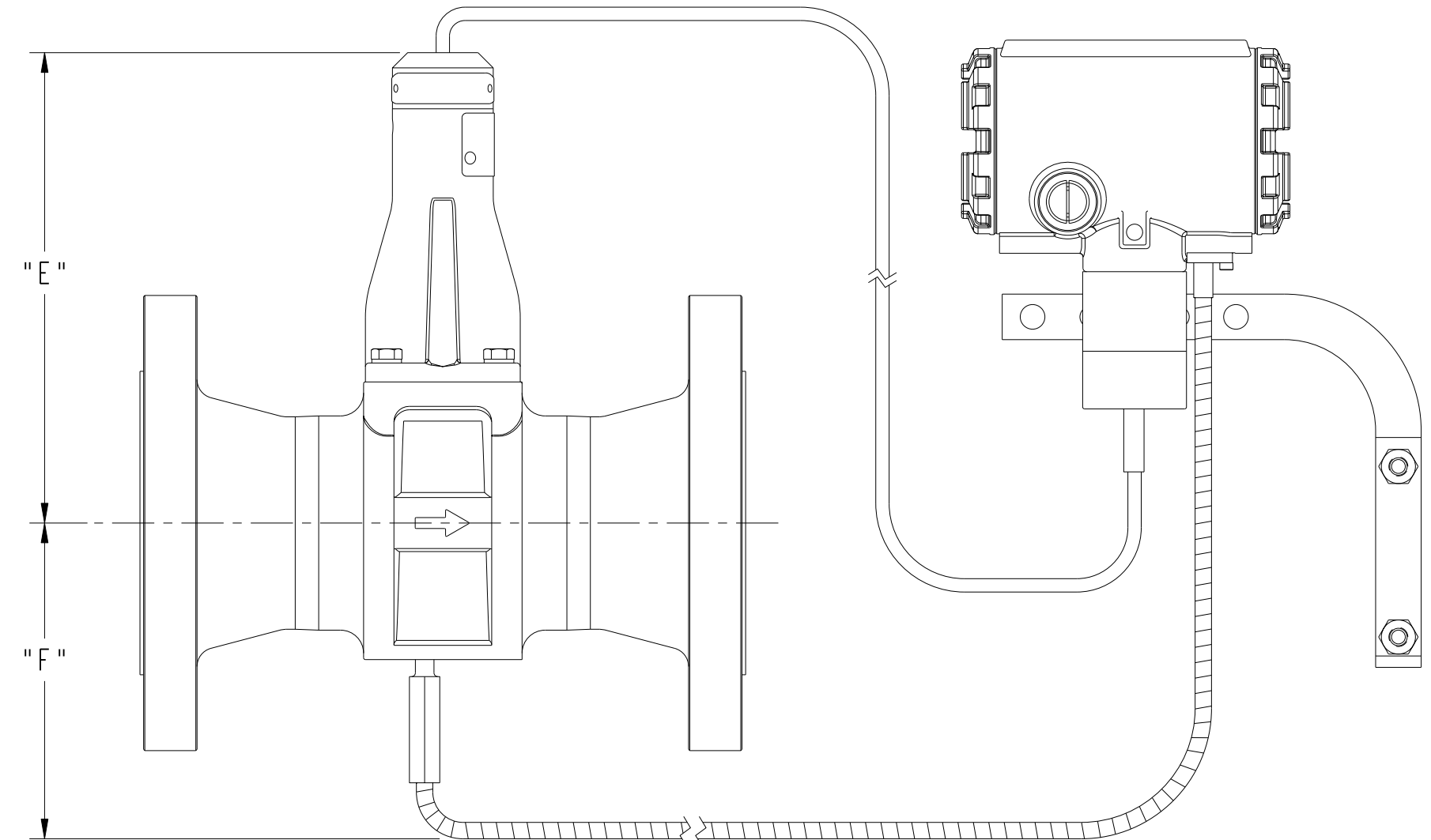
REMOTE MOUNT			
NOMINAL SIZE INCH [mm]	WAFER STYLE "E" ±.2 [5]	FLANGE STYLE "E"	FLANGE STYLE "F"
.5" METER	6.3 [160]	6.4 [162]	-
1" METER	6.5 [165]	6.5 [165]	-
1.5" METER	6.7 [170]	6.8 [173]	-
2" METER	7.5 [191]	7.2 [183]	4.7 [119]
3" METER	8.3 [211]	7.8 [198]	5.3 [135]
4" METER	9.2 [234]	8.3 [211]	5.9 [150]
6" METER	9.5 [241]	9.5 [241]	7.4 [188]
8" METER	10.4 [264]	10.4 [264]	8.3 [211]
10" METER	-	11.4 [290]	9.3 [236]
12" METER	-	12.3 [312]	10.1 [256]



REMOTE MOUNT  
WAFER STYLE



REMOTE MOUNT  
FLANGED STYLE



REMOTE MOUNT  
WITH MTA OPTION

Rosemount Inc.  
8200 Market Boulevard  
Chanhassen, MN 55317 USA

CAD Maintained, (Pro/E)

DR.	SIZE C	FSCM NO.	DRAWING NO. 08800-0002
	SCALE: NONE	WT.	SHEET 5 OF 5