

RELIEF VALVES

V Series



Type V/50



Type V/60



Type V/20-2

V Series Relief Valves

V/50 and V/60 Series Spring-Loaded Relief Valves

The spring-loaded relief valves are designed to keep line pressure below preset values. They are mounted downstream of regulators and perform the specific function of releasing small amounts of gas in the event of the regulator not closing perfectly.

Thanks to their effective release capacity and compact size, the V/ series relief valves are ideal for use in civil and industrial equipment.

The valves are extremely easy to install and are designed for ready and easy maintenance.

The V/50 and V/60 series relief valves are especially designed for use with low pressures.

Special care and attention has been given to their construction features in order to ensure a very low hysteresis value as well as maximum operation accuracy and sensitivity.

The main features are as follows:

- **Easy installation and maintenance**
- **Release capacity**
- **Accuracy and sensitivity**

Operation

Whenever gas pressure under diaphragm (D) is higher than the force exerted by spring (M), diaphragm is raised causing sleeve (O), which is integral with the diaphragm itself, to move and thereby open the release orifice.

In order to check the efficiency of the relief valve, pull up valve opening stem (S).

Valve setting is carried out by adjusting the compression of spring (M) through the appropriate ring (G).

Valve set point should generally be at an intermediate value between active regulator or monitor and slam-shut valve (if fitted) set points.

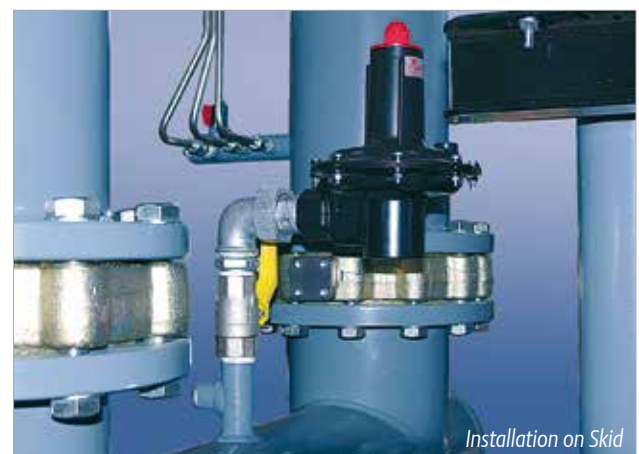
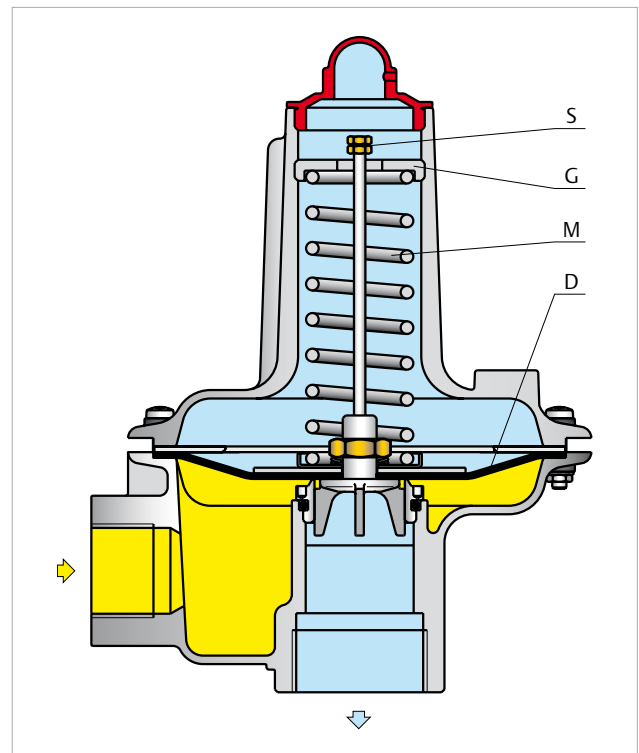
In all other cases, it is recommended that relief valve be set at a value at least 15% higher than the working pressure of the equipment.

Installation and Assembly

The relief valve is normally installed downstream of the regulator. Gas is released into the atmosphere at an appropriate height, according to effective standards.

Gas release pipe diameter must not be less than valve outlet pipe diameter.

Relief valve efficiency and performance are in no way affected by direction of installation.



V Series Relief Valves

Features

Applications This product has been designed to be used with fuel gases of 1st and 2nd family according to EN 437, and with other non aggressive and non fuel gases. For any other gases, other than natural gas, please contact your local sales agent.

Type V/50 and V/60: for very low pressure applications
V/51 and V/61: for low pressure applications
V/52 and V/62: for middle pressure applications

Technical Features V/50 Allowable pressure PS : 4 bar
V/60 Allowable pressure PS : 2,5 bar

Type	Set Range W_h bar
V/50	0.025 ÷ 0.08
V/51	0.075 ÷ 0.75
V/52	0.70 ÷ 2.00
V/60	0.025 ÷ 0.09
V/61	0.08 ÷ 0.75
V/62	0.70 ÷ 2.00

Seat diameter

V/50 32 mm

V/60 40 mm

Threaded connections

V/50 inlet - outlet 1" x 1 1/2" BSP

V/60 inlet - outlet 1 1/2" x 2" BSP

Temperature

Standard version

Working -10 °C +60 °C

Low temperature version

Working -20 °C +60 °C

Materials

Body/Cover Aluminium
Valve seat Brass
Diaphragm Fabric NBR nitrile rubber
Gaskets NBR nitrile rubber

Dimensions (mm)

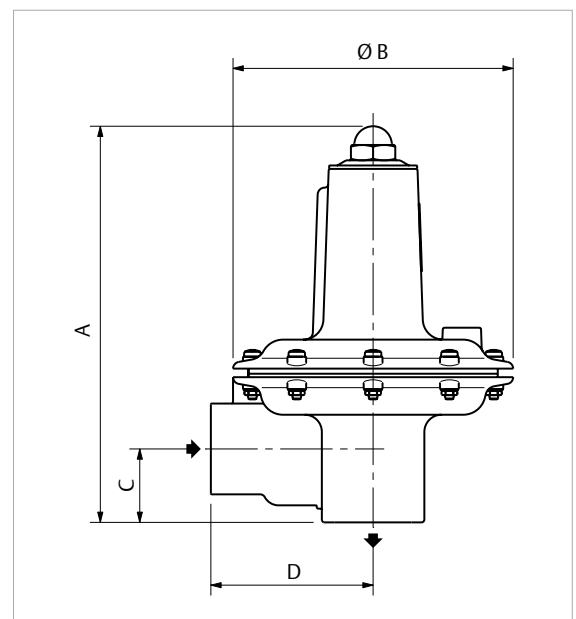
Type	V/50	V/60
A	236	258
B	164	198
C	43	70
D	95	110
Weight (kg)	1.3	1.9



V/50



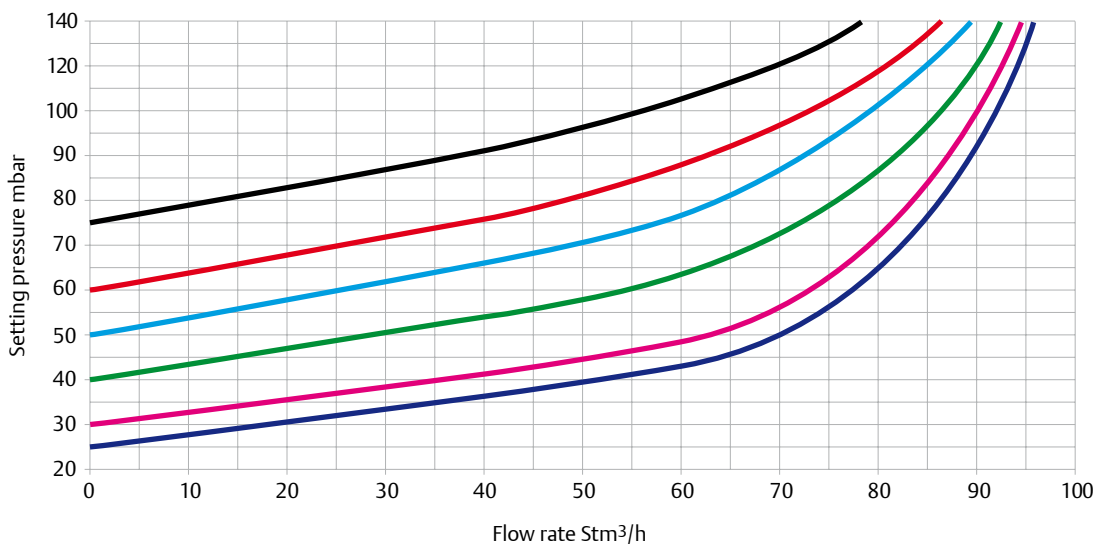
V/60



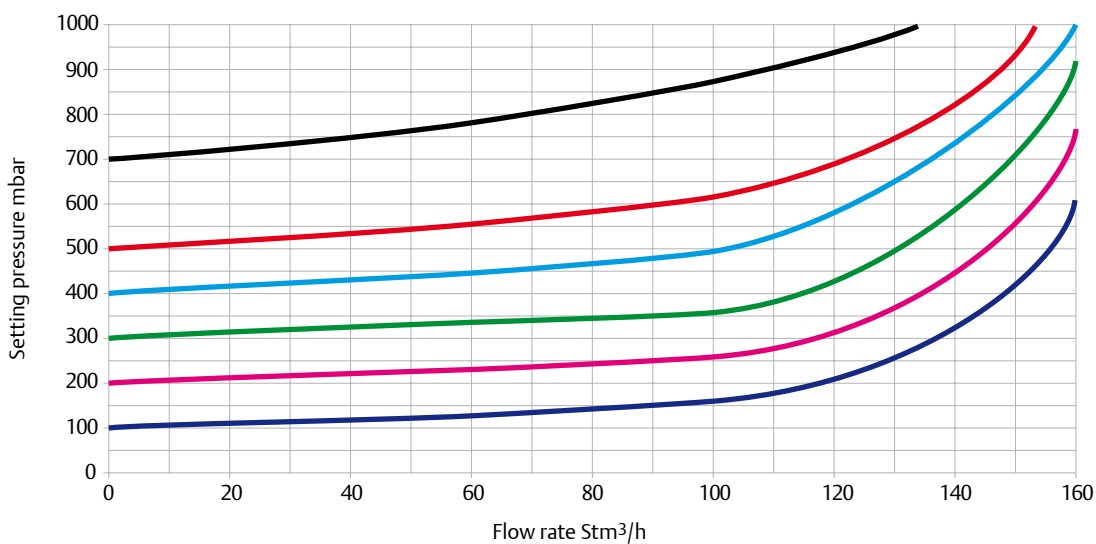
V Series Relief Valves

V/50 - V/51 - V/52 Flow Rate Curves

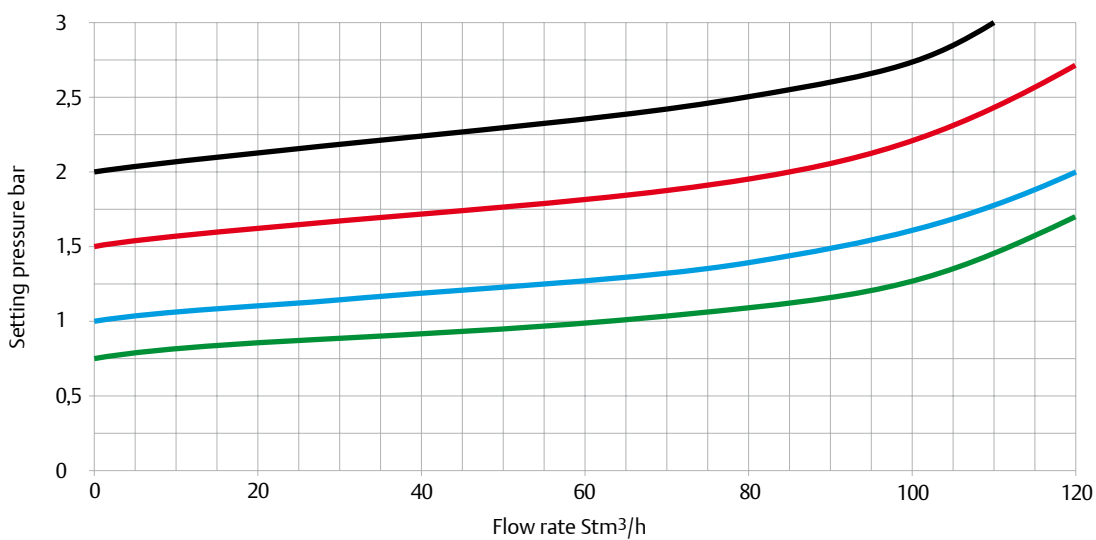
V/50



V/51

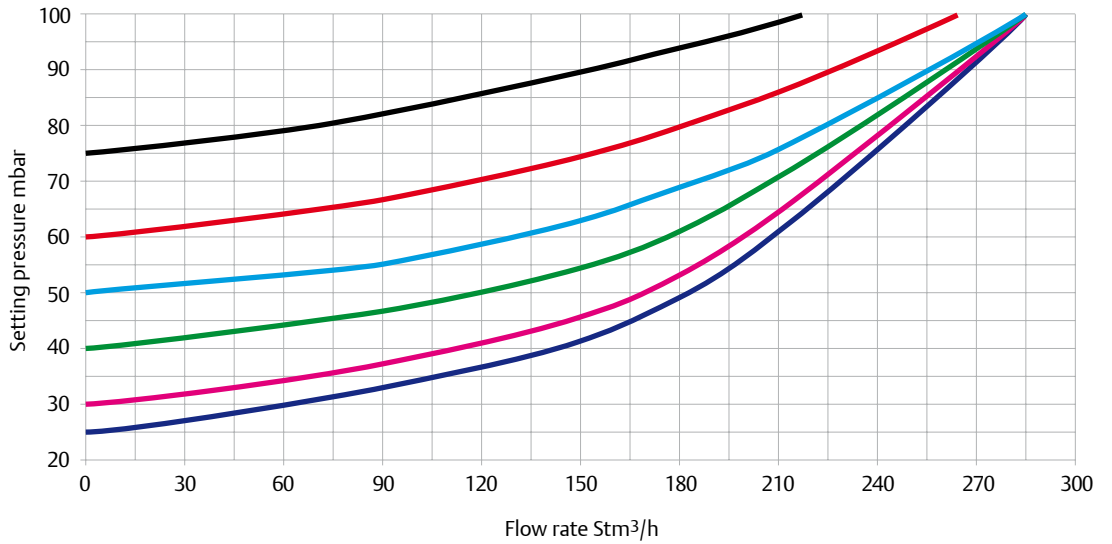


V/52

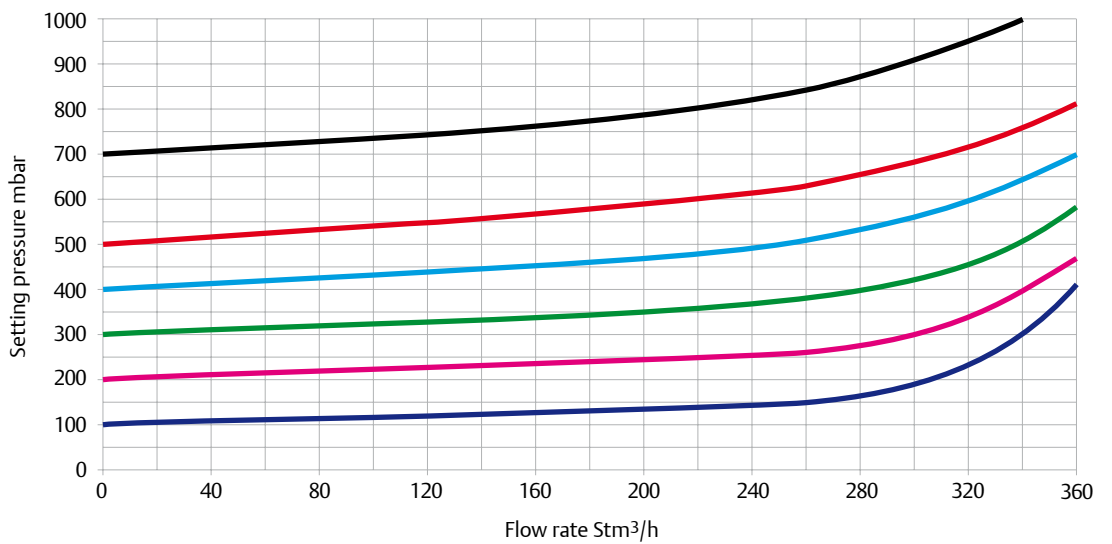


V/60 - V/61 - V/62 Flow Rate Curves

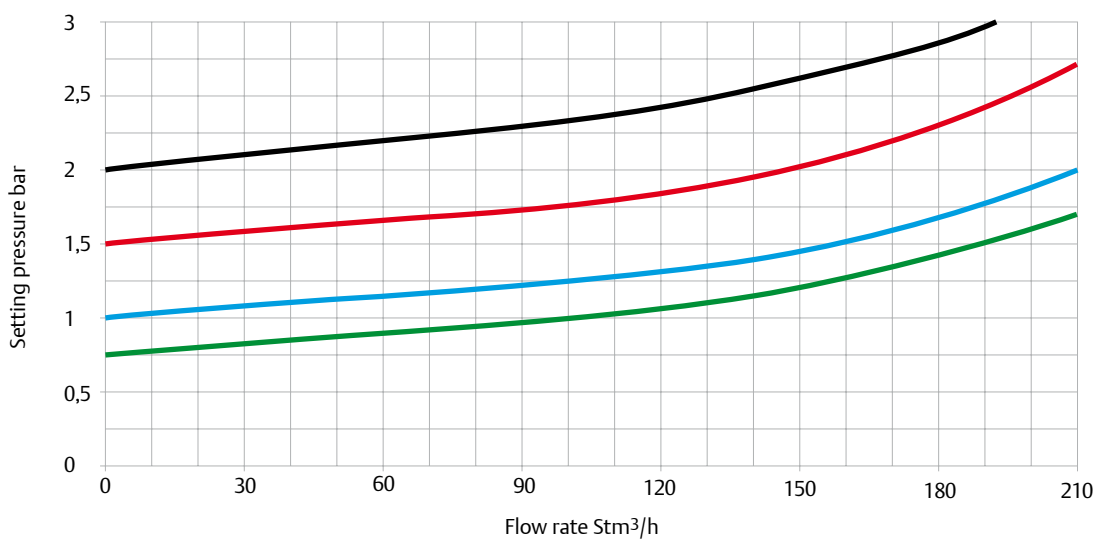
V/60



V/61



V/62



V Series Relief Valves

V/20-2 Model Spring-Loaded Relief Valves

The V/20-2 relief valves are designed for use at medium and high pressures and cover a wide range of setting values (1.5 to 40 bar). To change setting, simply replace the spring with the one appropriate for the desired value.

Operation

Whenever gas pressure under pad (O) is higher than the force exerted by spring (M) in the opposite direction, pad older device (P) is raised, thereby causing the release orifice to open.

Setting is carried out by adjusting the compression of spring (M) through the appropriate ring (G).

It is recommended that relief valve be set at a value at least 15% higher than the operating pressure of the station.

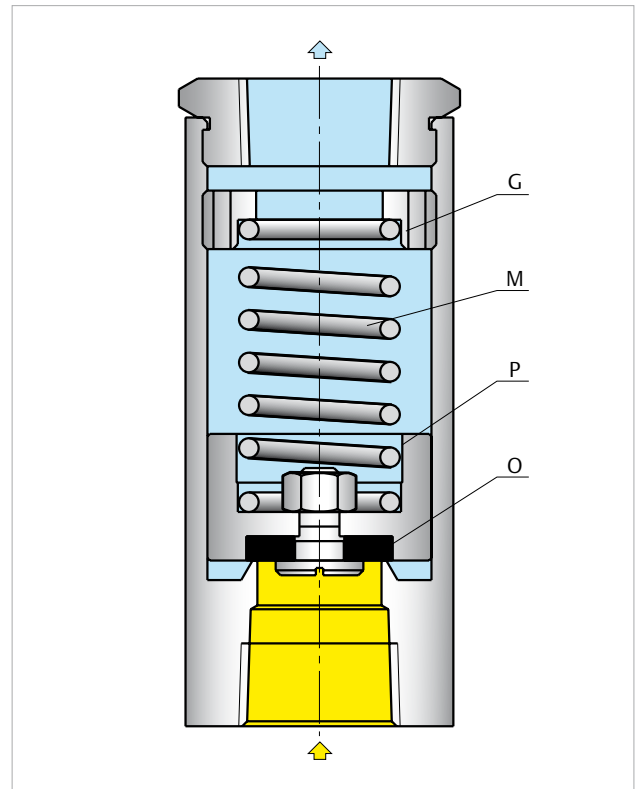
Installation and Assembly

The relief valve is normally installed downstream of the regulator.

Gas is released into the atmosphere at an appropriate height, according to effective standards.

Gas release pipe diameter must not be less that valve outlet pipe diameter.

Relief valve efficiency and performance are in no way affected by direction of installation.



V Series Relief Valves

Features

Applications This product has been designed to be used with fuel gases of 1st and 2nd family according to EN 437, and with other non aggressive and non fuel gases. For any other gases, other than natural gas, please contact your local sales agent.

Technical Features Allowable pressure PS : 100 bar
Set range W_h : 1.5 ÷ 40 bar

Seat diameter
25,4 mm (1")

Threaded connections
Inlet - outlet 1" NPT

Temperature
Standard version
Working -10 °C +60 °C
Low temperature version
Working -20 °C +60 °C

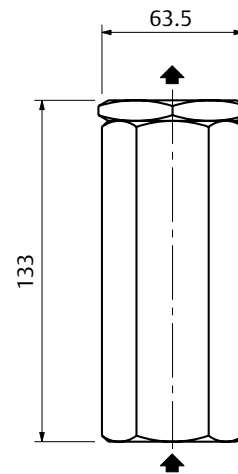
Materials

Body	Brass
Pad retainer	Brass
Pad holder	Brass
Adjusting ring	Brass
Pad	NBR nitrile rubber

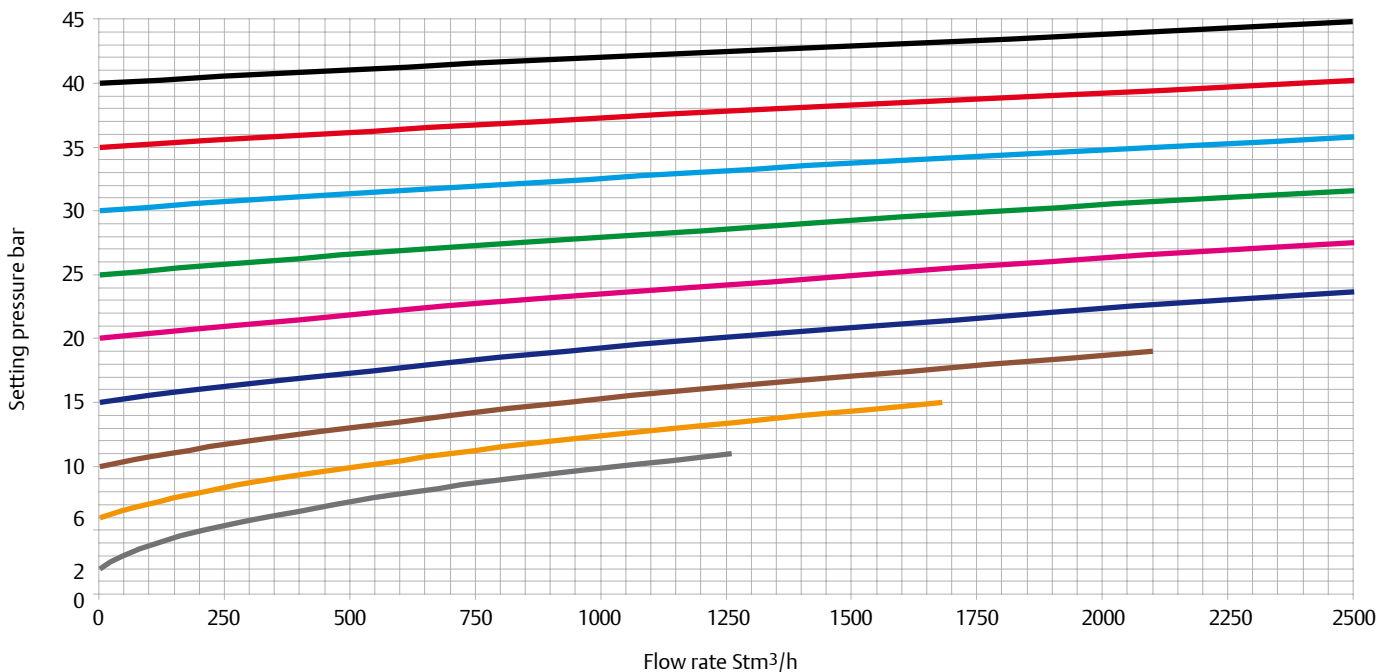


V/20-2

Dimensions (mm) - Weight 1,6 kg



Flow Rate Curves



Industrial Regulators

Emerson Process Management Regulator Technologies, Inc.

USA - Headquarters

McKinney, Texas 75070 USA
Tel: +1 800 558 5853
Outside US: +1 972 548 3574

Europe

Bologna 40013, Italy
Tel: +39 051 419 0611

Asia-Pacific

Shanghai 201206, China
Tel: +86 21 2892 9000

Middle East and Africa

Dubai, United Arab Emirates
Tel: +971 4811 8100

Natural Gas Technologies

Emerson Process Management Regulator Technologies, Inc.

USA - Headquarters

McKinney, Texas 75070 USA
Tel: +1 800 558 5853
Outside US: +1 972 548 3574

Europe

Bologna 40013, Italy
Tel: +39 051 419 0611
Chartres 28008, France
Tel: +33 2 37 33 47 00

Asia-Pacific

Singapore 128461, Singapore
Tel: +65 6770 8337

Middle East and Africa

Dubai, United Arab Emirates
Tel: +971 4811 8100

LP-Gas Equipment

Emerson Process Management Regulator Technologies, Inc.

USA - Headquarters

McKinney, Texas 75070 USA
Tel: +1 800 558 5853
Outside US: +1 972 548 3574

TESCOM

Emerson Process Management Tescom Corporation

USA - Headquarters

Elk River, Minnesota 55330-2445 USA
Tel: +1 763 241 3238
+1 800 447 1250

Europe

Selmsdorf 23923, Germany
Tel: +49 38823 31 287

Asia-Pacific

Shanghai 201206, China
Tel: +86 21 2892 9499

For further information visit www.emersonprocess.com/regulators

Our Global Product Brands:



The Emerson logo is a trademark and service mark of Emerson Electric Co. All other marks are the property of their prospective owners. Fisher, Tartarini, Francel, Emerson Process Management and the Emerson Process Management design are marks of the Emerson Process Management group of companies.

The contents of this publication are presented for informational purposes only, and while every effort has been made to ensure their accuracy, they are not to be construed as warranties or guarantees, express or implied, regarding the products or services described herein or their use or applicability. We reserve the right to modify or improve the designs or specifications of such products at any time without notice.

Emerson Process Management does not assume responsibility for the selection, use or maintenance of any product. Responsibility for proper selection, use and maintenance of any Emerson Process Management product remains solely with the purchaser.

O.M.T. **Officina Meccanica Tartarini S.R.L.**, Via P. Fabbri 1, I-40013 Castel Maggiore (Bologna), Italy
R.E.A 184221 BO Cod. Fisc. 00623720372 Part. IVA 00519501209 N° IVA CEE IT 00519501209, Cap. Soc. 1.548 000 Euro i.v. R.I. 00623720372 - M BO 020330

Francel SAS, 3 Avenue Victor Hugo, CS 80125, Chartres 28008, France
SIRET 552 068 637 00057 APE 2651B, N° TVA : FR84552068637, RCS Chartres B 552 068 637, SAS capital 534 400 Euro