

# VK Series

## On/Off and Shut-off Valve

DVKXX2048X012

### Specifications

For other materials or modifications, please consult TESCOM.

#### OPERATING PARAMETERS

Pressure rating per criteria of ANSI/ASME B31.3

**Maximum Operating Pressure**

**Stainless Steel:** 10,000 psig / 689 bar

**Brass:** 6000 psig / 414 bar

**Design Proof Pressure**

150% of rated pressure

**Operating Temperature**

See table

**Leakage**

Bubble-tight

**Flow Capacity (approximate)**

$C_v = 0.28$

**Maximum Operating Torque**

15 in-lbs / 1.7 N•m

#### MEDIA CONTACT MATERIALS

**Body**

Brass, 316 Stainless Steel

**Seat**

CTFE, Teflon®, Vespel® or Peek

**Back-up Ring**

CTFE

**O-Ring**

Buna, Viton®, Ethylene Propylene, Kalrez®

**Remaining Parts**

300 Series Stainless Steel, 17-4

#### OTHER

**Cleaning**

CGA 4.1 and ASTM G93

**Weight (approximate)**

5 lbs / 2.3 kg

Teflon®, Viton®, Vespel® and Kalrez® are registered trademarks of E.I. du Pont de Nemours and Company.



TESCOM VK Series block and bleed manifold offers control pressures of 6000 and 10,000 psig / 414 and 690 bar. This valve is based on TESCOM's field proven VJ Series.

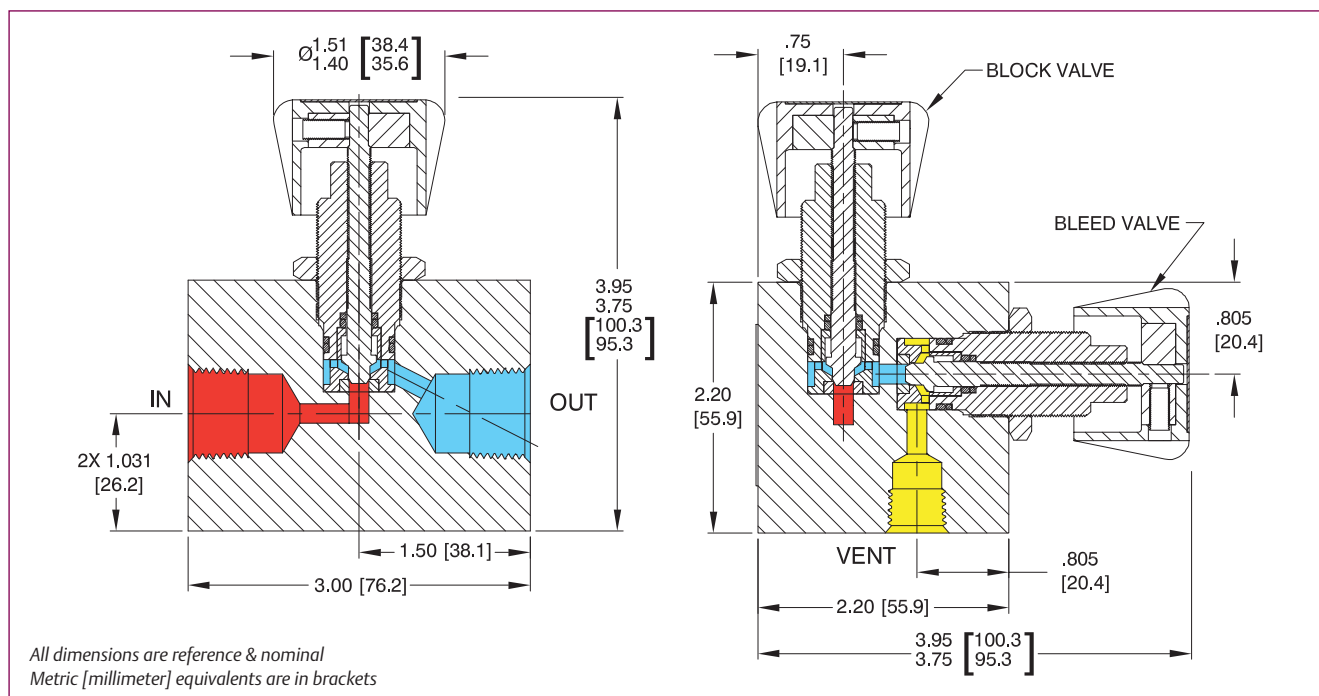
### Applications

- Purge applications

### Features and Benefits

- High pressure
- Material options
- Built-in metallic stop
- Allows construction or repair along a pressurized line
- Allows residual downstream pressure to bleed to zero
- Low operating torque
- High cycle life

## VK Series Valve Drawing



## VK Series Valve Part Number Selector

Repair Kits, Accessories & Modifications may be available for this product. Please contact TESCOM for more information.

Example for selecting a part number:

VK	6	3	02	2	04	4
BASIC SERIES	BODY MATERIAL	SEAT MATERIAL	O-RING MATERIAL	PORT TYPE	INLET & OUTLET PORT SIZE	VENT PORT SIZE
VK	1 - Brass 6 - 316 Stainless Steel	0 - CTFE 3 - Teflon® 7 - Vespel® P - Peek	00 - Buna 02 - Viton® 05 - Ethylene Propylene 11 - Kalrez®	2 - NPTF 3 - MS33649	04 - 1/4" 08 - 1/2"	4 - 1/4"

## Operating Temperature

SEAT MATERIAL	O-RING	MAXIMUM OPERATING PRESSURE	OPERATING TEMPERATURE
Teflon® Teflon® Teflon® Teflon®	Buna-N Kalrez® Viton® Ethylene Propylene	<b>Brass:</b> 3500 psig / 241 bar <b>Stainless Steel:</b> 3500 psig / 241 bar	-40°F to 165°F / -40°C to 74°C 20°F to 250°F / -7°C to 121°C -15°F to 250°F / -26°C to 121°C -40°F to 250°F / -40°C to 121°C
Peek Peek Peek Peek	Buna-N Kalrez® Viton® Ethylene Propylene	<b>Brass:</b> 6000 psig / 414 bar <b>Stainless Steel:</b> 10,000 psig / 690 bar	-40°F to 165°F / -40°C to 74°C 20°F to 250°F / -7°C to 121°C -15°F to 250°F / -26°C to 121°C -15°F to 250°F / -26°C to 121°C
CTFE CTFE CTFE CTFE	Buna-N Kalrez® Viton® Ethylene Propylene	<b>Brass:</b> 6000 psig / 414 bar <b>Stainless Steel:</b> 6000 psig / 414 bar	-40°F to 165°F / -40°C to 74°C 20°F to 165°F / -7°C to 74°C -15°F to 165°F / -26°C to 74°C -40°F to 165°F / -40°C to 74°C
Vespel® Vespel® Vespel® Vespel®	Buna-N Kalrez® Viton® Ethylene Propylene	<b>Brass:</b> 6000 psig / 414 bar <b>Stainless Steel:</b> 10,000 psig / 690 bar	-40°F to 165°F / -40°C to 74°C 20°F to 250°F / -7°C to 121°C -15°F to 250°F / -26°C to 121°C -40°F to 250°F / -40°C to 121°C



**WARNING!** Do not attempt to select, install, use or maintain this product until you have read and fully understood the *TESCOM Safety, Installation and Operation Precautions*.