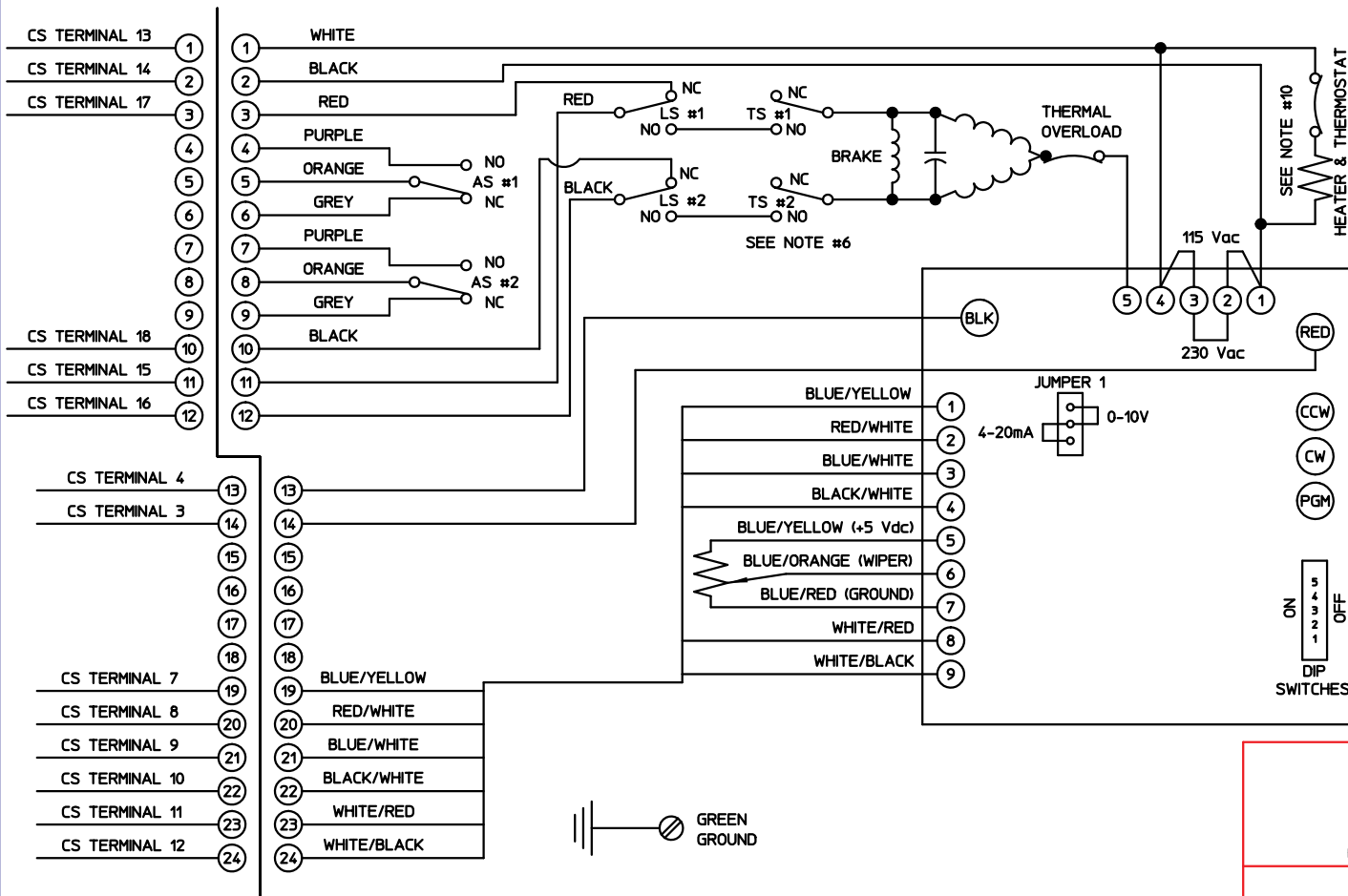


**FIELD WIRING  
(REFERENCE ONLY)**

**ACTUATOR WIRING**



- NOTES:**
1. FIELD WIRING IS SHOWN FOR REFERENCE ONLY AND IS NOT SUPPLIED WITH THE ACTUATOR.
  2. ALWAYS VERIFY SPECIFIC ACTUATOR WIRING TO SPECIFICATION BEFORE INSTALLING.
  3. ROTATION IS VIEWED FROM ABOVE THE ACTUATOR.
  4. LS DEFINES LIMIT SWITCH OR END OF TRAVEL SWITCH.
  5. AS DEFINES AUXILIARY SWITCH AS #1 THROUGH #4 ARE OPTIONAL AND ARE SUPPLIED ONLY IF ORDERED WITH THE ACTUATOR OR AS A KIT.
  6. TS #1 AND TS #2 ARE TORQUE SWITCHES AND ARE PROVIDED ONLY ON THE 800 SERIES ACTUATORS
  7. THERMAL OVERLOAD SHOWN RESETS AUTOMATICALLY AND IS STANDARD ON ALL UNITS.
  8. CONTROL VOLTAGE OF 4-20 mA OR 0-10 V, NOT BOTH.
  9. SWITCHES ARE CONFIGURED FROM BOTTOM TO TOP (i.e. SWITCH 1 IS ON THE BOTTOM, SWITCH 2 IS THE NEXT ONE UP, etc.) LIMIT SWITCHES ARE MOUNTED BELOW THE AUXILIARY SWITCHES.
  10. ELECTRIC BRAKE, HEATER, AND THERMOSTAT ARE OPTIONAL ON SOME EQUIPMENT. CONSULT FACTORY LITERATURE FOR AVAILABLE OPTIONS.
  11. FOR 115 Vac SIGNALS, TERMINAL BLOCK TB1 MUST HAVE TWO JUMPERS BETWEEN 1 AND 2 AND BETWEEN 3 AND 4. FOR 230 Vac SIGNALS, TB1 MUST HAVE 1 JUMPER BETWEEN 2 AND 3.
  12. REFERENCE BETTIS BULLETIN 01597 FOR PROGRAMMING DIRECTIONS.
  13. DUE TO SPACE CONSTRAINTS, ALL COMMAND SIGNALS WILL BE DIRECTLY FIELD WIRED TO THE BOARD FOR THE 100 SERIES.
  14. SECOND POTENTIOMETER IS OPTIONAL. CONSULT FACTORY LITERATURE FOR AVAILABLE OPTIONS.



Electric Division, Mansfield, Ohio

**MODULATING  
ACv/1Ph WITH C1397  
ELECTRONIC PROPORTIONAL POSITIONER**

USED IN CONJUNCTION WITH WD-0113

REVISIONS  
R-1) CHANGED  
CS TERM  
NUMBERS  
02/11/03 \_JF

THIS DOCUMENT IS THE PROPERTY  
OF BETTIS AND MAY NOT  
BE USED, REPRODUCED,  
PUBLISHED, OR DISCLOSED TO  
OTHERS WITHOUT EXPRESS  
AUTHORIZATION OF BETTIS

SCALE NONE	JOB NO	FILE	DRAWING NO.
DATE 11/22/00			2 WD-0035
DR. BY JMK			
APPD BY JJF	ASSY	REV. 1	2 3 4 5 6 7 8 9 10
APPD BY			