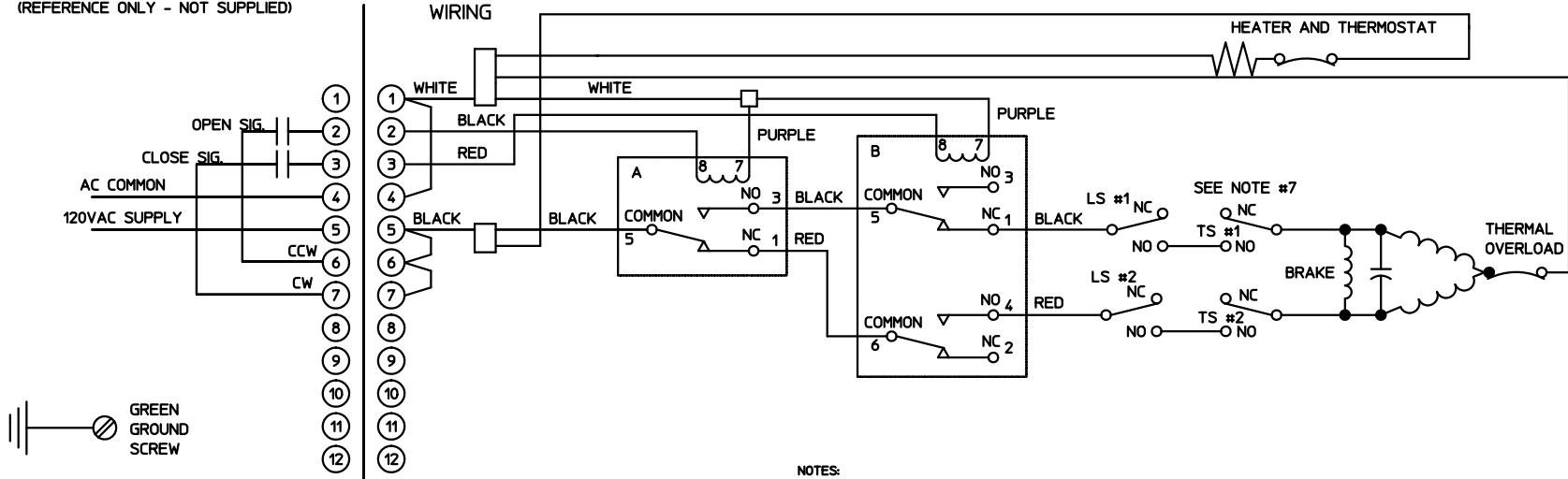
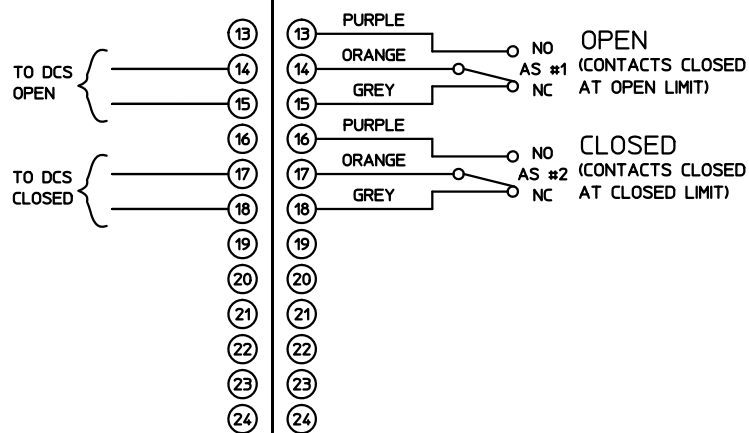


OPTIONAL FIELD WIRING
(REFERENCE ONLY - NOT SUPPLIED)



GREEN GROUND SCREW



NOTES:

1. FIELD WIRING IS SHOWN FOR REFERENCE ONLY AND IS NOT SUPPLIED WITH THE ACTUATOR.
2. ALWAYS VERIFY SPECIFIC ACTUATOR WIRING TO SPECIFICATION BEFORE INSTALLING.
3. ROTATION IS VIEWED FROM ABOVE THE ACTUATOR.
4. THERMAL OVERLOAD SHOWN RESETS AUTOMATICALLY AND IS STANDARD ON ALL UNITS.
5. SWITCHES ARE CONFIGURED FROM BOTTOM TO TOP (i.e. SWITCH 1 IS ON THE BOTTOM, SWITCH 2 IS THE NEXT ONE UP, etc.). LIMIT SWITCHES ARE ALWAYS MOUNTED BELOW AUXILIARY SWITCHES.
6. AS DEFINES AUXILIARY SWITCH. AS#1 THROUGH #6 ARE OPTIONAL AND ARE SUPPLIED ONLY IF ORDERED WITH THE ACTUATOR OR AS A KIT.
7. TS #1 AND TS #2 ARE TORQUE SWITCHES AND ARE PROVIDED ONLY ON THE 800 SERIES ACTUATORS.
8. TERMINALS 13-24 WILL BE SUPPLIED ONLY WHEN REQUIRED.
9. CAUTION: APPLYING 120V POWER TO TERMINALS 2 & 3 SIMULTANEOUSLY MAY DAMAGE THE MOTOR WINDINGS.
10. LS DEFINES LIMIT SWITCH OR END OF TRAVEL SWITCH.
11. CAMS FOR AS#1 AND AS#2 SET THE SAME AS LS#1 AND LS#2 RESPECTIVELY.

BETTS
Actuators & Controls

Electric Division, Mansfield, Ohio

REVERSIBLE, 2 POS, 120VAC 1PH, CW/CCW
RELAY, 2AUX SW, EXTRA POWER TERMS

REVISIONS
REV. 1
TEXT CHANGES
PER CUSTOMER
10/16/02 JJF

THIS DOCUMENT IS THE PROPERTY
OF BETTIS AND MAY NOT
BE USED, REPRODUCED,
PUBLISHED, OR DISCLOSED TO
OTHERS WITHOUT EXPRESS
AUTHORIZATION OF BETTIS

SCALE NONE	JOB NO	FILE	DRAWING NO.
DATE 07/18/02			
DR. BY JJF		2	WD-0047
APPD BY JJF	ASSY	REV. 1	2 3 4 5 6
APPD BY		NO. 7 8 9 10	