



## Specifications

Single stage cylinder pressure regulator with flow switch for the pressure reduction of pressurized medical gases  
CE-mark according to Medical Device Directive 93/42/EEC. Addition IX Class IIb.

Fluid Media

med. O<sub>2</sub>, Air, N<sub>2</sub>O and CO<sub>2</sub>

Operating Parameters

Allowed inlet pressure:

Air, O<sub>2</sub> ..... 11 to 200 bar/kPA x 100  
..... 160 to 2900 PSIG  
N<sub>2</sub>O, CO<sub>2</sub> ..... 11 to 60 bar/kPA x 100  
..... 160 to 870 PSIG

Adjustable flow rate range (l/min)

15 I-Version: ..... 0/1/2/3/4/6/8/12/15  
4 I-Version: ..... 0/0,2/0,3/0,4/0,6/0,8/1/2/4

Flow accuracy (gas temperature 23 ± 2 °C)

≥ 2 l/min: ..... ± 20%  
< 2 l/min: ..... ± 30%

Temperature range

Operation: ..... 0 to 55 °C  
Storage: ..... -20 to 70 °C

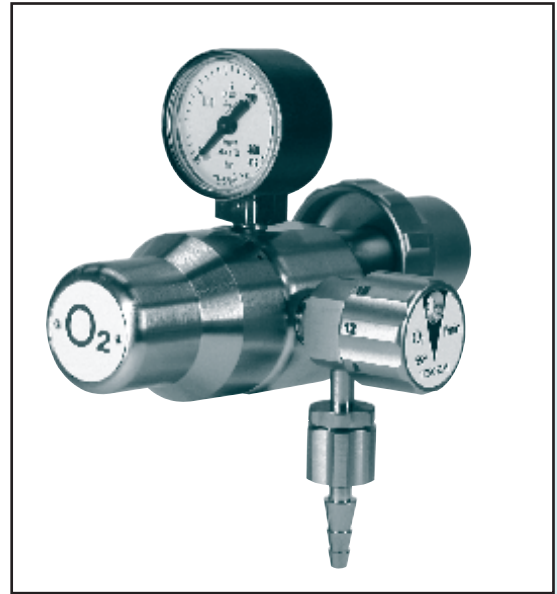
Operation environment

Air humidity: ..... 5% - 95% r.F.

Weight ..... 1,5 kg

... (depending on connection and number of flow switch)

Connection ..... see order no. backpage

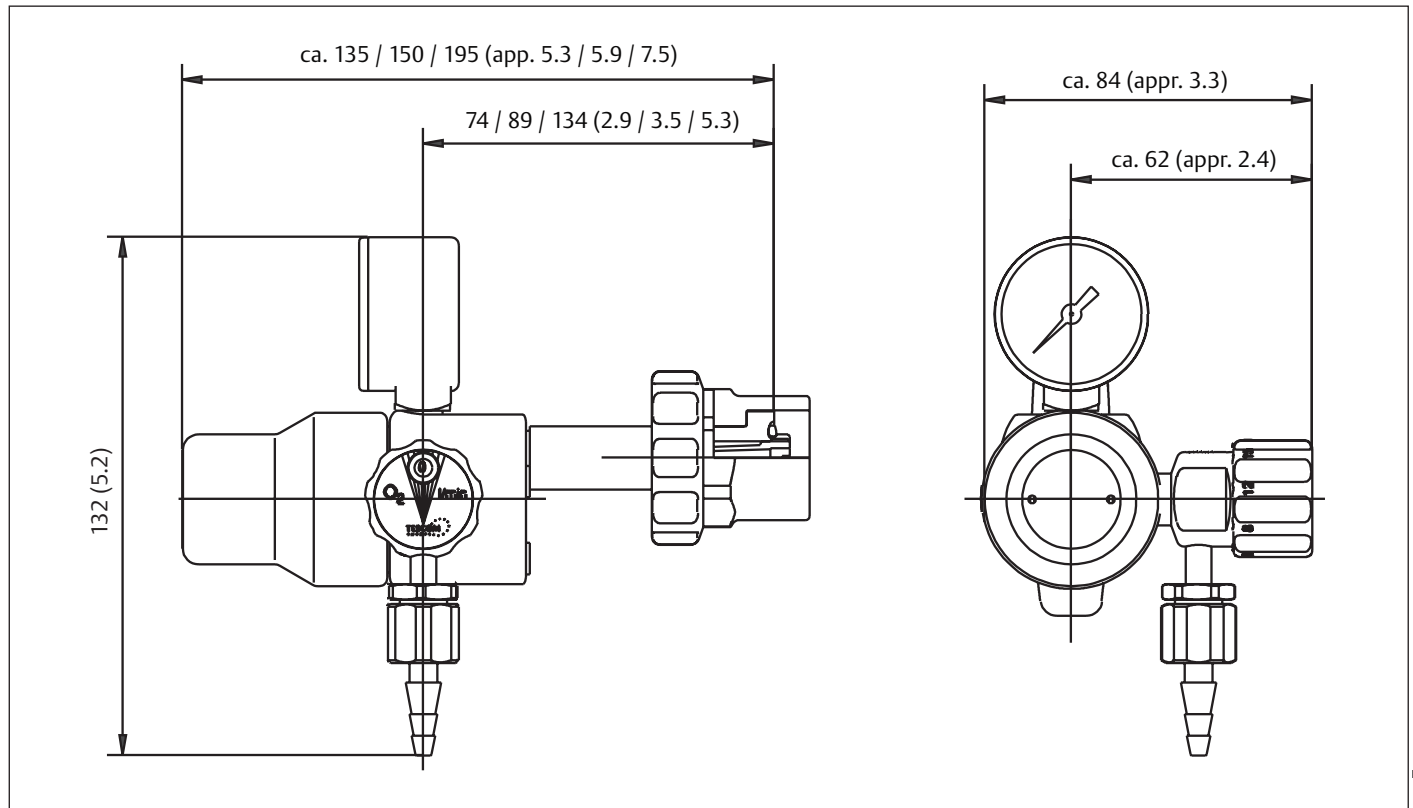


- Compact design
- Robust and reliable design
- Modular assembly

Europe only

# WegaMed Flow Switch

All dimensions in mm (inch) are approximate data depending on the design



## Ordering Information

Example Part Number:

**D50528- 12**


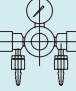
**D**

**B**

**K**

**A8**

**BR**

BASIC SERIES	GAS	INLET CONNECTION	LENGTH INLET CONNECTION	CAPACITY *	OUTLET CONNECTION	ADJUSTABLE FLOW RATE RANGE
<b>D50528</b>	<b>03</b> = CO <sub>2</sub>	<b>D</b> = Screw connection DIN 477	<b>A</b> = 70 mm * (2.75")	<b>K</b> = up to 3 l	<b>A8</b> = Three-step nozzle ø4, ø6, ø8	<b>B</b> = Flow switch 0 - 4 l/min
	<b>08</b> = Air	<b>E</b> = Pin-Index EN 850 CGA V-1 ISO407	<b>B</b> = 100 mm (3.93")	<b>G</b> = > 3 l		<b>61</b> = 9/16-18 UNF external
	<b>12</b> = O <sub>2</sub>	<b>A</b> = Screw connection DIN 477 outside Ger- many	<b>C</b> = 115 mm (4.53")	* only for N <sub>2</sub> O with connection acc. to DIN 477		<b>FLOW SWITCH ORIENTATION</b>
	<b>13</b> = N <sub>2</sub> O	<b>F</b> = Screw connection NF E 29-650	<b>D</b> = 160 mm (6.3")		* only for Pin-Index	
		<b>C</b> = Screw connection CGA V-1 1987				<b>L</b> = Flow switch left 
		<b>B</b> = Screw connection BS 341:Part 1				<b>B</b> = Flow switch left & right 
		<b>N</b> = Screw connection NBN 226-1950				
		<b>H</b> = Screw connection NEN 3268				

Europe only