

8

7

6

5

4

3

2

1

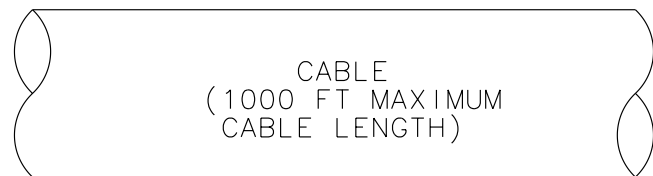
GENERAL NOTES (UNLESS OTHERWISE SPECIFIED)

Sensor Terminals:

Sensor Models:

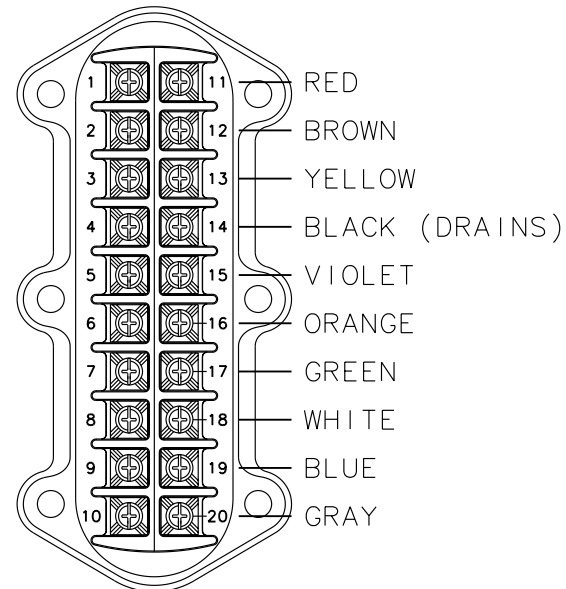
DH025	DL025	DS150
DH038	DL050	DS300
DH100	DL065	
DH150	DL100	
DH300	DL200	

- | | |
|---|--------|
| 1 | BROWN |
| 2 | RED |
| 3 | ORANGE |
| 4 | YELLOW |
| 5 | GREEN |
| 6 | BLUE |
| 7 | VIOLET |
| 8 | GRAY |
| 9 | WHITE |



NOTE: PREPARE CABLE PER THE INSTRUCTIONS PROVIDED WITH THE CABLE.

3700 IS TERMINAL (BLUE)



D

D

C

C

B

B

A

A

8

7

6


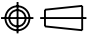
5

4

3

2

1

		 MICRO MOTION, INC. BOULDER, COLORADO	
		WIRING, 3700 TO DH/DL/DS	
 THIRD ANGLE PROJECTION			
NAME	DATE	SIZE	DWG. NO.
DRAWN DJS	11/13/97	D	EW-3300527
CHKD. RBG	12/30/97		C
APVD. RBG	12/30/97	SCALE NONE	DO NOT SCALE DRAWING SHEET 1 OF 1

COPYRIGHT 2005 MICRO MOTION, INC. ALL RIGHTS RESERVED