

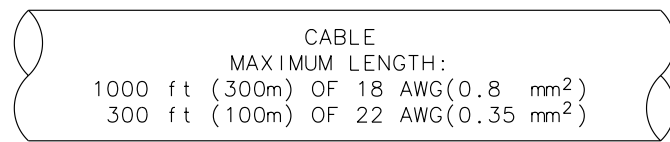
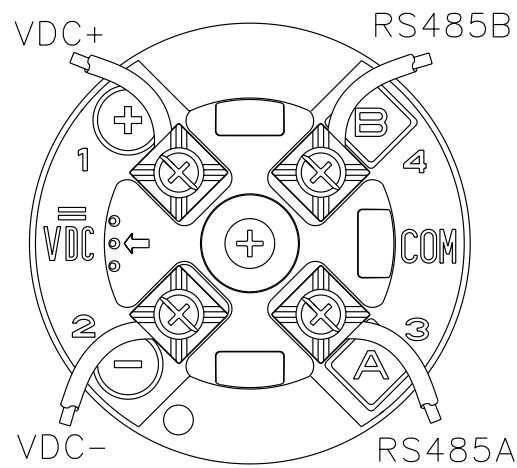
REVISIONS						
REV	ECN	DESCRIPTION OF CHANGE	DRAWN	CHKD	APVD	DATE
E	1035227	CLARIFIED DRAWING	JLT	RLR	RLR	01/09/08
F	1035227	DWG UPDATED TO INCLUDE CMF 300A	JLT	MKT	MKT	10/27/08

GENERAL NOTES (UNLESS OTHERWISE SPECIFIED)

## Sensor Terminals:

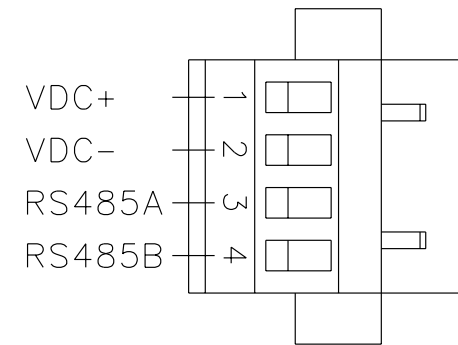
Sensor Types:

- CMF010
- CMF025
- CMF050
- CMF100
- CMF200
- CMF300
- CMF400
- CNG050
- T025    F025    R025    H025
- T050    F050    R050    H050
- T075    F100    R100    H100
- T100    F200    R200    H200
- T150    F300            H300



## Transmitters:

1700R  
2700R



ITEM	DESCRIPTION	PART OR REF. NO.	MATL. OR MFR.	QTY.
			MICRO MOTION, INC. BOULDER, COLORADO	
	THIRD ANGLE PROJECTION	WIRING, CMF/CNG/T/F/R/H CORE TO 1700R/2700R		
DRAWN	SAD 4/11/01	SIZE	DWG. NO.	REV.
CHKD.	JLA 4/13/01	D	EW-3600617	F
APVD.	JLA 4/13/01	SCALE NONE	DO NOT SCALE DRAWING	SHEET 1 OF 1

COPYRIGHT 2005 MICRO MOTION, INC.  
ALL RIGHTS RESERVED