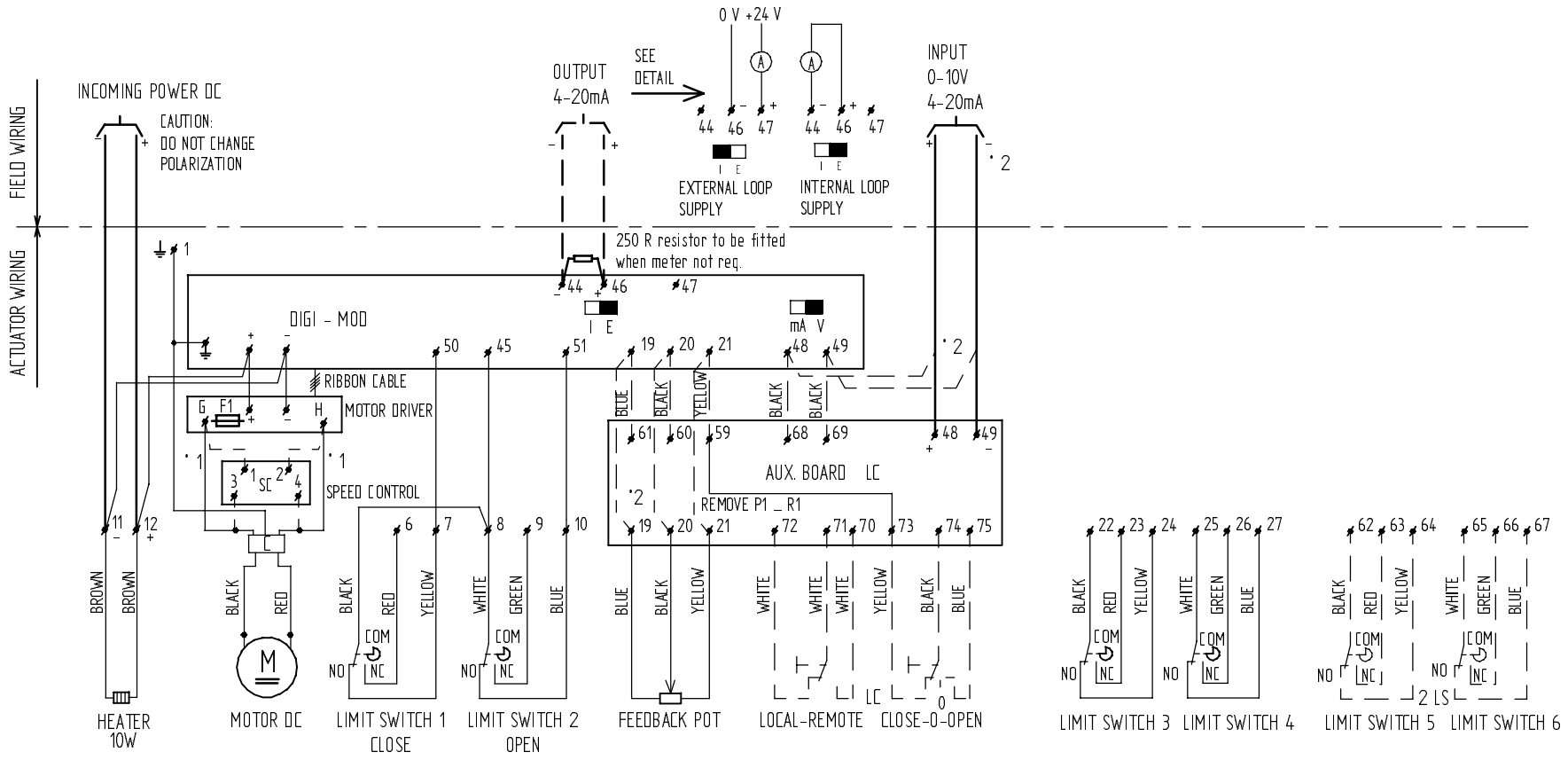


TOLERANCE LIMITS X = ± 0.5
 XX = ± 0.25
 XXX = ± 0.1
 DIMENSIONS ARE IN MILLIMETERS
 UNLESS OTHERWISE SPECIFIED
 - REPEATED DIMS AND SPACED CONNECTS



LOCAL CONTROL EX
 IN EXPLOSION PROOF EXECUTION
 BOTH LOCAL/ REMOTE AND CLOSE/
 STOP/ OPEN SWITCHES ARE COMBINED
 INTO ONE SWITCH

- * 1 NO WIRE BY SPEED CONTROL SC
- * 2 WITHOUT LOCAL CONTROL LC
 POTMETER TO TERMINAL 19, 20, 21 DIGI-MOD
 INPUT 4-20 mA TO TERMINAL 48, 49, DIGI-MOD

LIMIT SWITCHES SHOWN IN MID STROKE
 KIT OPTIONS, LC - 2LS - SC, ONLY ON ORDER
 KIT OPTIONS SHOWN IN DOTTED LINES

IMPORTANT
 Each actuator must be powered through
 its own individual switch or relay
 contacts to avoid cross feed between
 two or more actuators

ELO-MATIC INTERNATIONAL LOCATION: HENGELD 101, THE NETHERLANDS		Format : A3	Dra. : AB	Scale : -	Date : 05/10/2000
Material : -		Title : Wiring diagram options motor DC + DIGI-MOD, EL55 WP/XP			ENC nr. : H-0747 / 18/01/2001 Date : Par. : RS
Treatment : -		D/writ. : 990.40.026			State : Released Rev. : A