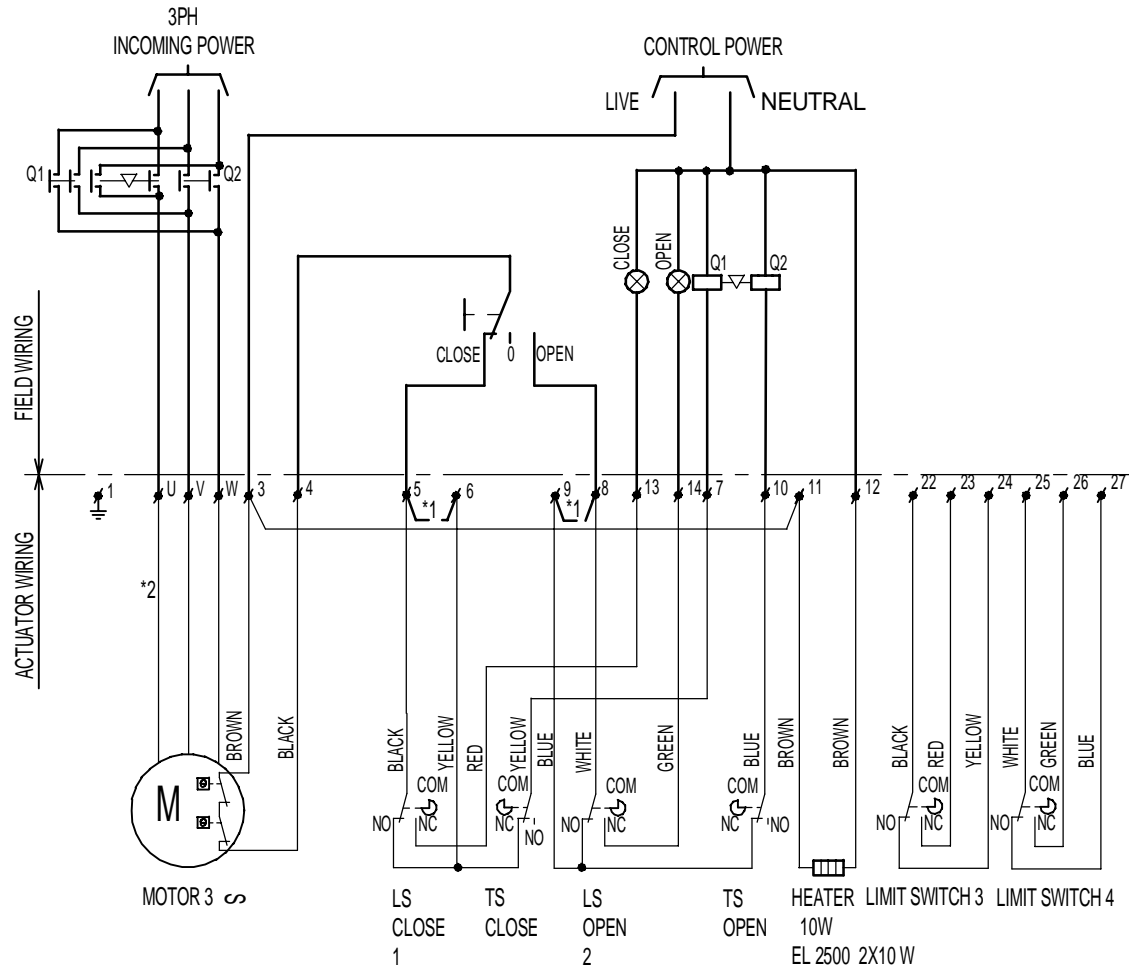


TOLERANCE LIMITS X, X.X, X.XX, X.XXX  
 UNLESS OTHERWISE SPECIFIED -  
 DIMENSIONS ARE IN MILLIMETERS  
 UNLESS OTHERWISE SPECIFIED -  
 REMOVE ALL ZEROS AND  
 SPARE DECIMALS  
 X, X.X, X.XX, X.XXX  
 UNLESS OTHERWISE SPECIFIED -  
 DIMENSIONS ARE IN MILLIMETERS  
 UNLESS OTHERWISE SPECIFIED -  
 REMOVE ALL ZEROS AND  
 SPARE DECIMALS



**IMPORTANT**  
 Each actuator must be powered through its own individual switch or relay contacts to avoid cross feed between two or more actuators.

LIMIT SWITCHES SHOWN IN MID STROKE

\*1 LINK FOR TORQUE SEATED VALVE  
 \*2 MOTOR WIRING  
 EL 100/150 EL 200/2500  
 U = BLEU U = BROWN  
 V = BLACK V = BLACK  
 W = BROWN W = BLEU

<b>EL-O-MATIC</b> INTERNATIONAL LOCATION HENGELD 101 THE NETHERLANDS	Format: <b>A3</b>	Dwg.: <b>AB</b>	Scale: <b>-</b>	Date: <b>05/10/2000</b>
	Title: <b>Wiring diagram basic</b> motor 3PH EL100-EL2500		ENDC no.: <b>H-0786/03/07/2001</b>	Date: <b>03/07/2001</b>
Material: <b>-</b>	State: <b>Released</b>			Par.: <b>RS</b>
Treatment: <b>-</b>	Dwg.no.: <b>990.40.028</b>			page 1 of 2
				Rev.: <b>B</b>

