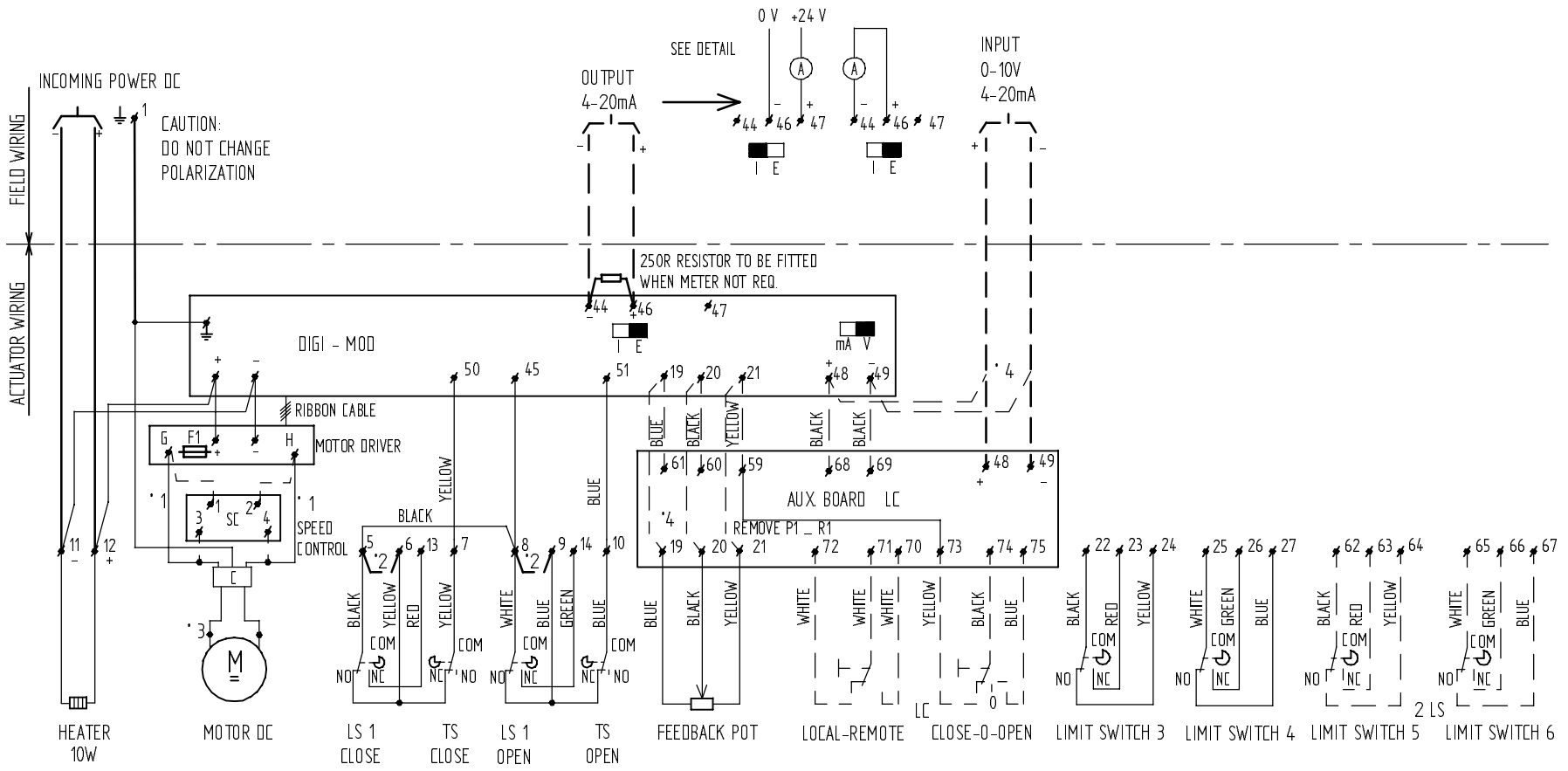


- UNLESS OTHERWISE SPECIFIED:
 DIMENSIONS ARE IN MILLIMETERS.
 - REPEATED DIMS. AND
 SPARE CONNECTIONS
 X = ± 0.5
 XX = ± 0.25
 XXX = ± 0.1
 ANGULAR = ± 1/2
 TOLERANCE LIMITS
 UNLESS OTHERWISE
 SPECIFIED



LOCAL CONTROL EX
 IN EXPLOSION PROOF EXECUTION
 BOTH LOCAL/REMOTE AND
 CLOSE/STOP/OPEN SWITCHES ARE
 COMBINED INTO ONE SWITCH

- * 1 NO WIRE BY SPEED CONTROL SC
- * 2 LINK FOR TORQUE SEATED VALVE
- * 3 MOTOR WIRING
 EL 100/150 EL 200/800
 G = BLACK G = WHITE
 H = WHITE H = BLACK
- * 4 WITHOUT LOCAL CONTROL LC
 INPUT 4-20 mA TO TERMINAL 48, 49, DIGI-MOD
 POTMETER TO TERMINAL 19, 20, 21 DIGI-MOD

LIMIT SWITCHES SHOWN IN MID STROKE
 KIT OPTIONS, LC - 2LS - SC, ONLY ON ORDER
 KIT OPTIONS SHOWN IN DOTTED LINES

IMPORTANT
 Each actuator must be powered through
 its own individual switch or relay contacts
 to avoid cross feed between two or more
 actuators

ELO-MATIC INTERNATIONAL LOCATION HENGELD 101 THE NETHERLANDS		Format : A3	Dra. : AB	Scale : -	Date : 05/10/2000
Material : -		Title : Wiring diagram options motor DC + DIGI-MOD, EL100-EL800 WP/XP			ENOC nr. : H-0747 / 18/01/2001 Date : State : Released Par. : RS
Treatment : -		Drawn : 990.40.032			Rev. : A