

8

7

6

5

4

3

2

1

GENERAL NOTES (UNLESS OTHERWISE SPECIFIED)

REVISIONS						
REV	ECN	DESCRIPTION OF CHANGE	DRAWN	CHKD	APVD	DATE

# Transmitter:

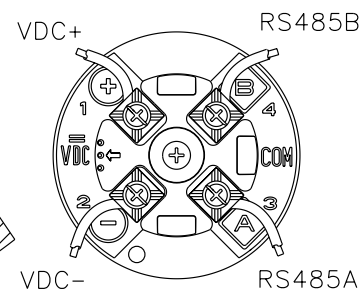
## 3500 IS CONNECTOR

3500

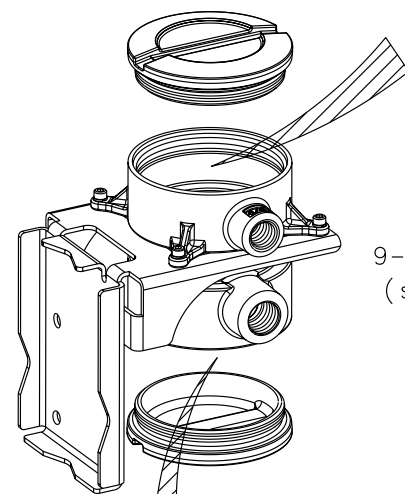
	c	a	
	2	2	
VDC+	4	4	VDC-
RS485A	6	6	RS485B
	8	8	
	10	10	
	12	12	
	14	14	
	16	16	
	18	18	
	20	20	
	22	22	
	24	24	
	26	26	
	28	28	
	30	30	
	32	32	

4-WIRE IS Cable  
1000 ft [300 m]  
(maximum cable length)

CUSTOMER SUPPLIED CABLE  
MAXIMUM LENGTH:  
1000 ft (300m) OF 18 AWG(0.8 mm<sup>2</sup>)  
300 ft (100m) OF 22 AWG(0.35 mm<sup>2</sup>)



9-WIRE Remote Core Processor  
(supplied with transmitter)

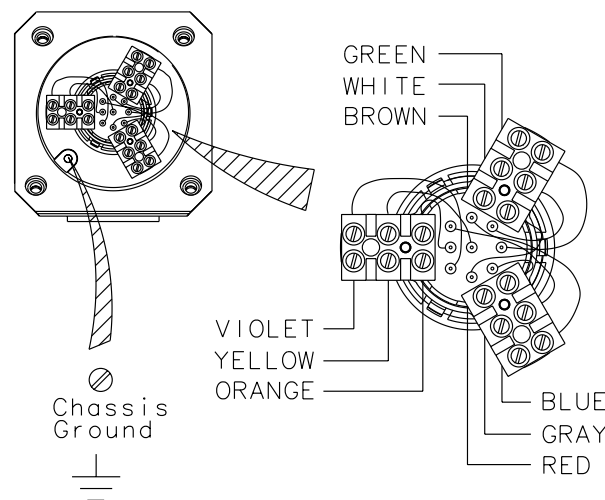


# J-Box Terminals:

Sensor Type:

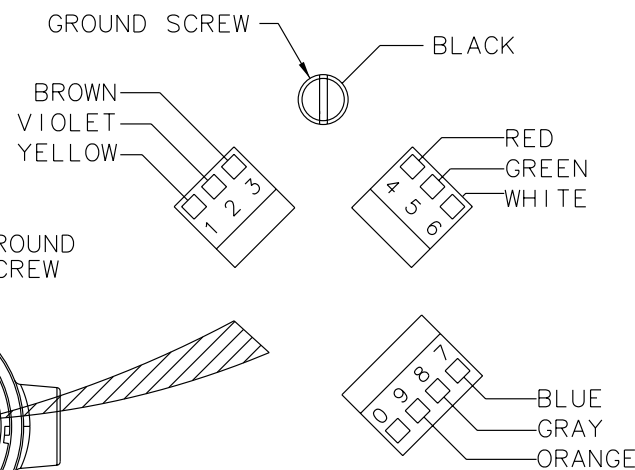
DS600S\*\*\*\*M

# Sensor Junction Box



9-WIRE IS Cable  
60 ft [18 m]  
(maximum cable length)

NOTE:  
Prepare IS Cable per the  
instructions provided with  
the cable.



VALID FOR APPROVAL CODES:  
- Micro Motion Standard General Purpose

ITEM	DESCRIPTION	PART OR REF. NO.	MATL. OR MFR	QTY.
		<b>MICRO MOTION, INC.</b> BOULDER, COLORADO		
		WIRING, DS600 JBOX TO 3500		
NAME	DATE	SIZE	DWG. NO.	REV.
DRAWN LLR	12/18/03	D	EW-20001934	A
CHKD. JLA	1/5/04	SCALE NONE	DO NOT SCALE DRAWING	SHEET 1 OF 1
APVD. JLA	1/5/04			

COPYRIGHT 2004 MICRO MOTION, INC.  
ALL RIGHTS RESERVED

8

7

6

5

4

3

2

1