

REVISIONS						
REV	ECN	DESCRIPTION OF CHANGE	DRAWN	CHKD	APVD	DATE

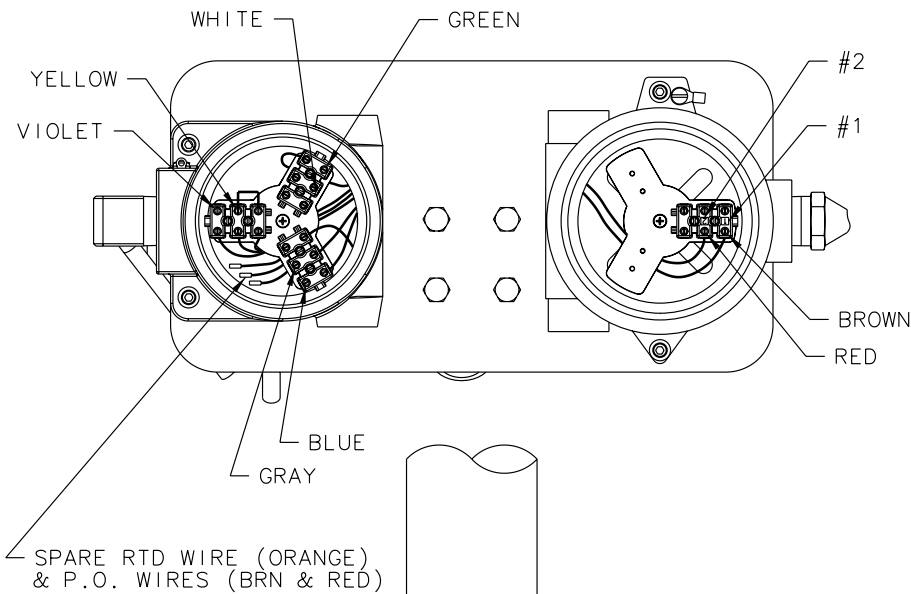
GENERAL NOTES (UNLESS OTHERWISE SPECIFIED)

J-Box Terminals:

Sensor Type:

DS600S****P

Sensor Junction Box



9-WIRE IS Cable
60 ft [18 m]
(maximum cable length)

NOTE:
Prepare IS Cable per the
instructions provided with
the cable.

VALID FOR APPROVAL CODES:
- Micro Motion Standard General Purpose

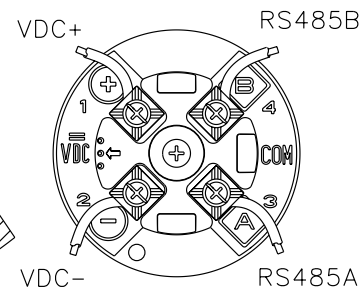
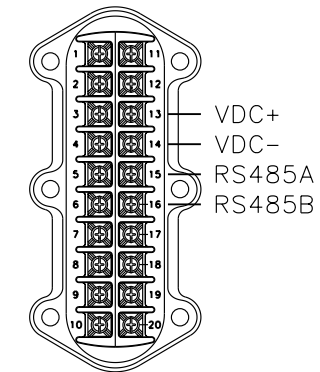
Transmitter:

3700

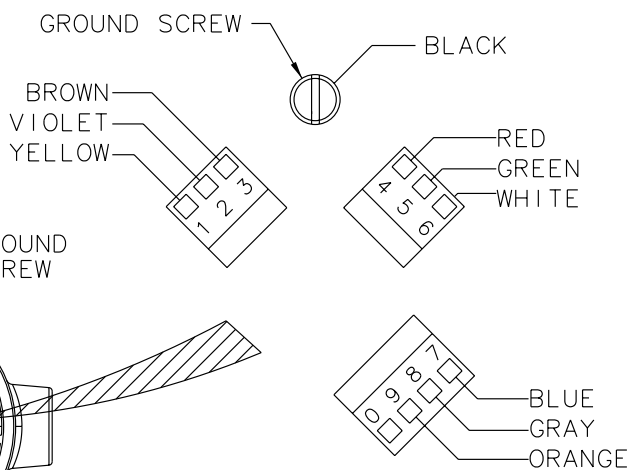
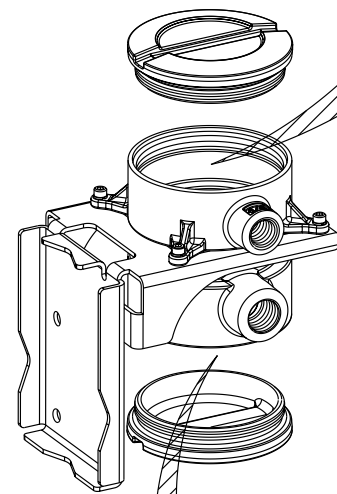
3700
IS TERMINAL
(BLUE)

4-WIRE IS Cable
1000 ft [300 m]
(maximum cable length)

CUSTOMER SUPPLIED CABLE
MAXIMUM LENGTH:
1000 ft (300m) OF 18 AWG(0.8 mm²)
300 ft (100m) OF 22 AWG(0.35 mm²)



9-WIRE Remote Core Processor
(supplied with transmitter)



ITEM	DESCRIPTION	PART OR REF. NO.	MATL. OR MFR.	QTY.
			MICRO MOTION, INC. BOULDER, COLORADO	
	THIRD ANGLE PROJECTION		WIRING, DS600 RMT JBOX TO 3700	
DRAWN	NAME	DATE	SIZE	DWG. NO.
CHKD.	JLA	1/5/04	D	EW-20001943
APVD.	JLA	1/5/04	SCALE NONE	DO NOT SCALE DRAWING SHEET 1 OF 1

COPYRIGHT 2004 MICRO MOTION, INC.
ALL RIGHTS RESERVED