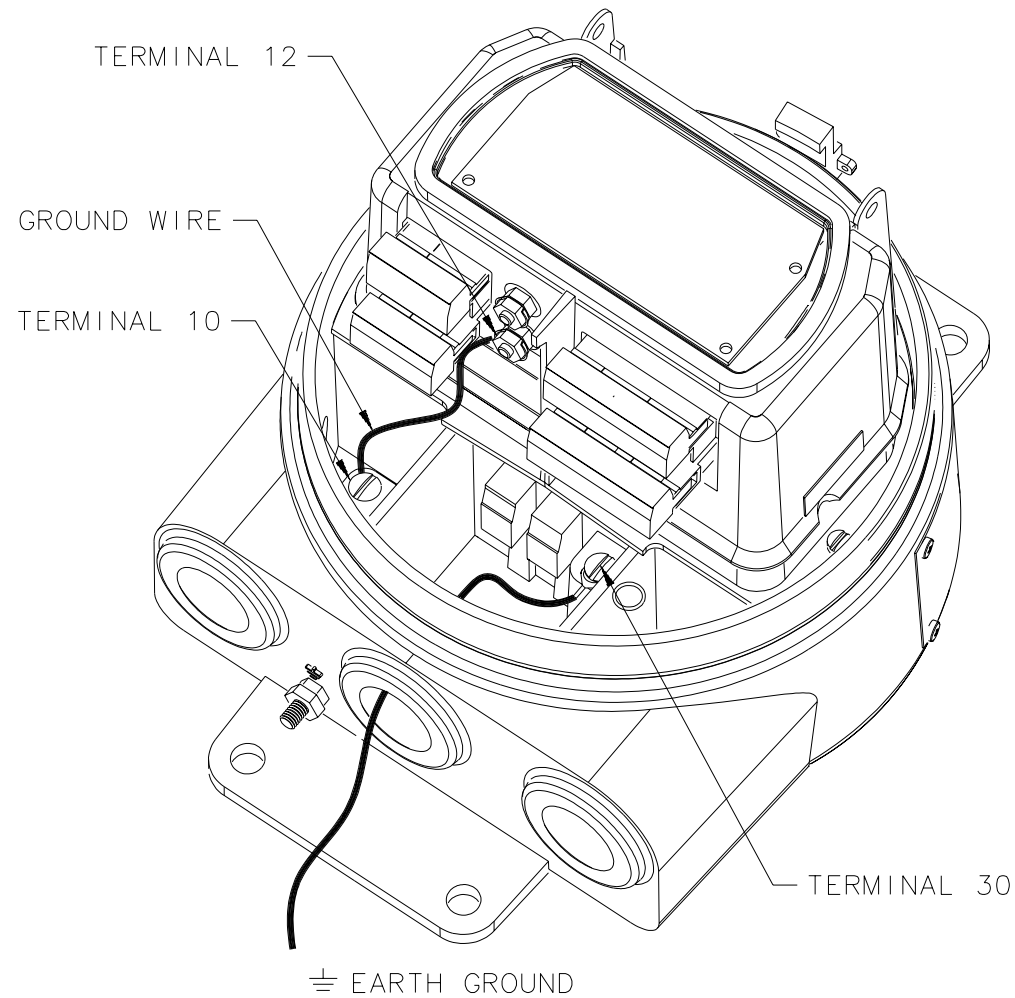



GENERAL NOTES: UNLESS OTHERWISE SPECIFIED

1. IF NATIONAL STANDARDS ARE NOT IN EFFECT, ADHERE TO THIS STANDARD:
  - USE COPPER WIRE, 14 AWG (2.5 mm<sup>2</sup>) OR LARGER WIRE SIZE, FOR GROUNDING.
  - KEEP ALL GROUND LEADS AS SHORT AS POSSIBLE, <1 OHM IMPEDANCE.
  - CONNECT POWER-SUPPLY GROUND, TERMINAL 30, DIRECTLY TO EARTH.
  - CONNECT INTRINSICALLY SAFE GROUND, TERMINAL 12, DIRECTLY TO EQUIPMENT GROUND, TERMINAL 10.
2. FOLLOW PLANT STANDARDS, IN LIEU OF THIS STANDARD, IF A SEPERATE HIGH INTEGRITY INTRINSICALLY SAFE GROUND SCHEME IS USED.



		 <b>MICRO MOTION, INC.</b> BOULDER COLORADO			
				WIRE, RFT9739 G CSA/SAA/GP/CEN	
	NAME	DATE	SCALE	DWG. NO.	REV.
DRAWN	KLM	1/9/95	1:1	EW-3002008	C
CHKD	JAJ	4/12/95			
APVD	JAJ	4/12/95			
			DO NOT SCALE DWG	SIZE C	SHEET 1 OF 1

COPYRIGHT 1996 MICRO MOTION, INC.  
ALL RIGHTS RESERVED