

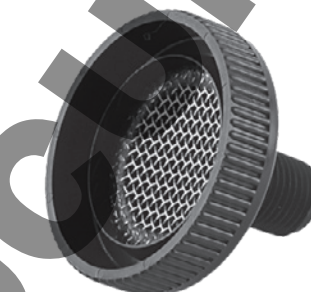
Vent Assemblies for Service Regulators and Miscellaneous Applications

Introduction

Y602 Series vent assemblies help to prevent the obstruction of vent openings, allowing proper air or gas flow for regulator spring cases, remote vent lines, actuator diaphragm casings, and miscellaneous applications. These vent assemblies are available in either angle or umbrella styles (Figures 2 and 3, respectively). Typically, angle vent assemblies protect vent openings that face sideways, and umbrella type vent assemblies protect vent openings that face either up or down. Both styles provide protection to vent openings when carefully selected, installed, and oriented so that the opening in the vent assembly faces downward.

Features

- **Weather-Resistant**—Double-lip moisture deflector of Y602 Series vents resists water bridging across vent opening. Vents resist plugging due to inclement weather such as rain, sleet, and snow.
- **Bug-Resistant**—All Y602 Series vents have screened vent openings to resist insect entry and resultant clogging. Screened opening is larger than that of other available vents.
- **Stabilizer Helps Prevent Cycling**—Spring opposed stabilizer in vent outlet of selected Y602 Series vents restricts vent breathing rate, providing stability under normal conditions. Force of rapid discharge opens stabilizer when such discharges occur.



TYPE Y602-1 (UMBRELLA TYPE)

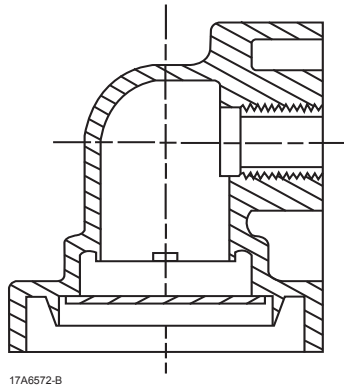


TYPE Y602-13 (ANGLE TYPE)

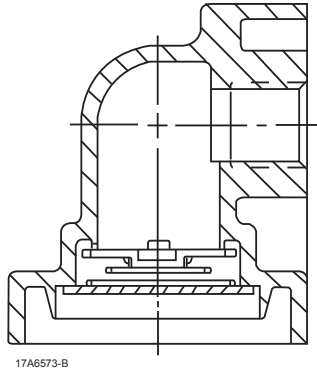
Figure 1. Y602 Series Vent Assemblies

Ordering Information

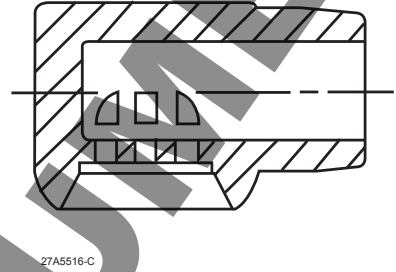
When ordering a Y602 Series vent, specify the type number of the required vent and where the vent is to be used.



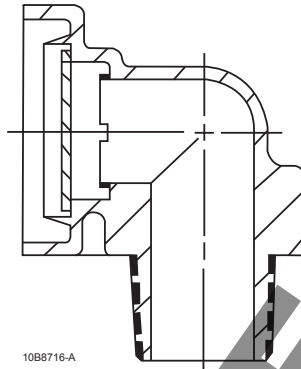
TYPICAL OF
TYPES Y602-5, -7, -9, AND -13



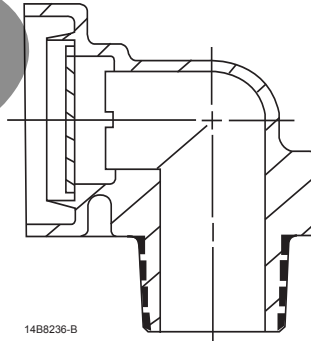
TYPICAL OF
TYPES Y602-6, -8, AND -14



TYPE Y602-12



TYPE Y602-23



TYPE Y602-25

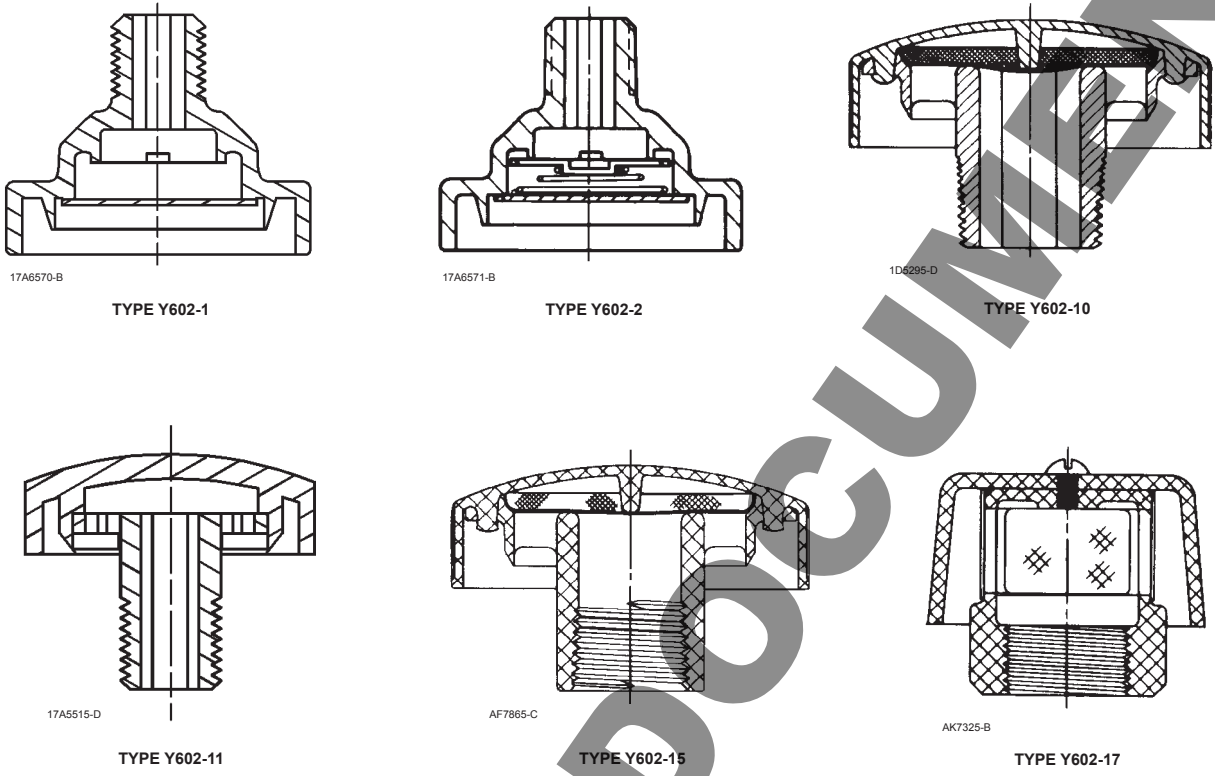
VENT TYPE	END CONNECTION SIZES AND STYLES	VENT MATERIAL ⁽¹⁾	STABILIZER ⁽²⁾	BUG-RESISTANT	WEATHER-RESISTANT
Y602-5	3/8-inch NPT internal	Valox™ 311 plastic	No	Yes	Yes
Y602-6	3/8-inch NPT internal	Valox 311 plastic	Yes	Yes	Yes
Y602-7	1/2-inch NPT internal	Valox 311 plastic	No	Yes	Yes
Y602-8	1/2-inch NPT internal	Valox 311 plastic	Yes	Yes	Yes
Y602-9	3/4-inch NPT internal	Valox 311 plastic	No	Yes	Yes
Y602-12	Drive fit in 1/4-inch NPT internal	Valox 341* plastic	No	Yes	No
Y602-13	1/4-inch NPT internal	Valox 311 plastic	No	Yes	Yes
Y602-14	1/4-inch NPT internal	Valox 311 plastic	Yes	Yes	Yes
Y602-23	3/4-inch NPT external	Plastic	No	Yes	Yes
Y602-25	1-inch NPT external	Plastic	No	Yes	Yes

Valox is a mark owned by General Electric Co.

1. Screen is Monel® (Trademark of Special Metals Corporation) with integral plastic screen for all except Type Y602-12.

2. Stabilizer spring and flapper are stainless steel.

Figure 2. Y602 Series Angle Type Vent Assemblies

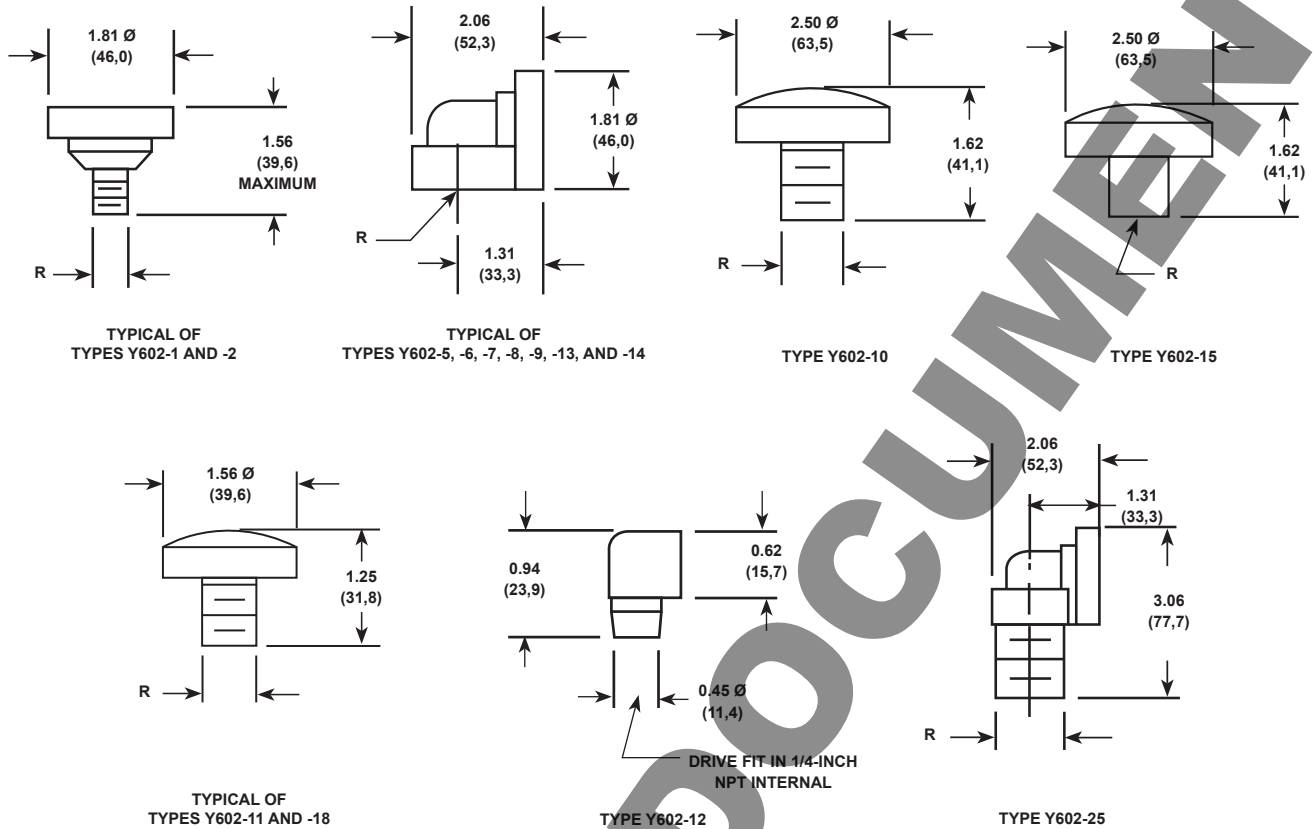


VENT TYPE	END CONNECTION SIZES AND STYLES	VENT MATERIAL ⁽¹⁾	STABILIZER ⁽²⁾	BUG-RESISTANT	WEATHER-RESISTANT
Y602-1	1/4-inch NPT external	Delrin® 107 plastic	No	Yes	Yes
Y602-2	1/4-inch NPT external	Delrin 107 plastic	Yes	Yes	Yes
Y602-10	3/4-inch NPT external	Zinc	No	Yes	Yes
Y602-11	1/4-inch NPT external	Valox™ 311 plastic	No	Yes	Yes
Y602-15	1/2-inch NPT internal	Zinc	No	Yes	Yes
Y602-17	1-inch NPT internal	Cast iron	No	Yes	Yes

Delrin is a mark owned by E. I. du Pont de Nemours and Co.
 1. Screen is Monel® (Trademark of Special Metals Corporation) with integral plastic screen for all except Type Y602-11.
 2. Stabilizer spring and flapper are stainless steel.

Figure 3. Y602 Series Umbrella Type Vent Assemblies

Bulletin 71.8:Y602



15A6373-E

Note: R signifies end connections sizes. Refer to Figures 2 and 3 for the end connection sizes (R).

INCHES
(mm)

Figure 4. Y602 Series Vent Assemblies Dimensions

**Industrial Regulators
Regulator Division
Emerson Process Management**

USA - Headquarters
McKinney, Texas 75070 USA
Tel: 1-800-558-5853
Outside U.S. 1-972-548-3574

Asia-Pacific
Shanghai, China 201206
Tel: +86 21 2892 9000

Europe
Bologna, Italy 40013
Tel: +39 051 4190611

**Natural Gas Technologies
Regulator Division
Emerson Process Management**

USA - Headquarters
McKinney, Texas 75070
Tel: 1-800-558-5853
Outside U.S. 1-972-548-3574

Asia-Pacific
Singapore, Singapore 128461
Tel: +65 6777 8211

Europe
Bologna, Italy 40013
Tel: +39 051 4190611
Gallardon, France 28320
Tel: +33 (0)2 37 33 47 00

**TESCOM
Regulator Division
Emerson Process Management**

USA - Headquarters
Elk River, Minnesota 55330 USA
Tel: 1-763-241-3238

Europe
Selmsdorf, Germany 23923
Tel: +49 (0) 38823 31 0

For further information visit www.emersonprocess.com/regulators

The Emerson logo is a trademark and service mark of Emerson Electric Co. All other marks are the property of their prospective owners. Fisher is a mark owned by Fisher Controls, Inc., a business of Emerson Process Management.

The contents of this publication are presented for informational purposes only, and while every effort has been made to ensure their accuracy, they are not to be construed as warranties or guarantees, express or implied, regarding the products or services described herein or their use or applicability. We reserve the right to modify or improve the designs or specifications of such products at any time without notice.

Emerson Process Management does not assume responsibility for the selection, use or maintenance of any product. Responsibility for proper selection, use and maintenance of any Emerson Process Management product remains solely with the purchaser.