



Specification

Single stage cylinder pressure regulator for the pressure reduction of pressurised gases. (Laboratory)

Fluid Media

O₂

Operating Parameters

Inlet Pressure: 11 to 200 bar/160 to 2900 PSIG

Outlet Pressure: 5 bar/73 PSIG

Relief Valve:

Opening pressure 7 bar/102 PSIG

Temperature Range:

Operation 10 to 40 °C

Storage -20 to +70 °C

Weight approx. 1,3 kg
(depending on inlet connection)

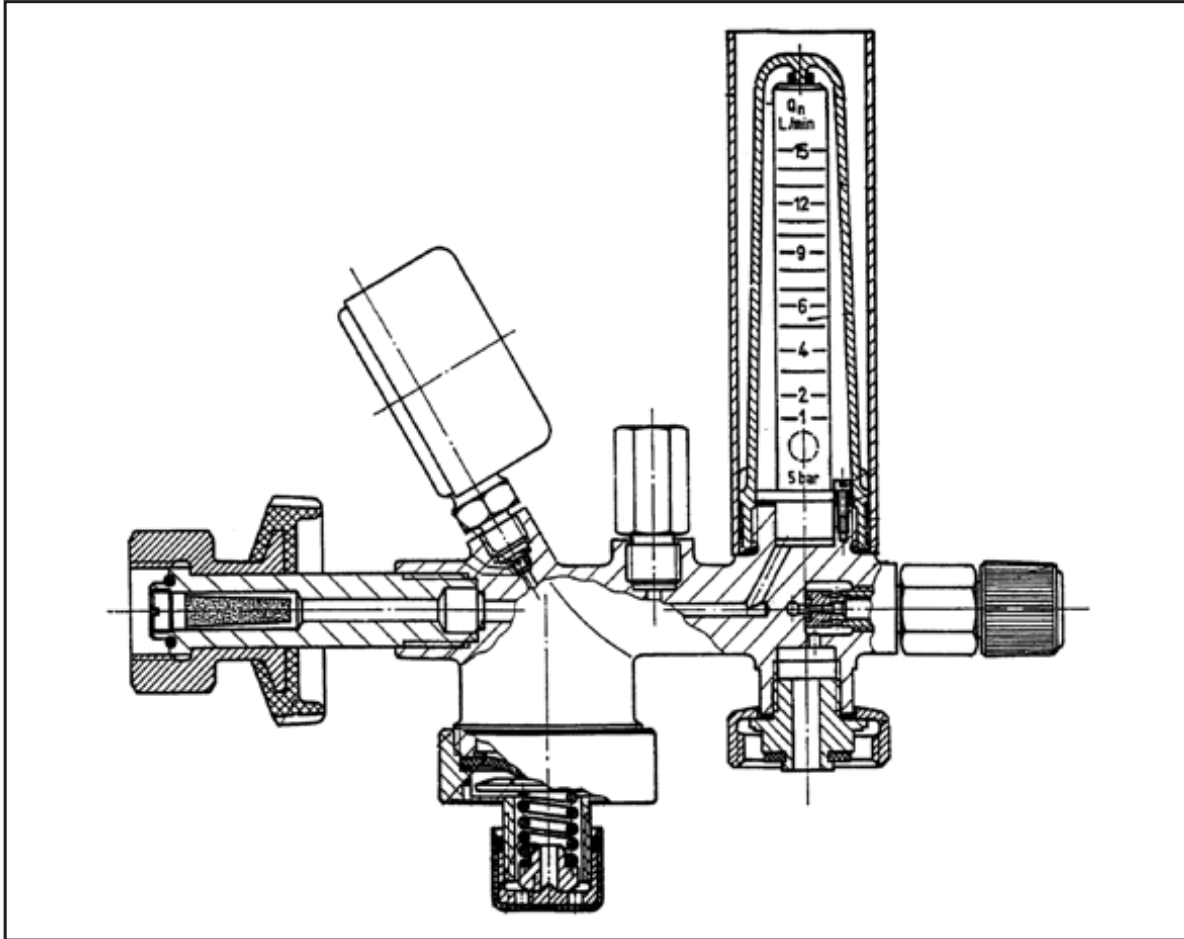
Connections see order no. backpage



- Compact and well proven design
- Safe and reliable operation
- Long service time
- Robust design

Europe only

Z-Werk with flowmeter



Ordering Information

D17476-S Inlet Connection G 3/4 O₂

D18358-S Inlet Connection W21,8 x 1/14" O₂

Recommended Accessories

D45220 nozzle 6 mm

D45236 9/16 - UNF

Europe only

TESCOM
www.tescom-europe.com

TESCOM EUROPE GMBH & CO. KG
An der Trave 23 - 25 • D-23923 Selmsdorf • Germany
Tel: +49 (0) 3 88 23 / 31-0 • Fax: +49 (0) 3 88 23 / 31-199
eu.tescom@emerson.com

TESCOM EUROPE is a business unit of Emerson Process Management Regulator Technologies, Inc.
Trademarks are property of divisions of Emerson Process Management.
12111-09-05 Subject to technical changes


EMERSON
Process Management