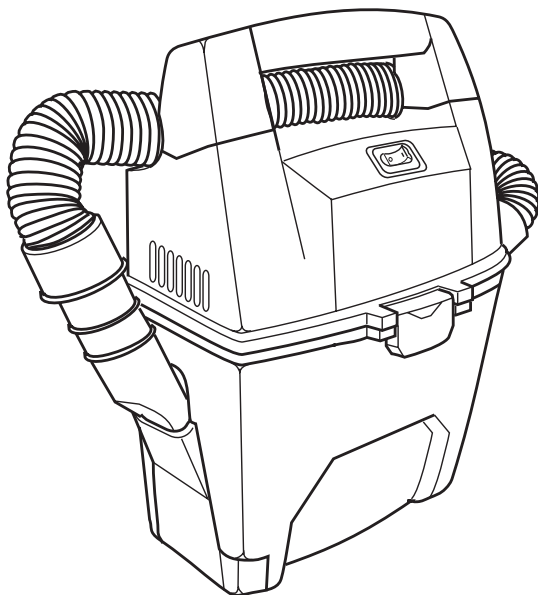


OWNER'S MANUAL

3 U.S. GALLON/11 LITER
WET/DRY VAC

WD30500/WD3050M0



FOR QUESTIONS OR INFORMATION CONTACT US AT
1-800-4-RIDGID (1-800-474-3443) from the US and Canada
01-800-701-9811 from Mexico
www.ridgidvac.com

⚠ WARNING:

To reduce the risk of injury, the user must read and understand the owner's manual before using this product.

Thank you for buying a RIDGID product.

• Español - página 13

SAVE THIS MANUAL FOR FUTURE REFERENCE

Table of Contents

Section	Page	Section	Page
Important Safety Instructions	2	Cleaning Vac Filter	9
Introduction	4	Filter Removal	9
Checking Carton Contents	4	Cleaning a Dry Filter	9
Getting to Know Your Vac	4	Cleaning a Wet Filter	9
Filter Removal and Installation	5	Installation	10
Operation	6	Cleaning and Disinfecting the Wet/Dry Vac	10
Vacuuming Dry Materials	7	Cord Maintenance	10
Vacuuming Liquids	7	Storage	10
Emptying Dust Drum	7	Repair Parts	11
Cord, Hose and Accessory Storage	8	Warranty	12
Maintenance	9		

IMPORTANT SAFETY INSTRUCTIONS

Safety is a combination of common sense, staying alert, and knowing how your Wet/Dry vacuum cleaner (“Vac”) works.

Safety Signal Words

▲ DANGER: Indicates a hazardous situation which, if not avoided, will result in death or serious injury.

▲ WARNING: Indicates a hazardous situation which, if not avoided, could result in death or serious injury.

▲ CAUTION: Indicates a hazardous situation which, if not avoided, could result in minor or moderate injury.


When using your Vac, always follow basic safety precautions including the following:

▲ WARNING

- To reduce the risk of fire, electric shock, or injury:

- Read and understand this manual and all labels on the Wet/Dry Vac before operating.
- Use only as described in this manual.
- Do not leave Vac running while unattended - you may fail to notice important signs indicating abnormal operation such as loss of suction, debris/liquid exiting exhaust, or abnormal motor noises. Immediately stop using Vac if you notice these signs.
- Do not leave Vac when plugged in. Unplug from outlet when not in use and before servicing.

- Sparks inside the motor can ignite flammable vapors or dust. To reduce the risk of fire or explosion, do not use near combustible liquids, gases, or dusts, such as gasoline or other fuels, lighter fluid, cleaners, oil-based paints, natural gas, coal dust, magnesium dust, grain dust, aluminum dust, or gun powder.
- Do not vacuum drywall dust, cold fireplace ash, or other fine dusts with standard filter. These may pass through the filter and be exhausted back into the air. Use a fine dust filter instead.
- To reduce the risk of inhaling toxic vapors, do not vacuum or use near toxic or hazardous materials.
- To reduce the risk of electric shock, do not expose to rain or allow liquid to enter motor compartment. Store indoors.
- Do not allow to be used as a toy. Close attention is necessary when used by or near children.
- Do not use with a torn filter or without the filter installed except when vacuuming liquids as described in this manual. Dry Debris ingested by the impeller may damage the motor or be exhausted back into the air.
- Turn off Vac before unplugging.
- To reduce the risk of injury from accidental starting, unplug power cord before changing or cleaning filter.

- Do not unplug by pulling on cord. To unplug, grasp the plug, not the cord.
 - Do not use with damaged cord, plug or other parts. If your Vac is not working as it should, has missing parts, has been dropped, damaged, left outdoors, or dropped into water, call customer service.
 - Do not pull or carry by cord, use cord as handle, close a door on cord, or pull cord around sharp edges or corners. Keep cord away from heated surfaces.
 - Do not handle plug, switch, or the Vac with wet hands.
 - Use only extension cords that are rated for outdoor use. Extension cords in poor condition or too small in wire size can pose fire and shock hazards. To reduce the risk of these hazards, be sure the cord is in good condition and that liquid does not contact the connection. Do not use an extension cord with conductors smaller than 16 gauge (AWG) in size. To reduce power loss, use a 14 gauge extension cord if 25 to 50 ft long and 12 gauge for 50 ft or longer.
 - This Wet/Dry Vac is double-insulated, eliminating the need for a separate grounding system. Use only identical replacement parts. Read the instructions for Servicing Double-Insulated Wet/Dry Vacs before servicing.
 - Do not put any object into ventilation openings. Do not vacuum with any ventilation openings blocked; keep free of dust, lint, hair or anything that may reduce air flow.
 - Keep hair, loose clothing, fingers, and all parts of body away from openings and moving parts.
 - To reduce the risk of falls, use extra care when cleaning on stairs.
 - To reduce the risk of personal injury or damage to Vac, use only Ridgid recommended accessories.
 - To reduce the risk of eye injury, wear safety eyewear. The operation of any utility Vac or blower can result in foreign objects being blown into the eyes, which can result in severe eye damage.
-
- ▲ CAUTION:**
- To reduce the risk of hearing damage, wear ear protectors when using for extended time or in a noisy area.
 - For dusty operations, wear dust mask.
 - Static shocks are common when the relative humidity of the air is low. Vacuuming fine debris with your Vac can deposit static charge on the hose or Vac. To reduce the frequency of static shocks in your home or when using this Vac, add moisture to the air with a humidifier.
-
- Observe the following warnings that appear on the motor housing of your Vac:
- 

DOUBLE INSULATED
GROUNDING NOT REQUIRED.
WHEN SERVICING USE ONLY
IDENTICAL REPLACEMENT PARTS.
- ▲ WARNING: For your own safety, read and understand owner's manual. Do not run unattended. Do not pick up hot ashes, coals, toxic, flammable or other hazardous materials. Do not use around explosive liquids or vapors.**
- ▲ WARNING: To reduce the risk of electric shock - do not expose to rain - store indoors.**

SAVE THIS MANUAL

Introduction

This Wet/Dry Vac is intended for household use. It may be used for light vacuuming of wet or dry media. The light weight design allows usage for most small household vacuuming chores.

Familiarize yourself with the following product and features and read the entire owner's manual for specific usage of your new Wet/Dry Vac.

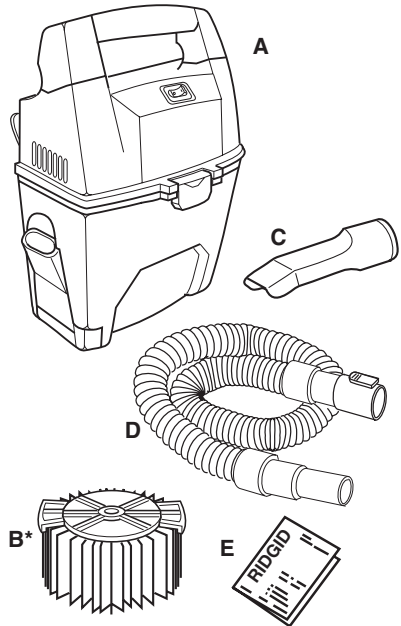
Checking Carton Contents

Remove contents of carton. Check each item against the Carton Contents List. Contact 1-800-4-RIDGiD (1-800-474-3443) from the US and Canada, 01-800-701-9811 from Mexico or www.ridgidvac.com if any parts are damaged or missing.

Carton Contents List

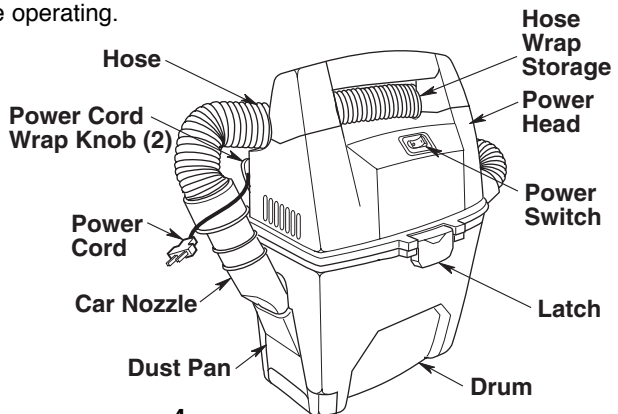
Key	Description	Qty
A	3-Gallon Wet/Dry Vac	1
B*	Filter	1
C	Car Nozzle	1
D	Hose Assembly (Flex)	1
E	Owner's Manual	1

* The filter comes preassembled to the power head.



Getting to Know Your Vac

Familiarize yourself with the controls and features of your Vac before operating.



Filter Removal and Installation

▲ WARNING: For your own safety, never connect plug to power source outlet until all assembly steps are complete and you have read and understood the safety and operation instructions. Do not operate Vac with any parts damaged or missing.

To Remove Power Head:

Grasp the drum latches on both the front and back side of the power head. Slowly pull the drum latches away from the drum. Lift the power head off the drum. Place the lid assembly of the Vac on its side.

▲ WARNING: Do not operate without filter cage and float, as they prevent liquid from entering the impeller and damaging the motor. For dry material pick-up, do not operate without the filter in place in order to reduce the risk of damage to the motor.

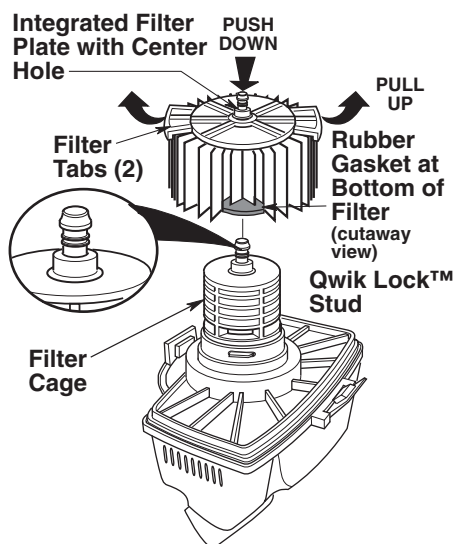
Removal and Installation When Using the Qwik Lock™ Stud

Filter Removal:

1. Hold the filter tabs of the Qwik Lock™ filter in each hand.
2. With one thumb on the Qwik Lock™ stud, which protrudes through the integrated filter plate, lift up on the filter tabs while pushing down on the stud.
3. This action will cause the filter to release from the filter cage. Slide filter off cage.

Filter Installation:

1. Carefully slide the Qwik Lock™ filter over the filter cage and press down on the outside edge of the filter until the rubber gasket on the bottom of the filter seats securely around the base of the filter cage and against the lid.
2. Align the small center hole in the top of the filter over the Qwik Lock™ stud on the filter cage. Press firmly on top of the filter near the stud to allow the filter to snap over the ball on the end of the stud. The filter is now attached.



NOTE: Failure to properly seat the bottom gasket could result in debris bypassing the filter.

Operation

▲ WARNING: To reduce the risk of fire, explosion, or damage to Vac:

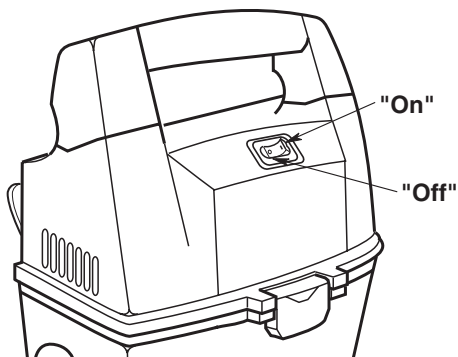
- Do not leave Vac running while unattended - you may fail to notice important signs indicating abnormal operation such as loss of suction, debris/liquid exiting exhaust, or abnormal motor noises. Immediately stop using Vac if you notice these signs.
- Do not leave Vac plugged-in when not in use.
- Do not continue running when float has cut off suction.
- Do not operate Vac in areas with flammable gases, vapors or explosive dust in the air. Sparks inside the motor can ignite airborne flammables. Flammable gases and vapors include: lighter fluid, solvent-type cleaners, oil-based paints, gasoline, alcohol, or aerosol sprays. Flammable dusts include: coal, magnesium, aluminum, grain, or gun powder.
- Do not vacuum up explosive dusts, flammable liquids, or hot ashes.
- Do not use Vac as a sprayer.

▲ WARNING: To reduce the risk of electric shock or injury:

- Do not expose to rain or allow liquid to enter motor compartment. Store indoors.
- Do not handle plug, switch, or Vac with wet hands.
- Do not service Vac while it is plugged-in. If your Vac is not working as it should, has missing parts, has been dropped, damaged, left outdoors, or dropped into water, return it to an independent service center or call customer service.
- When using an extension cord, use only outdoor-rated cords that are in good condition. Do not allow the connection to come into contact with liquid.
- Do not vacuum toxic materials to reduce the risk of inhaling the vapors or dust.

To reduce the risk of electric shock, this Vac has a polarized plug (one blade is wider than the other except 230 volt models). This plug will fit in a polarized outlet only one way. If the plug does not fit fully in the outlet, reverse the plug. If it still does not fit, contact a qualified electrician to install the proper outlet. Do not change the plug in any way.

After you plug the power cord into the outlet, turn the unit on by pushing the switch from position "O" to position "I". The symbols used on the switch actuator are international "On & Off" symbols:



○ = OFF | = ON

Operation (continued)

Familiarize yourself with the accessories included with the Vac. Each accessory may be used in various ways for vacuuming debris. Here is a list of the accessories and their uses.

Dust Pan Feature - Allows for debris collection without removing the car nozzle and hose.

Car Nozzle - Dry pickup nozzle for car interiors and most upholstery cleaning.

Hose - Provides transfer of vacuum or blowing capability to work site. Provides the means of attaching extension wands and nozzles.

Vacuuming Dry Materials

1. The filter must always be in correct position at all times to avoid leaks and possible damage to Vac.
2. When using your Vac to pick up very fine dust, it will be necessary for you to empty the drum and clean the filter at more frequent intervals to maintain peak Vac performance.

NOTE: A dry filter is necessary to pick up dry material. If you use your Vac to pick up dust when the filter is wet, the filter will clog quickly and be very difficult to clean.

Vacuuming Liquids

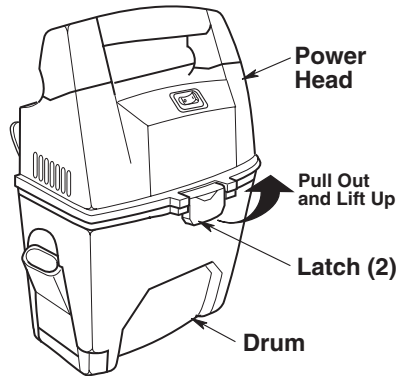
1. When picking up small amounts of liquid the filter may be left in place.
2. When picking up large amounts of liquid we recommend that the filter be removed. If the filter is not removed, it will become saturated and misting may appear in the exhaust.

⚠ WARNING: Do not operate without filter cage and float, as they prevent liquid from entering the impeller and damaging the motor.

3. When the liquid in the drum reaches a predetermined level, the float mechanism will rise automatically to cut off airflow. You will know that the float has risen because Vac airflow ceases and the motor noise will become higher in pitch, due to increased motor speed. When this happens, turn off the Vac, unplug the power cord, and empty the drum.
4. After using the Vac to pick up liquids, the filter must be dried to avoid possible mildew and damage to the filter.

Emptying the Drum

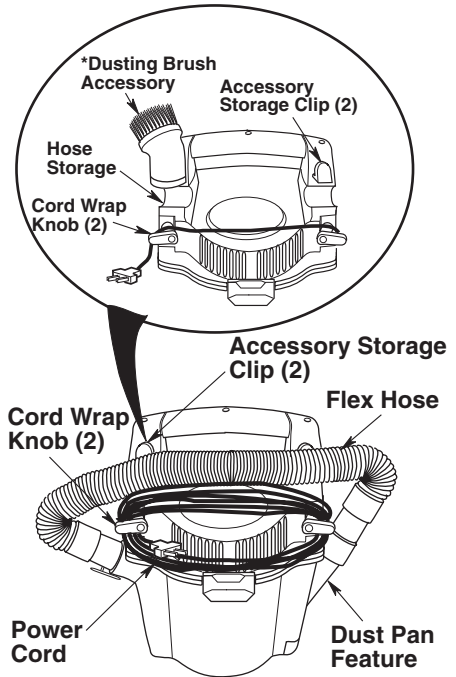
1. Grasp the drum latches on both the front and back side of the power head. Slowly pull the drum latches away from the drum. Lift the power head off the drum. Place the lid assembly of the Vac on its side.



2. Dump the drum contents into the proper waste disposal container.

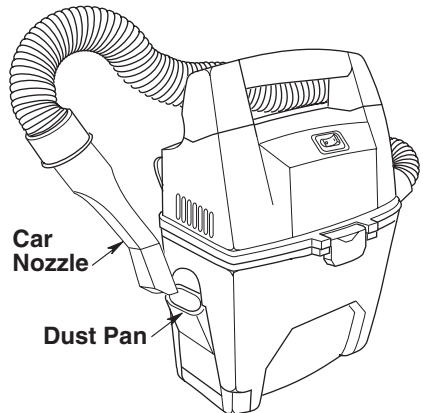
Cord, Hose and Accessory Storage

1. Your Vac has a convenient area to store your power cord and Vac hose.
2. Wrap the power cord around the top of cord wrap knobs on the back of the Vac and attach the end of the plug to the cord.
3. Wrap the hose over the top of the Vac as shown and secure underneath handle.
4. For additional accessory storage, slide the accessory (sold separately) over the accessory storage clips located at the back of the handle of the Vac.



*Dusting brush accessory sold separately.

5. The car nozzle is attached to the hose and stored in the dust pan feature located on the side of the drum (see image to the right for correct orientation of car nozzle).



Maintenance

▲ WARNING: To assure product **SAFETY** and **RELIABILITY**, repairs and adjustments should be performed by Authorized Service Centers, always using RIDGID replacement parts.

Cleaning Vac Filter

▲ WARNING: To reduce the risk of injury from accidental starting, unplug power cord before changing or cleaning filter or foam pad.

NOTE: The filter is made of high quality paper designed to stop very small particles of dust. The filter can be used for dry pick up or small amounts of liquid. Handle the filter carefully when removing to clean or installing it. Creases in the filter pleats may occur from installation but will not affect the performance of the filter.

Filter Removal

Refer to page 5 "Filter Removal and Installation" Section of this manual.

IMPORTANT: To avoid damage to the blower wheel and motor, always reinstall the filter before using the Vac for dry material pickup.

Cleaning A Dry Filter

NOTE: For best cleaning results due to accumulated dust, clean the filter in an open area. Cleaning **SHOULD** be done outdoors and not in the living quarters.

1. Light cleaning of some dry debris from the filter can be accomplished without removing the filter from the Vac. Simply slap your hand on top of the handle while the Vac is turned off.
2. Remove filter from Vac. Gently tap the filter against the inside wall of your dust drum and the debris will loosen and fall.
3. For thorough cleaning of a dry filter with fine dust (no debris) you may run water through it as described under "Cleaning A Wet Filter" Section.

Cleaning A Wet Filter

After filter is removed, run water through the filter from a hose or spigot. Take care that water pressure from the hose is not strong enough to damage filter.

IMPORTANT: After cleaning, check the filter for tears or small holes. Do not use a filter with holes or tears in it. Even a small hole can cause a lot of dust to come out of your Vac.

IMPORTANT: If your filter is damaged or worn, **Replace it immediately.**

Maintenance (continued)

Installation

Refer to page 5 "Filter Removal and Installation" Section of this manual.

Allow the filter to dry before reinstalling and storing the Vac or picking up dry debris.

Cleaning and Disinfecting the Wet/Dry Vac

To keep your Wet/Dry Vac looking its best, clean the outside with a cloth dampened with warm water and mild soap.

To clean the drum:

1. Dump debris out.
2. Wash drum thoroughly with warm water and mild soap.
3. Wipe out with dry cloth.

Before prolonged storage or as needed (i.e., waste water pick up) the drum should be disinfected.

To disinfect the drum:

1. Pour 1 gallon of water and 1 teaspoon chlorine bleach into the drum.
2. Let solution stand for 20 minutes, carefully swishing every few minutes, making sure to wet all inside surfaces of the drum.
3. Empty drum after 20 minutes. Rinse with water until bleach smell is gone. Allow drum to dry completely before sealing the motor on the drum.

Cord Maintenance

When vacuuming is complete, unplug the cord and wrap it around the cord wrap knobs. If the power cord is damaged, it must be replaced by the manufacturer or their service agent or by similarly qualified personnel to reduce the risk of accident.

Storage

Before storing your Vac, the drum should be emptied and cleaned. The cord should be wrapped around the cord wrap knobs and the hose should be stored as described in this manual. Accessories should be kept in the same area as the Vac so they can be readily available. The Vac should be stored indoors.


Repair Parts

RIDGID 3 U.S. Gallon/11 Liter Wet/Dry Vac Model Number WD30500/WD3050M0

RIDGID parts are available on-line at www.ridgidparts.com
Always order by Part Number - Not by Key Number

▲ WARNING

SERVICING OF DOUBLE-INSULATED WET/DRY VAC

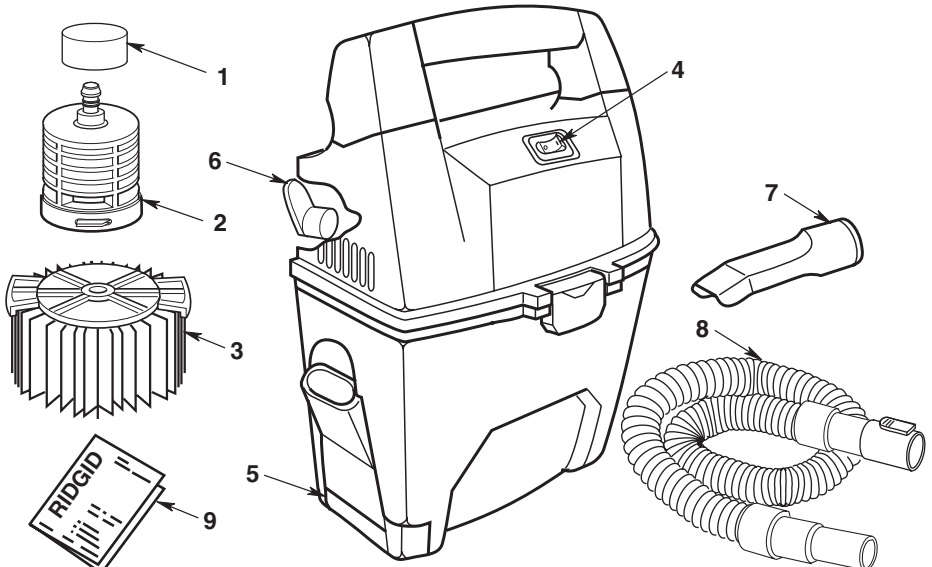
In a double-insulated Wet/Dry Vac, two systems of insulation are provided instead of grounding. No grounding means is provided on a double-insulated appliance, nor should a means for grounding be added. Servicing a double-insulated Wet/Dry Vac requires extreme care and knowledge of the system, and should be done only by qualified service personnel. Replacement parts for a double-insulated Wet/Dry Vac must be identical to the parts they replace. Your double-insulated Wet/Dry Vac is marked with the words "DOUBLE INSULATED" and the symbol  (square within a square) may also be marked on the appliance.

To reduce the risk of injury from electrical shock, unplug power cord before servicing the electrical parts of the Wet/Dry Vac.

Key No.	Part No.	Description
1	831388	Float
2	818977-1	Filter Cage
3	VF3500	† Filter
4	832086	Switch
5	833165	Dust Pan

Key No.	Part No.	Description
6	833161	Knob Cord Wrap
7	VT1781	Car Nozzle
8	831327	Hose Assembly (Flex)
9	SP6747	Owner's Manual

† Replacement parts may be available where you purchased your Vac.





- **What is covered**

RIDGID® Wet/Dry Vacs are warranted to be free of defects in workmanship and material.

- **How long coverage lasts**

This warranty lasts for the lifetime of the RIDGID® Wet/Dry Vac.

- **How to obtain service**

To obtain the benefit of this warranty, deliver via prepaid transportation the complete product to RIDGE TOOL COMPANY, Elyria, Ohio, or any authorized RIDGID® INDEPENDENT SERVICE CENTER. Pipe wrenches and other hand tools should be returned to the place of purchase.

- **What we will do to correct problems**

Warranted Wet/Dry Vacs will be repaired or replaced, at Ridge Tool Company's option, and returned at no charge; or, if after three attempts to repair or replace during the warranty period the Wet/Dry Vac is still defective, you can elect to receive a full refund of your purchase price.

- **What is not covered**

Failures due to misuse, abuse or normal wear and tear are not covered by this warranty. **RIDGE TOOL COMPANY SHALL NOT BE RESPONSIBLE FOR ANY INCIDENTAL OR CONSEQUENTIAL DAMAGES.**

- **How local laws relate to the warranty**

Some states do not allow the exclusion or limitation of incidental or consequential damages, so the above limitation or exclusion may not apply to you. This warranty gives you specific rights, and you may also have other rights which vary from state to state, province to province, or country to country.

- **No other express warranty applies**

This FULL LIFETIME WARRANTY is the sole and exclusive warranty for RIDGID® Wet/Dry Vacs. No employee, agent, dealer, or other person is authorized to alter this warranty or make any other warranty on behalf of Ridge Tool Company.

Stock No. WD3050/WD3050M
Model No. WD30500/WD3050M0
Serial No. _____

Model and Serial numbers may be found on the label near cord entry on Vac.
You should record both Model and Serial numbers in a safe place for future use.

FOR QUESTIONS OR INFORMATION CONTACT US AT
1-800-4-RIDGID (1-800-474-3443) from the US and Canada
01-800-701-9811 from Mexico
www.ridgidvacs.com

Please have your Model Number and Serial Number on hand when calling.



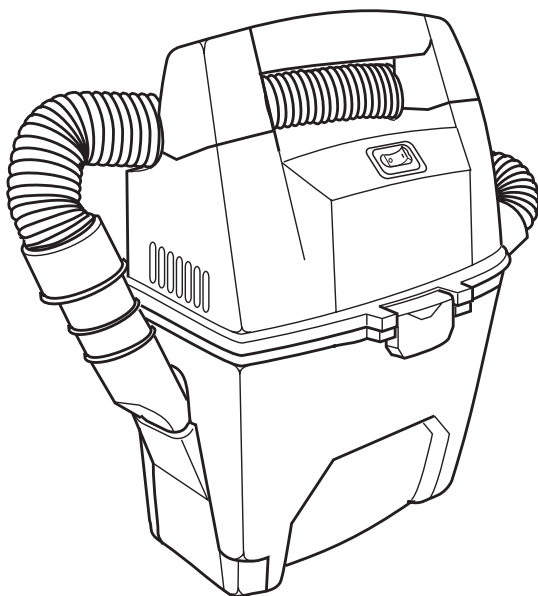
EMERSON™
Professional Tools

Emerson Tool Company
A Division Of
Emerson Electric Co.

RIDGID®

MANUAL DEL USUARIO
ASPIRADORA PARA MOJADO/SECO
DE 3 GALONES EE.UU./ 11 LITROS

WD30500/WD3050MO



¿PREGUNTAS O COMENTARIOS? COMUNÍQUESE CON NOSOTROS EN
1-800-4-RIDGID (1-800-474-3443) desde los EE.UU. y Canadá
01-800-701-9811 desde México
www.ridgidvac.com

⚠ ADVERTENCIA: Para reducir el riesgo de lesiones, el usuario debe leer y entender el manual del usuario antes de utilizar este producto.

Gracias por comprar un producto RIDGID.

GUARDE ESTE MANUAL PARA REFERENCIA FUTURA

Índice

Sección	Página	Sección	Página
Instrucciones de seguridad importantes	14	Mantenimiento	21
Introducción	16	Limpieza del filtro de la aspiradora	21
Comprobación del contenido de la caja de cartón	16	Remoción del filtro	22
Familiarización con la aspiradora	16	Limpieza de un filtro seco	22
Remoción e instalación del filtro	17	Limpieza de un filtro mojado	22
Funcionamiento	19	Instalación	22
Recogida de materiales secos		Limpieza y desinfección de la aspiradora	
con la aspiradora	20	para mojado/seco	22
Recogida de líquidos con la aspiradora	20	Mantenimiento del cordón	22
Vaciado del tambor para polvo	20	Almacenamiento	22
Área de almacenamiento del cordón,		Piezas de repuesto	23
la manguera y los accesorios	21	Garantía	24

INSTRUCCIONES DE SEGURIDAD IMPORTANTES

La seguridad es una combinación de sentido común, permanecer alerta y saber cómo funciona la aspiradora para mojado/seco ("la aspiradora").

Palabras de señal de seguridad

▲ PELIGRO: indica una situación peligrosa que, si no se evita, causará la muerte o lesiones graves.

▲ ADVERTENCIA: indica una situación peligrosa que, si no se evita, podría causar la muerte o lesiones graves.

▲ PRECAUCIÓN: indica una situación peligrosa que, si no se evita, pudiera causar lesiones leves o moderadas o daños materiales.

Cuando utilice la aspiradora, siga siempre las precauciones básicas de seguridad, incluyendo las siguientes:

▲ ADVERTENCIA – Para reducir el riesgo de incendio, sacudidas eléctricas o lesiones:

- Lea y entienda este manual del usuario y todas las etiquetas que están colocadas en la aspiradora para mojado/seco antes de utilizarla.
- Utilice la aspiradora únicamente de la manera que se describe en este manual.
- No deje la aspiradora en marcha mientras esté desatendida. Usted podría no notar señales importantes que indiquen un funcionamiento anormal, tal como pérdida de succión, residuos o líquido que salen por el escape o ruidos anormales del motor. Deje de usar la aspiradora inmediatamente si observa estas señales.
- No abandone la aspiradora cuando esté enchufada. Desenchúfela del tomacorriente cuando no la esté utilizando y antes de realizar servicio de revisión.
- Las chispas que se producen en el interior del motor pueden incendiar los vapores inflamables o el polvo. Para reducir el riesgo de incendio o explosión: No use la aspiradora cerca de líquidos o gases inflamables o combustibles, o polvos explosivos como gasolina u otros combustibles, líquido encendedor, limpiadores, pinturas a base de aceite, gas natural, hidrógeno, polvo de carbón, polvo de magnesio, polvo de aluminio, polvo de granos de cereal o pólvoa.
- No recoja con la aspiradora polvo de pared de tipo seco ni hollín frío o ceniza fría de chimenea con un filtro estándar. Estos materiales pueden pasar por el filtro y pueden ser expulsados de vuelta al aire. Utilice un filtro para polvo fino en lugar de un filtro estándar.
- Para reducir el riesgo de inhalar vapores tóxicos, no recoja con la aspiradora materiales tóxicos o peligrosos ni la use cerca de dichos materiales.
- Para reducir el riesgo de descargas eléctricas, no exponga la aspiradora a la lluvia ni deje que entren líquidos en el compartimiento del motor. Guarde la aspiradora en un lugar interior.
- No permita que la aspiradora se utilice como un juguete. Se necesita prestar máxima atención cuando sea utilizada por niños o cerca de éstos.
- No use la aspiradora con un filtro desgarrado o sin tener el filtro instalado, excepto cuando recoja con ella líquidos de la manera que se describe en este manual. Los residuos secos absorbidos por el impulsor podrían dañar el motor o ser expulsados de vuelta al aire.
- Apague la aspiradora antes de desenchufarla.
- Para reducir el riesgo de lesiones debidas a un arranque accidental, desenchufe el cordón de energía antes de cambiar o limpiar el filtro.

- No desenchufe la aspiradora tirando del cordón. Para desenchufarla, agarre el enchufe y no el cordón.
- No use la aspiradora con el cordón dañado, el enchufe dañado u otras piezas dañadas. Si la aspiradora no funciona como debe, le faltan piezas, se ha caído, ha sido dañada, se ha dejado a la intemperie o se ha caído al agua, llame a servicio al cliente.
- No tire de la aspiradora usando el cordón ni la lleve por el cordón, ni use el cordón como asa, ni cierre una puerta sobre el cordón, ni tire del cordón alrededor de bordes o esquinas afilados.
- No maneje el enchufe, el interruptor o la aspiradora con las manos mojadas.
- Utilice únicamente cordones de extensión que tengan capacidad nominal para uso a la intemperie. Los cordones de extensión que estén en malas condiciones o tengan un tamaño de alambre demasiado pequeño pueden crear peligros de incendio y descargas eléctricas. Para reducir el riesgo de estos peligros, asegúrese de que el cordón esté en buenas condiciones y que el líquido no entre en contacto con la conexión. No utilice un cordón de extensión que tenga conductores con un diámetro menor al calibre 16 (AWG). Para reducir la pérdida de potencia, utilice un cordón de extensión de calibre 14 si la longitud es de 25 a 50 pies, y de calibre 12 si la longitud es de 50 pies o más.
- Esta aspiradora para mojado/seco tiene aislamiento doble, lo cual elimina la necesidad de un sistema independiente de conexión a tierra. Utilice únicamente piezas de repuesto idénticas. Lea las instrucciones de servicio de revisión de las aspiradoras para mojado/seco con aislamiento doble antes de realizar dicho servicio.
- No ponga ningún objeto en las aberturas de ventilación. No recoja nada con la aspiradora cuando cualquiera de las aberturas de ventilación esté bloqueada; mantenga dichas aberturas libres de polvo, pelusa, pelo o cualquier cosa que pueda reducir el flujo de aire.
- Mantenga el pelo, la ropa holgada, los dedos y todas las partes del cuerpo alejados de las aberturas y de las piezas móviles.
- Para reducir el riesgo de caídas, tenga cuidado adicional al limpiar en escaleras.
- Para reducir el riesgo de lesiones corporales o daños a la aspiradora, utilice únicamente accesorios recomendados por Ridgid.
- Para reducir el riesgo de lesiones en los ojos, use protección ocular de seguridad. La utilización de cualquier aspiradora utilitaria o soplador utilitario puede hacer que se soplen objetos extraños hacia los ojos, lo cual puede causar daños graves en los ojos.

▲ PRECAUCIÓN:

- Para reducir el riesgo de daños a la audición, use protectores de oídos cuando utilice la aspiradora durante muchas horas seguidas o cuando la emplee en un área ruidosa.
- Para operaciones que generan polvo, use una máscara antipolvo.
- Las descargas de estática son comunes cuando la humedad relativa del aire es baja. Si recoge residuos finos con la aspiradora, se puede depositar carga estática en la manguera o en la aspiradora. El mejor remedio para reducir la frecuencia de las descargas de estática en su casa o cuando use esta aspiradora es añadir humedad al aire con un humidificador.

Siga las siguientes advertencias que aparecen en la caja del motor de la aspiradora.



AISLAMIENTO DOBLE. NO SE REQUIERE CONEXION A TIERRA.

CUANDO HAGA SERVICIO DE REVISIÓN DE LA ASPIRADORA, UTILICE ÚNICAMENTE PIEZAS DE REPUESTO IDÉNTICAS.

▲ ADVERTENCIA: Para su propia seguridad, lea y entienda el manual del operador. No tenga en marcha la aspiradora desatendida. No recoja cenizas calientes, carbón caliente, materiales tóxicos ni inflamables ni otros materiales peligrosos. No use la aspiradora alrededor de líquidos o vapores explosivos.

▲ ADVERTENCIA: Para reducir el riesgo de sacudidas eléctricas, no exponga la aspiradora a la lluvia y almacénela en interiores.

GUARDE ESTE MANUAL

Introducción

Esta aspiradora para mojado/seco está diseñada para uso doméstico. Se puede utilizar para la recogida ligera de medios mojados o secos. El diseño liviano permite la utilización para realizar la mayoría de las tareas domésticas de aspiración pequeñas.

Familiarícese con las siguientes características del producto y lea todo el manual del usuario para obtener instrucciones sobre la utilización específica de su nueva aspiradora para mojado/seco.

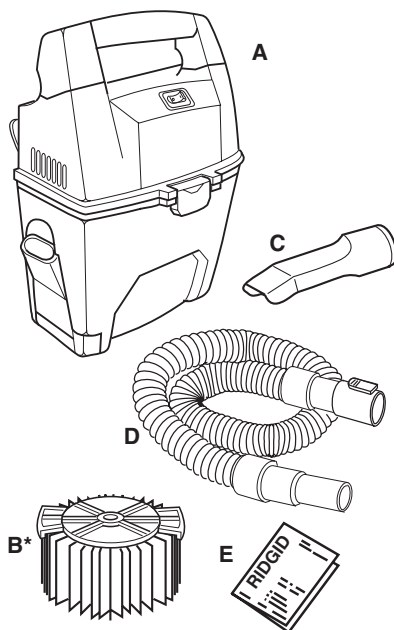
Comprobación del contenido de la caja de cartón

Saque todo el contenido de la caja de cartón. Asegúrese de que no falte ningún artículo utilizando la lista del contenido de la caja. Llame al 1-800-4-RIDGID (1-800-474-3443) desde los EE.UU. y Canadá, y al 01-800-701-9811 desde México, o envíenos un correo electrónico a www.ridgidvac.com si cualquier pieza está dañada o falta.

Lista del contenido de la caja de cartón

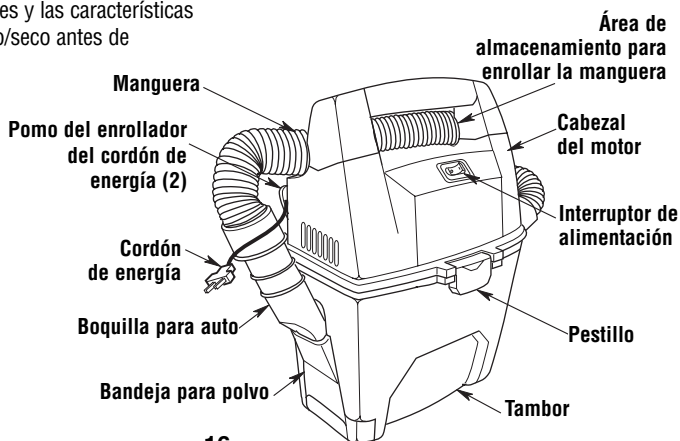
Clave	Descripción	Cant.
A	Aspiradora para mojado/seco de 3 galones.....	1
B*	Filtro	1
C	Boquilla para auto	1
D	Ensamblaje de manguera (Flex)	1
E	Manual del usuario	1

* El filtro viene preensamblado en el cabezal del motor.



Familiarización con la aspiradora

Familiarícese con los controles y las características de la aspiradora para mojado/seco antes de utilizarla.



Remoción e instalación del filtro

⚠ ADVERTENCIA: Para su propia seguridad, nunca conecte el enchufe a un tomacorriente hasta que se hayan completado todos los pasos de ensamblaje y usted haya leído y entendido las instrucciones de seguridad y de funcionamiento. No haga funcionar la aspiradora cuando alguna pieza esté dañada o falte.

Para retirar el cabezal del motor:

Agarre los pestillos del tambor ubicados tanto en el lado derecho como en el lado izquierdo del cabezal del motor. Tire lentamente de los pestillos del tambor alejándolos del tambor. Levante el cabezal del motor hasta separarlo del tambor. Coloque en posición invertida el ensamblaje de la tapa de la aspiradora.

⚠ ADVERTENCIA: No utilice la aspiradora sin la jaula del filtro y el flotador, ya que estas piezas evitan que entre líquido en el impulsor y dañe el motor. Para recoger material seco, no utilice la aspiradora sin tener colocado el filtro en su sitio, para reducir el riesgo de daños al motor.

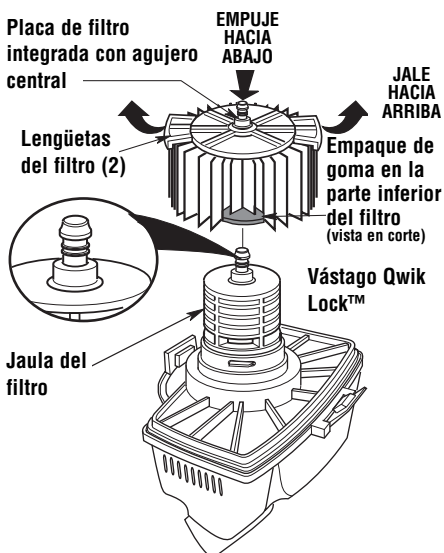
Remoción e instalación cuando se utiliza el vástago Qwik Lock™

Remoción del filtro:

1. Sostenga las lengüetas del filtro Qwik Lock™ en cada mano.
2. Con un dedo pulgar en el vástago Qwik Lock™, que sobresale a través de la placa del filtro integrada, levante las lengüetas del filtro a la vez que empuja hacia abajo sobre el vástago.
3. Esta acción hará que el filtro se suelte de la jaula del filtro. Deslice el filtro hasta retirarlo de la jaula.

Instalación del filtro:

1. Deslice cuidadosamente el filtro Qwik Lock™ sobre la jaula del filtro y presione hacia abajo sobre el borde exterior del filtro hasta que el empaque de goma ubicado en la parte inferior del filtro se asiente firmemente alrededor de la base de la jaula del filtro y contra la tapa.
2. Alinee el agujero central pequeño ubicado en la parte superior del filtro sobre el vástago Qwik Lock™ ubicado en la jaula del filtro. Presione firmemente sobre la parte de arriba del filtro cerca del vástago, para permitir que el filtro se acople a presión sobre la bola ubicada en el extremo del vástago. Una vez hecho esto, el filtro estará instalado.



NOTA: Si no se asienta apropiadamente el empaque inferior, el resultado podría ser que los residuos pasen por alto el filtro.

Funcionamiento

▲ ADVERTENCIA: Para reducir el riesgo de incendio, explosión o daños a la aspiradora:

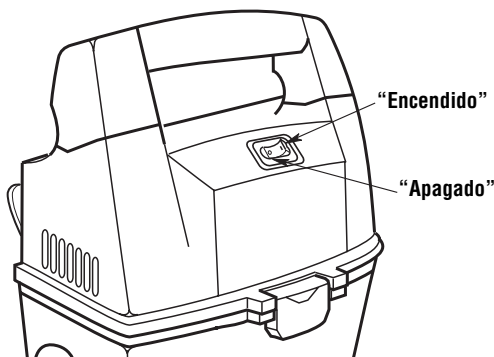
- No deje la aspiradora en marcha mientras esté desatendida. Usted podría no notar señales importantes que indiquen un funcionamiento anormal, tal como pérdida de succión, residuos o líquido que salen por el escape o ruidos anormales del motor. Deje de usar la aspiradora inmediatamente si observa estas señales.
- No deje la aspiradora enchufada cuando no se esté utilizando.
- No continúe usando la aspiradora cuando el flotador haya cortado la succión.
- No utilice la aspiradora en áreas con gases inflamables, vapores inflamables o polvo explosivo en el aire. Las chispas generadas dentro del motor pueden incendiar los materiales inflamables suspendidos en el aire. Los gases inflamables y los vapores inflamables incluyen: líquido encendedor, limpiadores tipo solvente, pinturas a base de aceite, gasolina, alcohol o rociadores tipo aerosol. Los polvos inflamables incluyen: polvo de carbón, polvo de magnesio, polvo de aluminio, polvo de grano de cereal o pólvora.
- No recoja con la aspiradora polvos explosivos, líquidos inflamables ni cenizas calientes.
- No use la aspiradora como un rociador.

▲ ADVERTENCIA: Para reducir el riesgo de descargas eléctricas o lesiones:

- No exponga la aspiradora a la lluvia ni deje que entre líquido en el compartimiento del motor. Almacene la aspiradora en un lugar interior.
- No maneje el enchufe, el interruptor o la aspiradora con las manos mojadas.
- No haga servicio de ajustes y reparaciones de la aspiradora mientras esté enchufada. Si la aspiradora no está funcionando como debería, le faltan piezas, se ha caído, está dañada, se ha dejado a la intemperie o se ha caído al agua, devuélvala a un centro de servicio independiente o llame a servicio al cliente.
- Cuando utilice un cordón de extensión, utilice únicamente cordones con capacidad nominal para uso a la intemperie que estén en buenas condiciones. No deje que la conexión entre en contacto con líquido.
- No recoja con la aspiradora materiales tóxicos, para reducir el riesgo de inhalar los vapores o el polvo.

Para reducir el riesgo de sacudidas eléctricas, este aparato electrodoméstico tiene un enchufe polarizado (un terminal es más ancho que el otro, excepto en los modelos de 230 V). Este enchufe entrará en un tomacorriente polarizado solamente de una manera. Si el enchufe no entra por completo en el tomacorriente, déle la vuelta. Si sigue sin entrar, póngase en contacto con un electricista competente para instalar el tomacorriente adecuado. No haga ningún tipo de cambio en el enchufe.

Después de enchufar el cordón de energía en el tomacorriente, encienda la unidad empujando el interruptor de la posición "O" a la posición "I". Los símbolos utilizados en el accionador del interruptor son los símbolos internacionales de "encendido y apagado":



○ = APAGADO | = ENCENDIDO

Funcionamiento (continuación)

Familiarícese con los accesorios que se incluyen con la aspiradora. Cada accesorio puede usarse de diversas maneras para aspirar y soplar residuos. A continuación hay una lista de los accesorios y de sus usos.

Dispositivo de bandeja para polvo: Permite recoger los residuos sin retirar la boquilla para auto ni la manguera.

Boquilla para auto: Boquilla para recoger materiales secos en interiores de auto y en la mayoría de limpiezas de tapicería.

Manguera: Proporciona transferencia de capacidad de aspiración o soplado al lugar de trabajo. Proporciona los medios para acoplar los tubos extensores y las boquillas.

Recogida de materiales secos con la aspiradora

1. El filtro debe estar siempre en la posición correcta para reducir el riesgo de fugas y posibles daños a la aspiradora.
2. Al utilizar la aspiradora para recoger polvo muy fino, será necesario que usted vacíe el tambor y limpie el filtro a intervalos más frecuentes para mantener un rendimiento óptimo.

NOTA: Se necesita un filtro seco para recoger material seco. Si utiliza la aspiradora para recoger polvo cuando el filtro está mojado, éste se atascará rápidamente y será muy difícil limpiarlo.

Recogida de líquidos con la aspiradora

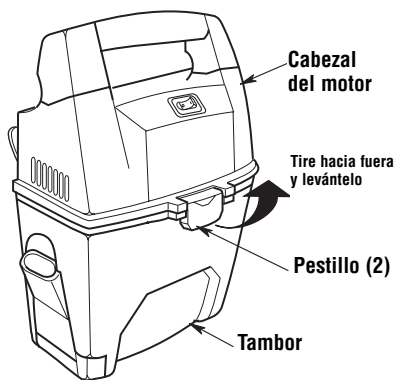
1. Al recoger pequeñas cantidades de líquido se podrá dejar puesto el filtro.
2. Al recoger grandes cantidades de líquido recomendamos quitar el filtro. Si no se quita el filtro, éste se saturará y podrá aparecer niebla en el escape.

⚠ ADVERTENCIA: No utilice la aspiradora sin la jaula del filtro y el flotador, ya que estas piezas evitan que entre líquido en el impulsor y dañe el motor.

3. Cuando el líquido que se encuentre en el tambor alcance un nivel predeterminado, el mecanismo del flotador subirá automáticamente para cortar el flujo de aire. Usted sabrá que el flotador ha subido porque la succión parará y el ruido del motor alcanzará una frecuencia más alta, debido al aumento de la velocidad del motor. Cuando esto suceda, apague la aspiradora, desenchufe el cordón de energía y vacíe el tambor.
4. Después de utilizar la aspiradora para recoger líquidos, deje que el filtro se seque para reducir el riesgo de que se forme moho y el filtro se dañe.

Vaciado del tambor

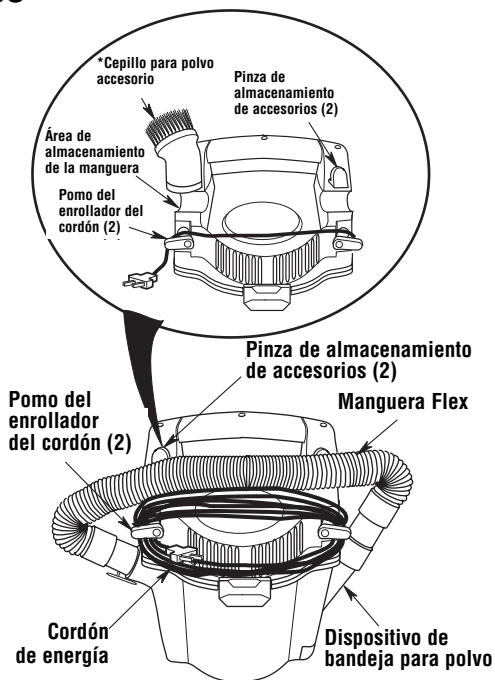
1. Para quitar la tapa con el fin de vaciar el tambor para polvo de su contenido, simplemente levante los dos pestillos del tambor ubicados a ambos lados de la aspiradora, levante el cabezal del motor hasta separarlo del tambor y déjelo a un lado.



2. Tire el contenido del tambor en el recipiente de eliminación de residuos adecuado.

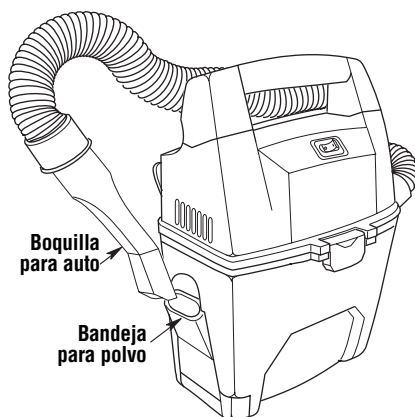
Área de almacenamiento del cordón, la manguera y los accesorios

1. La aspiradora tiene una conveniente área para almacenar el cordón de energía y la manguera de aspiración.
2. Enrolle el cordón de energía alrededor de la parte de arriba de los pomos del enrollador del cordón ubicados en la parte trasera de la aspiradora y sujete el extremo del enchufe al cordón.
3. Enrolle la manguera sobre la parte de arriba de la aspiradora de la manera que se muestra en la ilustración y asegúrela debajo del asa.
4. Para almacenar accesorios adicionales, deslice el accesorio (vendido por separado) sobre las pinzas de almacenamiento de accesorios ubicadas en la parte trasera del asa de la aspiradora.



* El cepillo para polvo accesorio se vende por separado.

5. La boquilla para auto se conecta a la manguera y se almacena en el dispositivo de bandeja para polvo ubicado en un lado del tambor (vea la imagen de la derecha para averiguar la orientación correcta de la boquilla para auto).



▲ ADVERTENCIA: Para garantizar la **SEGURIDAD y CONFIABILIDAD del producto, las reparaciones y los ajustes deben realizarlos Centros de Servicio autorizados, usando siempre piezas de repuesto RIDGID.**

Limpieza del filtro de la aspiradora

▲ ADVERTENCIA: Para reducir el riesgo de lesiones debidas a un arranque accidental, **desenchufe el cordón de energía antes de cambiar o limpiar el filtro o la almohadilla de espuma.**

NOTA: Este filtro está hecho de papel de alta calidad diseñado para detener partículas de polvo muy pequeñas. El filtro se puede usar para recoger material seco o pequeñas cantidades de líquido. Maneje el filtro cuidadosamente al quitarlo para limpiarlo o al instalarlo. Es posible que se produzcan arrugas en los pliegues del filtro, pero dichas arrugas no afectarán el funcionamiento del filtro.

Remoción del filtro

Consulte la sección de este manual "Remoción e instalación del filtro" en la página 17.

IMPORTANTE: Para evitar daños a la rueda del soplador y al motor, vuelva a instalar siempre el filtro antes de usar la aspiradora para recoger material seco.

Limpieza de un filtro seco

NOTA: Para lograr una limpieza óptima con el fin de eliminar el polvo acumulado en el filtro, limpie el filtro en un área abierta. La limpieza del filtro DEBE realizarse al aire libre y no en el interior de una vivienda.

1. Se puede lograr una extracción parcial de residuos, sin quitar el filtro de la aspiradora, golpeando la parte superior del asa con la mano mientras la aspiradora está apagada.
2. Quite el filtro de la aspiradora. Golpee suavemente el filtro contra la pared interior del tambor para polvo. Los residuos se soltarán y caerán.
3. Para limpiar minuciosamente el filtro seco con polvo fino (sin residuos), puede hacer pasar agua a través del filtro tal como se describe bajo "Limpieza de un filtro mojado".

Limpieza de un filtro mojado

Después de quitar el filtro, haga pasar agua a través de él usando una manguera o desde una espita. Tenga cuidado de que la presión del agua procedente de la manguera no sea tan fuerte como para dañar el filtro.

IMPORTANTE: Después de limpiar el filtro, compruebe si éste tiene desgarraduras o agujeros pequeños. No use un filtro que tenga agujeros o desgarraduras. Incluso un agujero pequeño puede hacer que salga mucho polvo de la aspiradora.

IMPORTANTE: Si el filtro esta dañado, **Cámbielo inmediatamente.**

Mantenimiento (continuación)

Instalación

Consulte la sección de este manual "Remoción e instalación del filtro" en la página 17.

Deje que el filtro se seque antes de reinstalarlo y almacenar la aspiradora o recoger residuos secos.

Limpieza y desinfección de la aspiradora para mojado/seco

Para mantener el mejor aspecto posible de la aspiradora para mojado/seco, limpie su exterior con un paño humedecido con agua templada y un jabón suave.

Para limpiar el tambor:

1. Vacíe de residuos el tambor.
2. Lave a fondo el tambor con agua templada y un jabón suave.
3. Limpie el tambor con un paño seco.

Antes de un almacenamiento prolongado o según sea necesario (por ejemplo, si se recogen aguas residuales), se debe desinfectar el tambor.

Para desinfectar el tambor:

1. Eche 1 galón de agua y 1 cucharadita de blanqueador de cloro en el tambor.
2. Deje que la solución repose durante 20 minutos y agítela cuidadosamente cada pocos minutos, asegurándose de mojar todas las superficies interiores del tambor.
3. Vacíe el tambor después de 20 minutos. Enjuáguelo con agua hasta que el olor a blanqueador desaparezca. Deje que el tambor se seque completamente antes de sellar el motor sobre el tambor.

Mantenimiento del cordón

Cuando se haya completado la aspiración, desenchufe el cordón y enróllelo alrededor de los pomos del enrollador del cordón. Si el cordón de energía está dañado, debe ser reemplazado por el fabricante o su agente de servicio o por personal similarmente calificado, para reducir el riesgo de accidente.

Almacenamiento

Antes de almacenar la aspiradora, se debe vaciar y limpiar el tambor para polvo. El cordón se debe enrollar alrededor de los pomos del enrollador del cordón y la manguera se debe almacenar tal y como se describe en este manual. Los accesorios se deben mantener en la misma área que la aspiradora para que estén al alcance de la mano cuando se necesiten. La aspiradora se debe almacenar en interiores.

Piezas de repuesto

Aspiradora para mojado / seco de 3 galones ee.uu. / 11 litros


Número de modelo WD30500/WD3050MO

Las piezas RIDGID se encuentran disponibles en línea conectándose a www.ridgidparts.com

Pida siempre por número de pieza —no por número de clave

⚠ ADVERTENCIA

SERVICIO DE AJUSTES Y REPARACIONES DE UNA ASPIRADORA PARA MOJADO/SECO CON AISLAMIENTO DOBLE

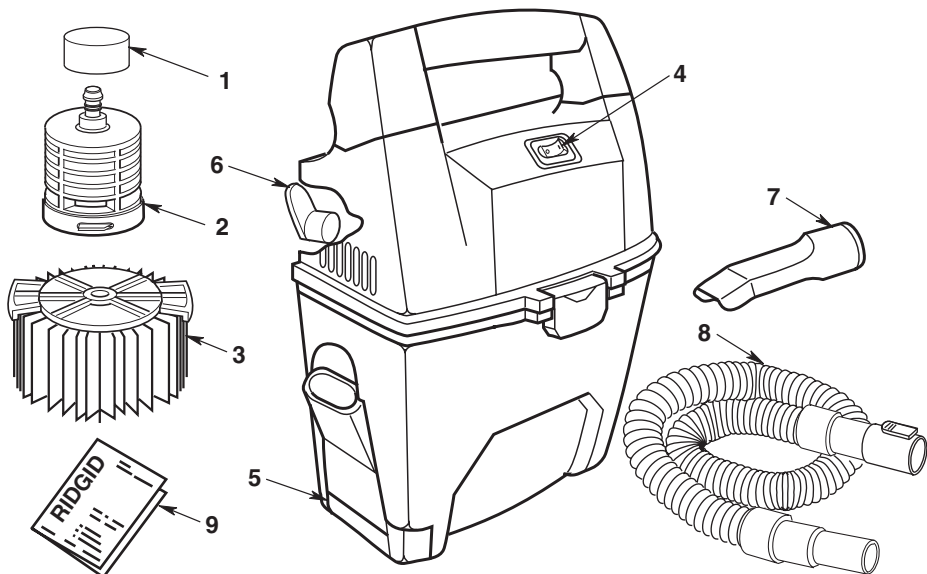
En una aspiradora para mojado/seco con aislamiento doble se proporcionan dos sistemas de aislamiento en vez de conexión a tierra. No se proporciona ningún medio de conexión a tierra en un aparato electrodoméstico con aislamiento doble, ni se debe añadir a éste ningún medio de conexión a tierra. El servicio de ajustes y reparaciones de una aspiradora para mojado/seco con aislamiento doble requiere extremado cuidado y conocimiento del sistema, y debe ser realizado únicamente por personal de servicio competente. Las piezas de repuesto para la aspiradora para mojado/seco con aislamiento doble deben ser idénticas a las piezas que reemplazan. La aspiradora para mojado/seco con aislamiento doble está marcada con las palabras "DOUBLE INSULATED" (con aislamiento doble) y puede que el símbolo  (un cuadrado dentro de un cuadrado) también esté marcado en los aparatos.

Para reducir el riesgo de lesiones por causa de una descarga eléctrica, desenchufe el cordón de energía antes de realizar servicio de ajustes y reparaciones de las piezas eléctricas de la aspiradora para mojado/seco.

No. de clave	No. de pieza	Descripción
1	831388	Flotador
2	818977-1	Jaula del filtro
3	VF3500	† Filtro
4	832086	Interruptor
5	833165	Bandeja para polvo

No. de clave	No. de pieza	Descripción
6	833161	Pomo del enrollador del cordón
7	VT1781	Boquilla para auto
8	831327	Ensamblaje de manguera (Flex)
9	SP6747	Manual del usuario

† Estas piezas de repuesto se encuentran disponibles en el establecimiento donde compró la aspiradora.



RIDGID®



- **Qué está cubierto**

Se garantiza que las aspiradoras para mojado/seco RIDGID® están libres de defectos de fabricación y de materiales.

- **Cuánto dura la cobertura**

Esta garantía dura toda la vida de las aspiradoras para mojado/seco RIDGID®.

- **Cómo puede obtener servicio**

Para obtener el beneficio de esta garantía, envíe el producto completo mediante transporte prepago a RIDGE TOOL COMPANY, Elyria, Ohio, o a cualquier CENTRO DE SERVICIO INDEPENDIENTE RIDGID®. Las llaves para tubos y otras herramientas de mano deben devolverse al establecimiento de compra.

- **Qué haremos para corregir los problemas**

Las aspiradoras para mojado/seco garantizadas serán reparadas o reemplazadas, a opción de Ridge Tool Company, y serán devueltas sin cargo; o si después de tres intentos de reparar o reemplazar la aspiradora para mojado/seco durante el período de garantía ésta aún presenta defectos, usted puede optar por recibir un reembolso completo de su precio de compra.

- **Qué no está cubierto**

Las averías debidas a uso incorrecto, abuso o desgaste por el uso normal no están cubiertas por esta garantía. **RIDGE TOOL NO SERÁ RESPONSABLE DE NINGÚN DAÑO FORTUITO NI EMERGENTE.**

- **Cómo se relaciona la ley local con la garantía**

Algunos estados no permiten la exclusión o limitación de los daños fortuitos o emergentes, por lo que es posible que la limitación o exclusión que antecede no tenga aplicación en su caso. Esta garantía le confiere a usted derechos específicos y es posible que también tenga otros derechos, que varían de un estado a otro, una provincia a otra o un país a otro.

- **Ninguna otra garantía expresa tiene aplicación**

Esta GARANTÍA COMPLETA DE POR VIDA es la garantía única y exclusiva de las aspiradoras para mojado/seco RIDGID®. Ningún empleado, agente, distribuidor u otra persona está autorizado a alterar esta garantía ni a dar ninguna otra garantía en nombre de Ridge Tool Company.

No. de existencias **WD3050/WD3050M**

No. de modelo **WD30500/WD3050M0**

Número de serie _____

Los números de modelo y de serie se pueden encontrar en la etiqueta ubicada cerca de la entrada del cordón de la aspiradora. Debe anotar tanto el número de modelo como el de serie en un lugar seguro para uso futuro.

¿PREGUNTAS O COMENTARIOS? COMUNÍQUESE CON NOSOTROS EN

1-800-4-RIDGID (1-800-474-3443) desde los EE.UU. y Canadá

01-800-701-9811 desde México

www.ridgidvac.com

Por favor, tenga a mano su número de modelo y número de serie cuando llame.



EMERSON™
Professional Tools

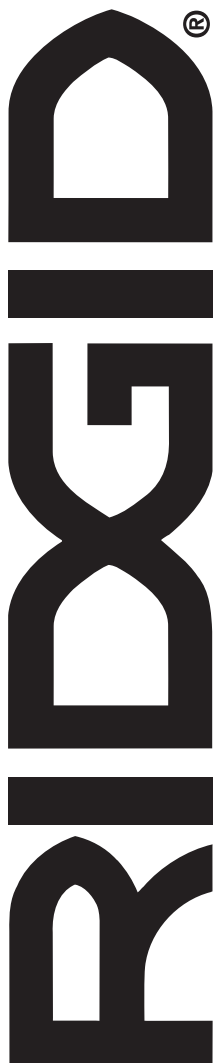
Emerson Tool Company
Una División de
Emerson Electric Co.

© 2010 Emerson

No. de pieza SP6747-1

No. de formulario SP6747-1

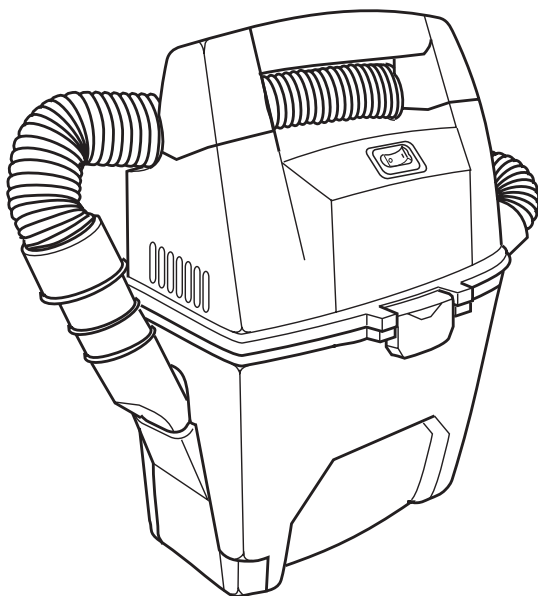
Impreso en México 06/10



MODE D'EMPLOI

ASPIRATEUR DE LIQUIDES ET
DE POUSSIÈRES DE 3 GALLONS
DES ÉTATS-UNIS / 11 LITRES

WD30500/WD3050M0



EN CAS DE QUESTIONS OU POUR OBTENIR DES INFORMATIONS,
VEUILLEZ NOUS CONTACTER AU :

1-800-4-RIDGID (1-800-474-3443) depuis les États-Unis et le Canada
01-800-701-9811 depuis le Mexique

www.ridgidvac.com

⚠ AVERTISSEMENT :

Pour réduire le risque de blessure, l'utilisateur doit lire et comprendre le mode d'emploi avant d'utiliser ce produit.

Merci d'avoir acheté un produit RIDGID.

CONSERVER CE MANUEL POUR RÉFÉRENCE FUTURE

Table des matières

Sujet	Page	Sujet	Page
Instructions importantes relatives à la sécurité	2	Entretien	9
Introduction	4	Nettoyage du filtre de l'aspirateur	9
Inspection du contenu du carton	4	Enlèvement du filtre	9
Apprenez à connaître votre aspirateur	4	Nettoyage d'un filtre sec	9
Retrait et installation du filtre	5	Nettoyage d'un filtre humide	9
Fonctionnement	6	Installation	10
Aspiration de matériaux secs	7	Nettoyage et désinfection de l'aspirateur de liquides et de poussières	10
Aspiration de liquides	7	Entretien du cordon d'alimentation	10
Vidage du tambour à poussière	7	Rangement	10
Rangement du cordon, du flexible et des accessoires	8	Pièces de rechange	11
		Garantie	12

INSTRUCTIONS IMPORTANTES RELATIVES À LA SÉCURITÉ

La sécurité est une combinaison de faire preuve de bon sens, rester vigilant et savoir comment votre aspirateur de liquides et de poussières (« aspirateur ») fonctionne.

Termes de signalisation de questions de sécurité

▲ DANGER : indique une situation dangereuse qui, si elle n'est pas évitée, causera la mort ou une blessure grave.

▲ AVERTISSEMENT : indique une situation dangereuse qui, si elle n'est pas évitée, risque de causer la mort ou une blessure grave.

▲ MISE EN GARDE : indique une situation dangereuse qui, si elle n'est pas évitée, pourrait causer une blessure légère ou modérée.

Prenez toujours des précautions élémentaires, notamment les précautions suivantes, lorsque vous utilisez votre aspirateur de liquides et de poussières :

▲ AVERTISSEMENT

– Pour réduire le risque d'incendie, de choc électrique ou de blessure :

- Lisez et comprenez ce manuel et toutes les étiquettes placées sur l'aspirateur avant de mettre celui-ci en marche.
- N'utilisez l'aspirateur que comme cela est décrit dans ce mode d'emploi.
- Ne laissez pas en marche pendant que vous êtes absent – vous vous risqueriez de manquer des signes importants indiquant un fonctionnement anormal, comme une perte de puissance d'aspiration, la sortie de débris ou de liquides par la bouche de soufflage d'air ou des bruits anormaux en provenance du moteur. Cessez immédiatement d'utiliser l'aspirateur si vous constatez de tels signes.
- Ne laissez pas l'aspirateur sans surveillance quand il est branché dans une prise de courant. Débranchez-le de la prise quand il n'est pas utilisé et avant toute opération de maintenance.

- Des étincelles à l'intérieur du moteur risquent de mettre feu à des vapeurs ou poussières inflammables. Pour réduire le risque d'incendie ou d'explosion : n'utilisez pas à proximité de gaz ou de liquides inflammables ou combustibles, ou de poussières explosives, comme de l'essence automobile ou d'autres fiouls, de l'essence à briquet, des produits de nettoyage, de la peinture à l'huile, du gaz naturel, de l'hydrogène, de la poussière de charbon, de la poussière de magnésium, de la poussière d'aluminium, de la poussière de céréales ou de la poudre.
- N'aspirez jamais de poussières de plaques de plâtre, de suie ou de cendres de cheminée froides lorsqu'un filtre pour aspirateur de liquides et de poussières standard. Il s'agit de poussières très fines qui risqueraient d'être projetées à nouveau dans l'air ambiant. Utilisez un filtre à poussières fines à la place.
- Pour réduire le risque d'inhalation de vapeurs toxiques, n'aspirez pas de matériaux toxiques ou dangereux, et n'utilisez pas à proximité de tels matériaux.
- Pour réduire le risque de choc électrique, n'exposez pas à la pluie et empêchez l'entrée de liquides dans le compartiment du moteur. Rangez à l'intérieur.
- Ne laissez pas les enfants se servir de l'aspirateur comme d'un jouet. Il faut surveiller de très près quand il est utilisé par des enfants ou à proximité d'enfants.
- N'utilisez pas avec un filtre déchiré ou sans avoir installé de filtre, sauf quand vous aspirez des liquides, comme cela est décrit dans ce mode d'emploi. Des débris secs capturés par la roue risquent d'endommager le moteur ou d'être expulsés à nouveau dans l'air ambiant.
- Éteignez l'aspirateur avant de le débrancher.

- Pour réduire le risque de blessure pouvant être causée par une mise en marche accidentelle, débranchez le cordon d'alimentation avant de changer le filtre ou de le nettoyer.
- Ne débranchez pas en tirant sur le cordon. Pour débrancher, saisissez la fiche – pas le cordon.
- N'utilisez pas l'aspirateur avec une fiche, un cordon ou un autre composant endommagé. Si votre aspirateur ne fonctionne pas comme il faut, s'il manque des pièces, s'il quelqu'un l'a laissé tomber, s'il est endommagé, s'il a été laissé à l'extérieur ou s'il est tombé dans de l'eau, téléphonez au service d'assistance à la clientèle.
- Ne tirez pas l'aspirateur et ne le portez pas par son cordon, n'utilisez pas le cordon pour servir de poignée, ne fermez pas une porte sur le cordon et ne laissez pas le cordon tendu passer sur des bords ou des coins tranchants. Maintenez le cordon à distance des surfaces chauffées.
- Ne touchez pas la fiche, l'interrupteur ou l'aspirateur avec des mains mouillées.
- Utilisez seulement des cordons de rallonge qui sont conçus pour emploi à l'extérieur. Les cordons de rallonge en mauvais état ou trop petits en termes de calibre des fils peuvent poser des risques d'incendie et de choc électrique. Pour réduire le risque de tels dangers, inspectez les cordons pour vous assurer qu'ils sont en bon état et que le liquide n'entre pas en contact avec le raccordement. N'utilisez pas de cordons de rallonge dont les conducteurs ont un calibre inférieur à 16 AWG. Pour réduire la perte d'énergie, utilisez un cordon de rallonge de calibre 14 s'il mesure entre 7,5 et 15 mètres de long, ou de calibre 12 s'il mesure 15 mètres de long ou plus.
- Cet aspirateur de liquides et de poussières a une double isolation, ce qui élimine le besoin d'un système de mise à la terre séparé. Utilisez seulement des pièces de rechange identiques. Lisez les instructions concernant l'entretien des aspirateurs de liquides et de poussières à double isolation avant toute opération d'entretien.
- Ne mettez aucun objet dans les orifices de ventilation. N'aspirez pas quand de quelconques orifices de ventilation sont obstrués ; assurez-vous que ces orifices ne sont pas bloqués par de la poussière, de la peluche, des cheveux ou de quelconques objets pouvant réduire la circulation de l'air.
- Gardez les cheveux, les vêtements flottants, les doigts et toutes les parties du corps à distance des orifices et des pièces mobiles.
- Pour réduire le risque de chute, faites très attention lorsque vous utilisez l'aspirateur dans des escaliers.
- Pour réduire le risque de blessure ou le risque d'endommagement de l'aspirateur, n'utilisez que des accessoires recommandés par Ridgid.
- Pour réduire le risque de blessure pour les yeux, portez des lunettes de sécurité. L'utilisation de toute soufflante ou de tout aspirateur utilitaire peut toujours causer la projection de corps étrangers dans les yeux, ce qui risque d'entraîner des blessures graves aux yeux.

▲ MISE EN GARDE :

- Pour réduire le risque de perte auditive, portez des protecteurs d'oreilles lorsque vous servez de l'aspirateur pendant plusieurs heures ou quand vous l'utilisez dans un endroit bruyant.
- Portez un masque antipoussières en cas d'utilisation dans un environnement poussiéreux.
- Les décharges statiques sont fréquentes dans les endroits secs ou lorsque l'humidité relative de l'air ambiant est faible. L'aspiration de débris fins avec votre aspirateur peut déposer une charge statique sur le tuyau ou sur l'aspirateur. La meilleure chose à faire pour réduire la fréquence des décharges statiques chez vous ou lorsque vous utilisez cet aspirateur consiste à ajouter de l'humidité dans l'air avec un humidificateur.

Observez les avertissements suivants qui figurent sur le carter du moteur de votre aspirateur :



**DOUBLEMENT ISOLÉ.
MISE À LA TERRE NON NÉCESSAIRE.
POUR L'ENTRETIEN, N'UTILISEZ QUE DES
PIÈCES DE RECHANGE IDENTIQUES.**

▲ AVERTISSEMENT: pour votre propre sécurité, lisez et comprenez le manuel de l'opérateur. Ne laissez jamais l'aspirateur en marche sans surveillance. Ne ramassez pas de cendres chaudes, de charbon ou de matières toxiques, inflammables ou dangereuses. N'utilisez pas à proximité de vapeurs ou de liquides explosifs.

▲ AVERTISSEMENT: pour réduire le risque de choc électrique – n'exposez pas à la pluie – rangez à l'intérieur.

CONSERVER CE MANUEL

Introduction

Cet aspirateur de liquides et de poussières a été conçu pour une utilisation ménagère. Il peut être utilisé de façon non commerciale ou industrielle pour l'aspiration de débris humides ou secs. Sa conception légère lui permet d'être utilisé pour la plupart des travaux ménagers d'aspiration.

Familiarisez-vous avec les fonctions suivantes de ce produit, et lisez le manuel de l'opérateur du début à la fin pour des détails spécifiques quant à l'utilisation de votre nouvel aspirateur de liquides et poussières.

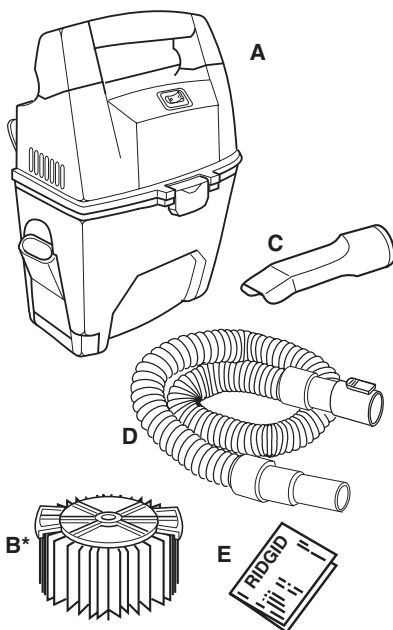
Inspection du contenu du carton

Retirez tous les éléments se trouvant dans la boîte en carton. Inspectez chaque élément en le comparant à la liste incluse dans la boîte en carton. Téléphonnez au 1-800-4-RIDGID (1-800-474-3443) depuis les États-Unis et le Canada, 01-800-701-9811 depuis le Mexique, ou contactez-nous au www.ridgidvac.com si de quelconques éléments sont absents ou endommagés.

Liste du contenu de la boîte en carton

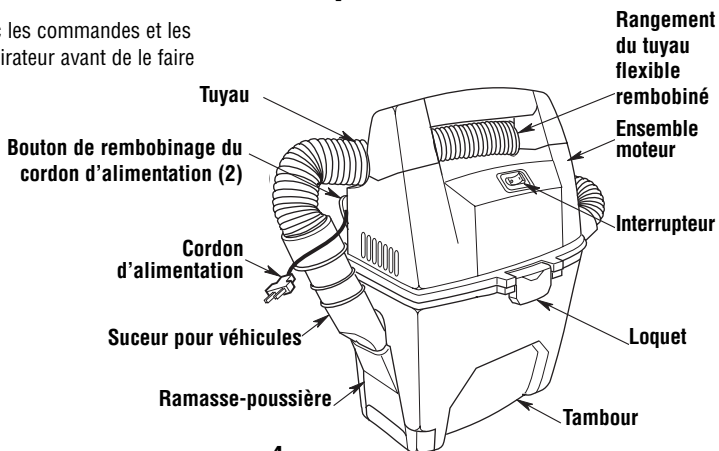
Légende	Description	Qté
A	Aspirateur de liquides et de poussières (3 gallons – É-U).....	1
B*	Filtre.....	1
C	Suceur pour véhicules.....	1
D	Tuyau flexible (assemblé).....	1
E	Mode d'emploi.....	1

* Le filtre a été installé sur l'ensemble moteur en usine.



Apprenez à connaître votre aspirateur

Familiarisez-vous avec les commandes et les fonctions de votre aspirateur avant de le faire fonctionner.



Retrait et installation du filtre

⚠ AVERTISSEMENT : pour votre propre sécurité, ne branchez jamais la fiche dans une prise de courant avant que toutes les étapes d'assemblage ne soient terminées et que vous ayez lu et compris les instructions relatives à la sécurité et au fonctionnement de l'appareil. Ne faites pas fonctionner l'aspirateur si des pièces sont endommagées ou absentes.

Pour retirer l'ensemble moteur :

Saisissez les mécanismes de verrouillage du tambour (un se trouve sur le côté droit et l'autre sur le côté gauche de l'ensemble moteur). Retirez les mécanismes de verrouillage du tambour en tirant dessus doucement. Retirez l'ensemble moteur du tambour en tirant dessus. Placez l'ensemble de couvercle de l'aspirateur sens dessus dessous.

⚠ AVERTISSEMENT : ne faites pas fonctionner sans la cage du filtre et le flotteur étant donné qu'ils empêchent l'entrée de liquide dans la roue et protègent ainsi le moteur contre les dommages pouvant en résulter. Pour le ramassage de matériaux secs, n'utilisez pas l'aspirateur sans que le filtre ne soit à sa place afin de réduire le risque d'endommagement du moteur.

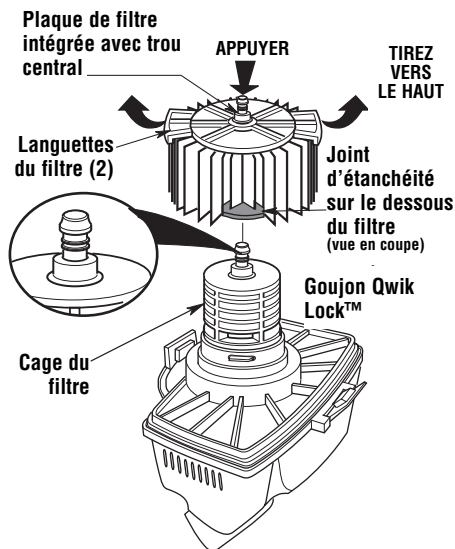
Retrait et installation en cas d'utilisation du goujon Qwik Lock™

Retrait du filtre :

1. Saisissez les deux languettes du filtre Qwik Lock™, une dans chaque main.
2. Placez un pouce sur le goujon Qwik Lock™, qui dépasse de la plaque de filtre intégrée, tirez sur les languettes du filtre et appuyez en même temps sur le goujon.
3. Cette action aura pour effet que le filtre sera relâché de la cage du filtre. Faites glisser le filtre pour le sortir de la cage.

Installation du filtre :

1. Faites glisser délicatement le filtre Qwik Lock™ par-dessus la cage du filtre et appuyez sur le bord extérieur du filtre jusqu'à ce que le joint d'étanchéité en caoutchouc sur le dessous du filtre soit solidement installé autour de la base de la cage du filtre et contre le couvercle.
2. Alignez le petit trou central sur le dessus du filtre au-dessus du goujon Qwik Lock™ sur la cage du filtre. Appuyez fermement sur le dessus du filtre, à proximité du goujon, pour permettre au filtre de s'emboîter sur l'embout sphérique du goujon. Le filtre est maintenant installé.



REMARQUE : si vous n'installez pas correctement le joint d'étanchéité du dessous, il est possible que des débris passent à côté du filtre.

Fonctionnement

▲ AVERTISSEMENT : pour réduire le risque d'incendie, d'explosion ou d'endommagement de l'aspirateur :

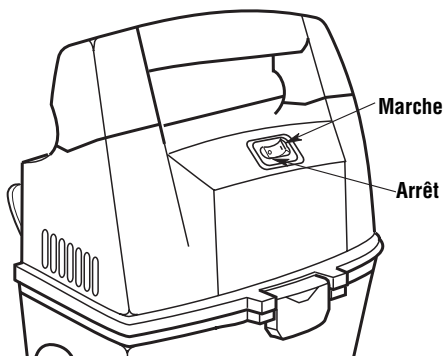
- Ne laissez pas en marche pendant que vous êtes absent – vous pourriez manquer des signes importants indiquant un fonctionnement anormal, comme une perte de puissance d'aspiration, la sortie de débris ou de liquides par la bouche de soufflage d'air ou des bruits anormaux en provenance du moteur. Cessez immédiatement d'utiliser l'aspirateur si vous constatez de tels signes.
- Ne laissez pas l'aspirateur branché lorsque vous ne l'utilisez pas.
- Ne continuez pas à utiliser l'aspirateur lorsque le flotteur a coupé l'aspiration.
- N'utilisez pas l'aspirateur à des endroits où il y a des gaz ou vapeurs inflammables, ou des poussières explosives, dans l'air. Les étincelles à l'intérieur du moteur risqueraient de mettre feu à des matières inflammables en suspension dans l'air. Les gaz et vapeurs inflammables comprennent : essence à briquet, produits de nettoyage du type solvant, peinture à base d'huile, essence, alcool ou aérosols. Les poussières inflammables comprennent : charbon, magnésium, aluminium, grains ou poudre à canon.
- N'aspirez pas de poussières explosives, de liquides inflammables ou de cendres chaudes.
- Ne vous servez pas de l'aspirateur comme pulvérisateur.

▲ AVERTISSEMENT : pour réduire le risque de choc électrique ou de blessure :

- N'exposez pas à la pluie, et ne laissez pas de liquides pénétrer dans le compartiment du moteur. Rangez à l'intérieur.
- Ne touchez pas la fiche de branchement, l'interrupteur ou l'aspirateur si vous avez les mains mouillées.
- N'effectuez pas d'opération de maintenance pendant que l'aspirateur est branché. Si votre aspirateur ne fonctionne pas comme il devrait, si des pièces sont manquantes, si vous l'avez laissé tomber, s'il est endommagé, s'il a été laissé à l'extérieur ou s'il a été immergé dans de l'eau, rappez-le dans un centre de réparation indépendant ou téléphonez au service d'assistance à la clientèle.
- Lorsque vous utilisez un cordon de rallonge, n'utilisez qu'un cordon prévu pour emploi à l'extérieur et en bon état. Ne laissez pas la connexion entrer en contact avec des liquides.
- N'aspirez pas de matières toxiques afin de réduire le risque d'inhalation des vapeurs ou des poussières dangereuses.

Pour réduire le risque de choc électrique, cet appareil est muni d'une fiche polarisée (une lame est plus large que l'autre, à l'exception du modèle de 230 volts). La fiche n'entrera dans une prise polarisée que d'une seule manière. Inversez la fiche si elle n'entre pas complètement dans la prise. Si elle n'entre toujours pas, prendre contact avec un électricien qualifié pour installer une prise de courant appropriée. Ne pas altérer la fiche de quelque manière que ce soit.

Après avoir branché le cordon d'alimentation dans la prise de courant, mettez l'appareil sous tension en appuyant sur l'interrupteur pour le faire passer de la position « 0 » à la position « I ». Les deux symboles internationaux qui figurent sur l'interrupteur indiquent, respectivement, la position de marche et la position d'arrêt de votre aspirateur:



○ = ARRÊT | = MARCHÉ

Fonctionnement (suite)

Il faut bien se familiariser avec les accessoires qui ont été inclus avec cet aspirateur. Chaque accessoire peut être utilisé de façons multiples pour l'aspiration ou le soufflage de débris. Voici une liste des accessoires et des divers moyens de les utiliser :

Ramasse-poussière – Permet de ramasser les débris sans avoir besoin de retirer le suceur pour automobile et le tuyau flexible.

Suceur pour véhicules – Suceur pour aspirer les matériaux secs lors du nettoyage des intérieurs et de la plupart des garnitures de véhicules.

Tuyau – Permet de transférer la capacité d'aspirer ou de souffler sur le site de travail. Fournit le moyen de connecter des baguettes de rallonge et des suceurs.

Aspiration de matériaux secs

1. Le filtre doit toujours être dans la position correcte afin d'éviter les fuites et l'endommagement possible de l'aspirateur.
2. Lors de l'utilisation de l'aspirateur pour ramasser des poussières très fines, il sera nécessaire de vider le tambour et de nettoyer le filtre à intervalles plus fréquents afin de continuer à bénéficier de la performance maximale de l'aspirateur.

REMARQUE : un filtre sec est nécessaire pour ramasser des matériaux secs. Si l'aspirateur est employé pour ramasser de la poussière alors que le filtre est humide, le filtre se bouchera très vite et il sera ensuite très difficile à nettoyer.

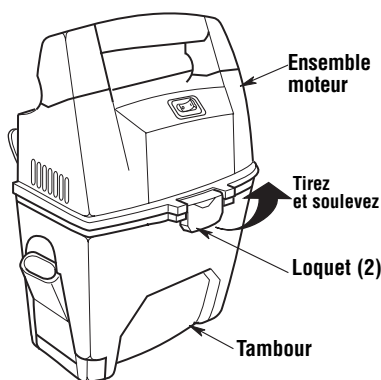
Aspiration de liquides

1. Lors de l'aspiration de faibles volumes de liquide, le filtre peut être laissé à sa place.
2. Lors de l'aspiration de grands volumes de liquide, nous recommandons de retirer le filtre. Sinon, il se saturera et on verra peut-être apparaître alors un peu de brume sur l'orifice d'échappement.

3. Lorsque le liquide aspiré atteint un niveau prédéterminé dans le tambour, le flotteur s'élèvera automatiquement afin de couper la circulation de l'air. Vous saurez quand le flotteur sera en position élevée parce que l'aspiration cessera et le bruit du moteur deviendra plus aigu en raison de la vitesse accrue du moteur. Lorsque ceci se produit, fermer l'aspirateur, débrancher le cordon électrique et vider le tambour.
4. Après que l'aspirateur aura été utilisé pour aspirer des liquides, il faudra sécher le filtre pour éviter la formation possible de moisissures et pour ne pas endommager le filtre.

Vidage du tambour à poussière

1. Pour retirer le couvercle afin de vider le contenu du tambour à poussière, il vous suffit de soulever les deux mécanismes de verrouillage du tambour, puis de soulever l'ensemble moteur afin de le séparer du tambour à poussière et de le mettre de côté.

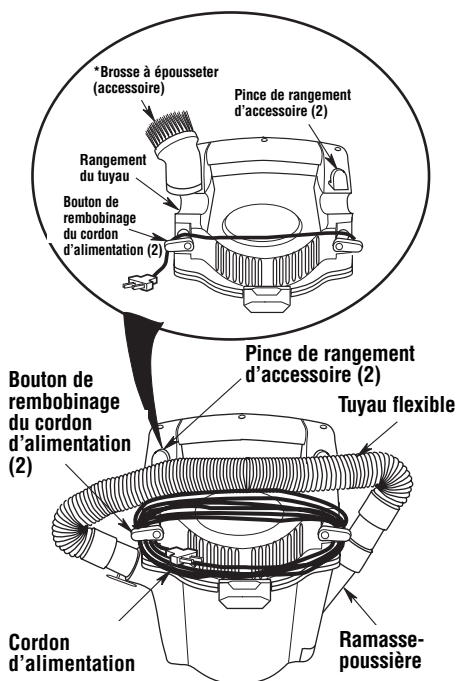


2. Verser le contenu du tambour dans un récipient à ordures approprié.

⚠ AVERTISSEMENT : ne faites pas fonctionner sans la cage du filtre et le flotteur étant donné qu'ils empêchent l'entrée de liquide dans la roue et protègent ainsi le moteur contre les dommages pouvant en résulter.

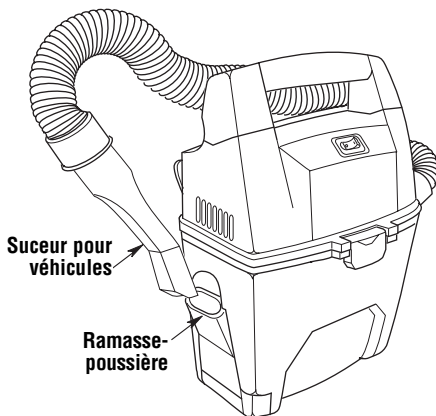
Rangement du cordon, du flexible et des accessoires –

1. Votre aspirateur dispose d'un endroit pratique pour ranger votre cordon d'alimentation électrique et le flexible de votre aspirateur.
2. Enroulez le cordon d'alimentation autour du haut des boutons de rembobinage du cordon à l'arrière de l'aspirateur et attachez le bout de la fiche au cordon.
3. Enroulez le tuyau flexible au-dessus du dessus de l'aspirateur comme illustré et assujettissez-le au-dessous de la poignée.
4. Pour pouvoir ranger un autre accessoire, faites glisser l'accessoire (vendu séparément) par-dessus les pinces de rangement d'accessoires situées à l'arrière de la poignée de l'aspirateur.



* Brosse à épousseter vendue séparément

5. Le suceur pour automobile est attaché au tuyau flexible et rangé dans l'ouverture du ramasse-poussière situé sur le côté du tambour (voir l'image à droite pour déterminer l'orientation correcte du suceur pour automobile).



▲ AVERTISSEMENT : pour assurer la **SÉCURITÉ** et la **FIABILITÉ** du produit, les réparations et réglages doivent être effectués par des centres agréés de service après-vente en utilisant toujours des pièces de rechange **RIGID**.

Nettoyage du filtre de l'aspirateur

▲ AVERTISSEMENT : pour réduire le risque de blessure en raison d'une mise en marche accidentelle, débranchez le cordon d'alimentation avant de remplacer ou de nettoyer le filtre ou le coussinet en mousse.

REMARQUE : le filtre est fait de papier de qualité élevée conçu pour intercepter les très petites particules de poussière. Le filtre peut être utilisé pour l'aspiration de faibles volumes de liquides ou pour l'aspiration de poussières. Manipuler le filtre avec précaution lors de son nettoyage ou de son installation. Les plis du filtre peuvent être froissés pendant l'installation, mais cela n'aura aucune influence sur la performance du filtre.

Enlèvement du filtre

Référez-vous à la section de la page 5, « Retrait et installation du filtre », de ce mode d'emploi.

IMPORTANT : pour réduire le risque d'endommager le moteur et la roue de la soufflerie, toujours réinstaller le filtre avant d'utiliser l'aspirateur pour ramasser des matériaux secs.

Nettoyage d'un filtre sec

REMARQUE : pour obtenir les meilleurs résultats lors du nettoyage après l'accumulation de poussière, nettoyer le filtre dans un endroit non clos. Le nettoyage **DOIT** être effectué à l'extérieur – pas dans des locaux d'habitation.

1. Le retrait de certains débris secs peut être accompli sans enlever le filtre de l'aspirateur. Donner simplement un coup avec la main sur la partie supérieure de la poignée pendant que l'aspirateur est à l'arrêt.
2. Retirer le filtre de l'aspirateur. Tapoter doucement le filtre contre la paroi intérieure du tambour à poussière. Les débris se détacheront et tomberont.
3. Pour un nettoyage complet d'un filtre sec couvert de particules fines (pas de débris), il est conseillé de placer le filtre sous un robinet comme indiqué à la rubrique « Nettoyage d'un filtre humide ».

Nettoyage d'un filtre humide

Une fois le filtre retiré, faites couler de l'eau au travers du filtre à l'aide d'un tuyau d'arrosage ou d'un robinet. Veillez à ce que la pression de l'eau sortant du tuyau d'arrosage ne soit pas si forte qu'elle pourrait endommager le filtre.

IMPORTANT : inspecter le filtre après le nettoyage pour s'assurer qu'il n'est pas déchiré ou troué. Ne pas utiliser un filtre déchiré ou troué. Même un petit trou peut permettre à beaucoup de poussière de sortir de l'aspirateur.

IMPORTANT : remplacez votre filtre immédiatement s'il est endommagé ou usé.

Entretien (suite)

Installation

Référez-vous à la section de la page 5, « Retrait et installation du filtre », de ce mode d'emploi.

Laissez le filtre sécher avant de le réinstaller et de ranger l'aspirateur ou de ramasser des débris secs.

Nettoyage et désinfection de l'aspirateur de liquides et de poussières

Pour conserver l'esthétique optimale de votre aspirateur de poussières et de liquides, nettoyez la surface extérieure de l'aspirateur à l'aide d'un chiffon imbibé d'eau tiède savonneuse.

Procédure de nettoyage du tambour :

1. Vider les débris.
2. Nettoyez soigneusement le tambour à poussière à l'aide d'un savon doux et d'eau tiède.
3. Essuyer avec un chiffon sec.

Avant de ranger l'aspirateur pour une période prolongée, ou dans les cas nécessaires (par exemple après l'aspiration d'eaux usées), vous devez désinfecter le tambour.

Pour désinfecter le tambour :

1. Versez un gallon (presque 4 litres) d'eau et une cuillerée à thé de produit à blanchir à l'eau de javel dans le tambour.
2. Laissez la solution agir pendant 20 minutes, en remuant doucement de temps à autre pour vous assurer que toutes les surfaces du tambour restent humides.
3. Videz le tambour au bout de 20 minutes. Rincez à l'eau jusqu'à ce que l'odeur d'eau de javel ait disparu. Laissez sécher le tambour complètement avant de sceller le moteur sur le tambour.

Entretien du cordon d'alimentation

Après avoir fini de passer l'aspirateur, débranchez le cordon et enroulez-le autour des ergots prévus à cet effet. Si le cordon est endommagé, il doit être remplacé par le fabricant ou son représentant, ou par une autre personne ayant les compétences techniques nécessaires, afin de réduire le risque d'accident.

Rangement

Avant de ranger votre aspirateur, vous devez vider et nettoyer le tambour à poussières. Le cordon d'alimentation doit être enroulé autour des boutons de rembobinage du cordon d'alimentation et le tuyau flexible doit être rangé comme cela est décrit dans ce mode d'emploi. Vous devez garder les accessoires au même endroit que l'aspirateur de façon à pouvoir y accéder facilement. Vous devez ranger l'aspirateur à l'intérieur d'un bâtiment.

Pièces de rechange

Aspirateur de liquides et de poussières de 3 gallons des états-unis /11 litres


N° de modèle : WD30500/WD3050M0

Les pièces RIDGID sont disponibles sur notre site Web à l'adresse suivante : www.ridgidparts.com

Pour commander, utiliser toujours le numéro de pièce – pas le numéro de légende

⚠ AVERTISSEMENT

RÉPARATION DE L'ASPIRATEUR DE LIQUIDES ET DE POUSSIÈRES DOUBLEMENT ISOLÉ

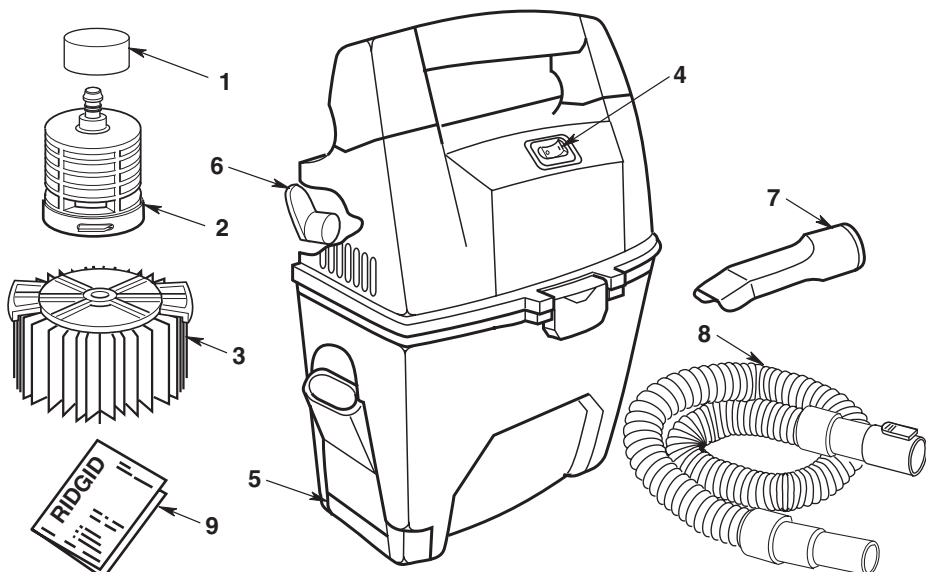
Dans un aspirateur de liquides et de poussières doublement isolé, deux systèmes d'isolation sont fournis au lieu de la mise à la terre. Aucun moyen de mise à la terre n'est prévu sur un appareil électro-ménager doublement isolé, et il ne faut pas en ajouter. La réparation d'un aspirateur de liquides et de poussières doublement isolé nécessite une connaissance approfondie du système et la prise de précautions extrêmes. Une telle réparation ne doit être entreprise que par un technicien agréé. Les pièces de rechange pour un aspirateur de liquides et de poussières doublement isolé doivent être les mêmes que les pièces qu'elles remplacent. Les mots « DOUBLE INSULATED » (Doublement isolé) figurent sur l'aspirateur de liquides et de poussières doublement isolé, et le symbole  (un carré à l'intérieur d'un autre carré) peut également figurer sur les appareils.

Pour réduire le risque de blessures causées par les chocs électriques, débranchez le cordon d'alimentation avant de réparer les éléments électriques de l'aspirateur de liquides et de poussières.

N° Légende	Pièce N°	Description
1	831388	Flotteur
2	818977-1	Cage du filtre
3	VF3500	† Filtre
4	832086	Interrupteur
5	833165	Ramasse-poussière

N° Légende	Pièce N°	Description
6	833161	Bouton de rembobinage du cordon d'alimentation
7	VT1781	Suceur pour véhicules
8	831327	Tuyau flexible (assemblé)
9	SP6747	Mode d'emploi

† Ces pièces de rechange sont en vente partout où des aspirateurs de liquides et de poussières sont en vente.





- **Ce qui est couvert par la garantie**

Les aspirateurs de liquides et de poussières RIDGID® sont garantis sans défauts de matériel ou de façon.

- **Durée de la garantie**

Cette garantie est valable pendant toute la durée de vie de l'aspirateur de liquides et de poussières RIDGID®.

- **Le service après-vente**

Pour tirer parti de cette garantie, le produit complet doit être renvoyé en port payé à RIDGE TOOL COMPANY, Elyria, Ohio ou bien à un quelconque CENTRE DE SERVICE APRÈS-VENTE RIDGID® AGRÉÉ. Les clés à tube et autres outils à main devront être renvoyés au point de vente où ils ont été achetés.

- **Les mesures de rectification des problèmes**

Les aspirateurs de liquides et de poussières sous garantie seront réparés ou remplacés, au choix de Ridge Tool Company, et ils vous seront renvoyés gratuitement; ou, si au bout de trois tentatives de réparation ou de remplacement pendant la période de garantie, l'aspirateur de liquides et de poussières est toujours défectueux, vous pourrez demander à obtenir un remboursement intégral de votre prix d'achat.

- **Ce qui n'est pas couvert par la garantie**

Les défaillances causées par une utilisation abusive ou non conforme aux instructions, ou par l'usure ordinaire, ne sont pas couvertes par cette garantie. **RIDGE TOOL COMPANY N'EST RESPONSABLE D'AUCUN DOMMAGE SECONDAIRE OU INDIRECT.**

- **Effet des lois locales sur cette garantie**

Au Canada, certaines provinces ne permettent peut-être pas l'exclusion ou la limitation des dommages secondaires ou indirects; par conséquent, il est possible que l'exclusion ou la limitation susmentionnée ne s'applique pas à vous. Cette garantie vous confère des droits contractuels spécifiques, et vous disposez peut-être d'autres droits qui peuvent varier d'une province à l'autre.

- **Aucune autre garantie expresse ne s'applique**

La présente GARANTIE À VIE COMPLÈTE est la garantie unique et exclusive concernant les produits RIDGID®. Aucun salarié, agent, distributeur ou autre n'est autorisé à modifier cette garantie ou à offrir une quelconque autre garantie de la part de Ridge Tool Company.

Stock N° WD3050/WD3050M

Modèle N° WD30500/WD3050M0

Numéro de série _____

Les numéros de modèle et de série figurent sur l'étiquette près de l'entrée du cordon dans l'aspirateur.

Il est recommandé d'inscrire ces deux numéros en lieu sûr pour référence future.

**EN CAS DE QUESTIONS OU POUR OBTENIR DES INFORMATIONS,
VEUILLEZ NOUS CONTACTER AU :**

1-800-4-RIDGID (1-800-474-3443) depuis les États-Unis et le Canada

01-800-701-9811 depuis le Mexique

www.ridgidvac.com

Prière d'avoir votre numéro de modèle ainsi que votre numéro de série à portée de la main avant de nous appeler.



EMERSON™
Professional Tools

Emerson Tool Company
Une division de
Emerson Electric Co.