

ASCO™ Pilot Valve Enclosures

Explosion Proof or 4X Watertight | Cast Aluminum | 3 to 12 Valve Constructions

SERIES
Dust
Collector

Features

- Protection for pre-wired ASCO remote pilot valves
- Corrosion resistant, cast aluminum enclosures available with Type 4X Watertight or Explosion-proof protection
- Installer-friendly valve layout
- For Explosion-proof enclosure, manual operation possible through exhaust port in base
- Enclosures may be mounted in any position

Construction

Valve Parts in Contact with Fluids		
	4X Watertight Enclosure	Explosion-proof Enclosure
Body	Brass	Aluminum
Seals and Discs	NBR	
Core Tube	305 Stainless Steel	
Core and Plugnut	430F Stainless Steel	
Springs	302 Stainless Steel	
Shading Coil	Copper	
Seat	Brass	314 Bronze

Electrical

Standard Coil and Class of Insulation	Watt Rating and Power Consumption				Spare Coil Assembly Part Number			
	DC Watts	AC			4X Watertight Enclosure		Explosion-proof Enclosure	
		Watts	VA Holding	VA Inrush	AC	DC	AC	DC
F	9.7	6.0	15.6	27.5	125472	125472	125472	-
F	15.3	-	-	-	-	-	-	125472

Standard Voltages: 120, 240 volts AC, 60 Hz, and 24 volts DC.
Must be specified when ordering.

Ordering instructions for Pilot Valve Enclosure - 3 to 12 Pilot Valves

Number of Valves	4X Watertight					Explosionproof			
	Catalog Number	Suffix			Catalog Number	Suffix			
		120/60 V	240/60 V	24VDC		120/60 V	240/60 V	24 VDC	
3	125469-003	-01-A	-02-A	-77-A	125847-003	-01	-02	-77	
4	125469-004	-01-A	-02-A	-77-A	125847-004	-01	-02	-77	
5	125469-005	-01-A	-02-A	-77-A	125847-005	-01	-02	-77	
6	125469-006	-01-A	-02-A	-77-A	125847-006	-01	-02	-77	
7	125469-007	-01-A	-02-A	-77-A					
8	125469-008	-01-A	-02-A	-77-A					
9	125470-009	-01-A	-02-A	-77-A					
10	125470-010	-01-A	-02-A	-77-A					
11	125470-011	-01-A	-02-A	-77-A					
12	125470-012	-01-A	-02-A	-77-A					

Note: To order for different voltages, add suffix to catalog numbers as shown above.



Pilot Valve Enclosures

Standard:

Type 4X Enclosure: Watertight, Dust-tight and Corrosion resistant enclosure.

Explosion-proof enclosure: Class I, Div. 1, Groups C and D; Class II, Div. 1, Groups E, F, and G; Type 4, 4X and 6; Temperature Code T4.

See *Optional Features Section* for other available options.

Approvals

CSA certified file 013976.

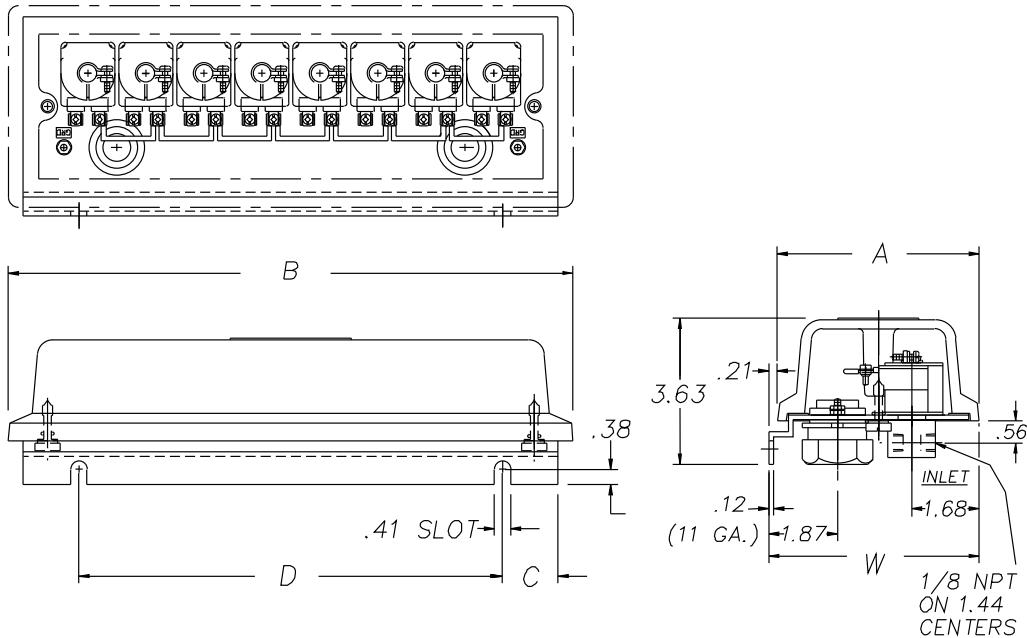
Pilot Valve Specifications - English (Metric units)

Pipe Size (in)	Orifice Size in (mm)	Flow Factor Cv (Kv)	Operating Pressure Differential psi (bar)			Max. Fluid and Ambient Temp. °F (°C)		Catalog Number	Const. Ref.	Watt Rating/Class of Coil Insulation	
			Air			AC	DC			AC	DC
			Min	Max. AC	Max. DC						
Open Frame Pilot Valve used inside 4X Watertight Enclosures											
1/8	1/8 (3.2)	0.34 (0.29)	0	150 (10)	150 (10)	125 (52)	104 (40)	PSFX8262C002-17523	1, 2	6/F	9.7/F
4X Watertight Enclosure											
1/8	1/8 (3.2)	0.34 (0.29)	0	150 (10)	150 (10)	125 (52)	104 (40)	See Enclosures Table	1	6/F	9.7/F
Explosion Proof Enclosure											
1/8	1/8 (3.2)	0.34 (0.29)	0	150 (10)	150 (10)	125 (52)	104 (40)	See Enclosures Table	3	6/F	15.3/F

Dimensions inches (mm)

Catalog No.		A	B	C	D	W
125-469	in	5.00	14.00	1.38	10.50	5.21
	mm	127	356	35	267	132

Const. Ref. 1
Type 4X Watertight Enclosures - 8 Valve Maximum



ASCO™ Pilot Valve Enclosures

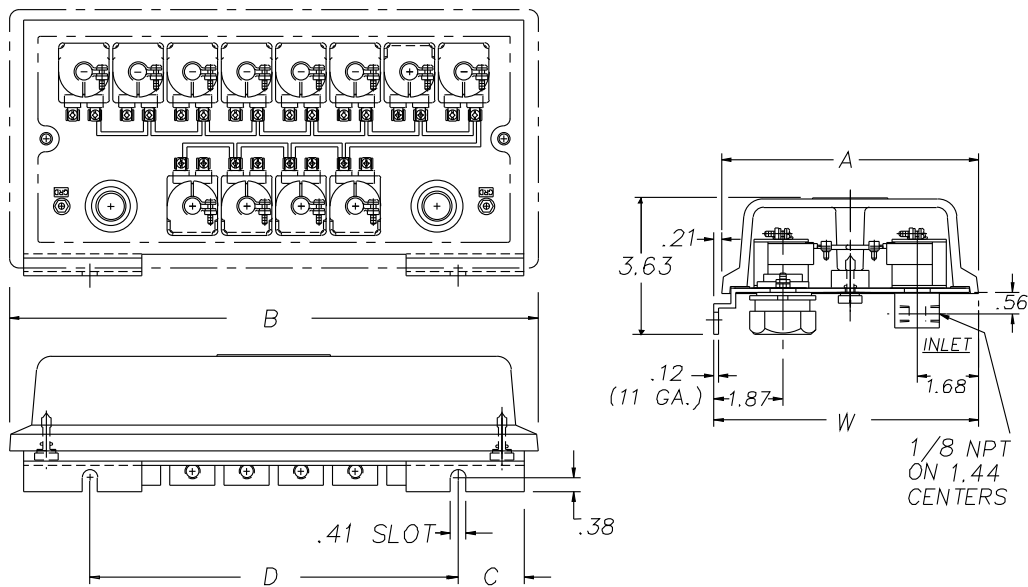
Explosion Proof or 4X Watertight | Cast Aluminum | 3 to 12 Valve Constructions

SERIES
Dust
Collector

Dimensions inches (mm)

Catalog No.		A	B	C	D	W
125-470	in	6.81	14.00	1.75	9.75	7.02
	mm	173	356	44	248	178

Const. Ref. 2 Type 4X Watertight Enclosure - 12 Valve Maximum



Const. Ref. 3 Explosionproof Enclosure & Assembly - 6 Valve Maximum

