

### GENERAL

FLUID	: Air or neutral gas, filtered, lubricated or not
PRESSURE	: Can be used with vacuum – 0.950 bar max. -0,950 to +12 bar +2 to +12 bar (with internal differential return)
PILOT PRESSURE	: See diagram below
AMBIENT TEMPERATURE	: -10°C, +60°C
FLOW (Qv at 6.3 bar)	: 6300 l/min (ANR) (with subbase G 3/4) 7000 l/min (ANR) (with subbase G 1)
FLOW COEFFICIENTS	: Kv = 90 (with subbase G 3/4) Kv = 100 (with subbase G 1)
LIFE	: 5 millions of cycles (in normal operating conditions)
BASE	: ISO 5599/1- Size 4
PORT	: By subbases G 3/4 - G 1
SUBBASES	: Single subbase ISO/AFNOR NF E49085



1 = Pressure	12 = Return
2-4 = Outlets	14 = Pilot
3-5 = Exhausts	

### CONSTRUCTION

Body and cover : zinc diecast  
Sealing : nitrile (NBR)  
Internal parts : acetal (POM), light alloy, zinc diecast  
[Multifunction pilot by selector seal](#)

### SPECIFICATIONS

function symbol	operators	pressure of pilot fluid (bar)		catalogue number		
		pilot(14)	return (12)		min.	max.
	air operated		spring return	2,5	12	54400001
	air operated		differential return	2	12	54400002
	air operated		air return	1,5	12	54400003
	air operated - pressure held <b>W1</b>			2,5	12	54400007
	air operated - pressure release <b>W3</b>			2,5	12	54400008

### OPTIONS

- Equipment with manual testers so that the spool position can be checked

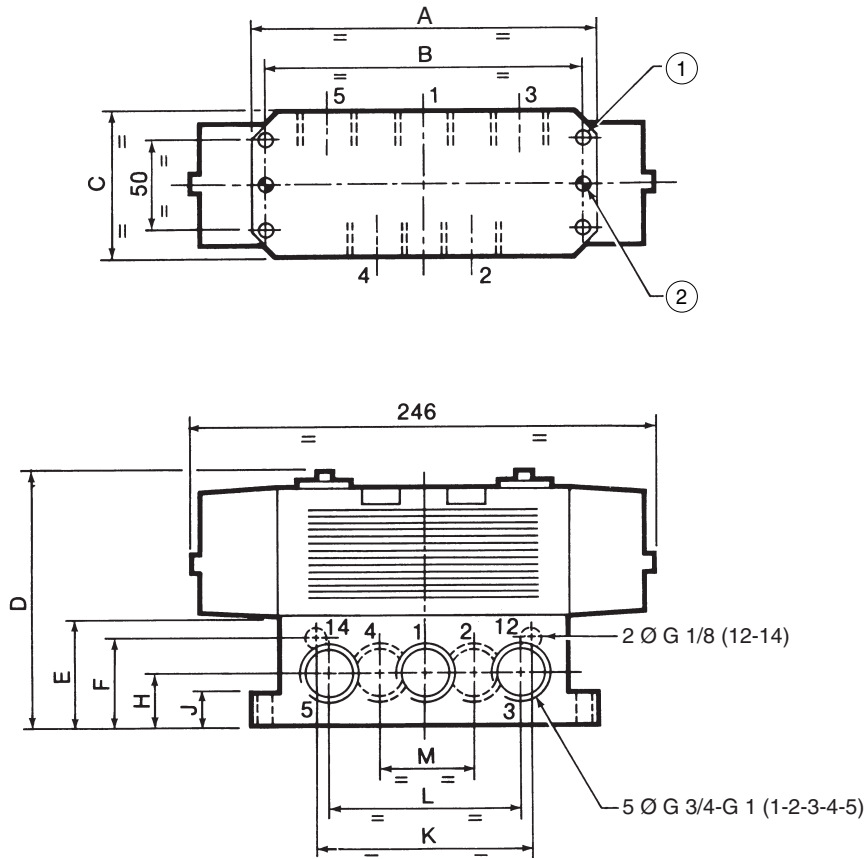
### SUBBASES

Type of subbases	subbases cat.no.	Port orifices		
		12-14	1-2-4	3-5
Single with side port	35500144	G 1/8	G 3/4	G 3/4
	35500082	G 1/8	G 1	G 1

**DIMENSIONS AND WEIGHTS**

ISO size 4

VALVE ON SINGLE SUBBASE  
WITH SIDE PORT



- ① Subbase mounting G 1 : 4 holes Ø 7
- ② Subbase mounting G 3/4 : 2 holes Ø 9

Subbases cat.no.	Port orifices			DIMENSIONS (mm)											weight (kg)
	12-14	1-2-4	3-5	A	B	C	D	E	F	H	J	K	L	M	
<b>35500144</b>	G 1/8	G 3/4	G 3/4	195	177	85,5	120	42	32	22	19	116	88	40	4,600
<b>35500082</b>	G 1/8	G 1	G 1	186	172	80	138	60	47	30	18	116	106	50	4,700