

Double Gas Shutoff Valves

2-Way Normally Closed General Purpose & Watertight Enclosure 1 1/4" to 2" NPT

2/2
Series 214
Double Valve

Features

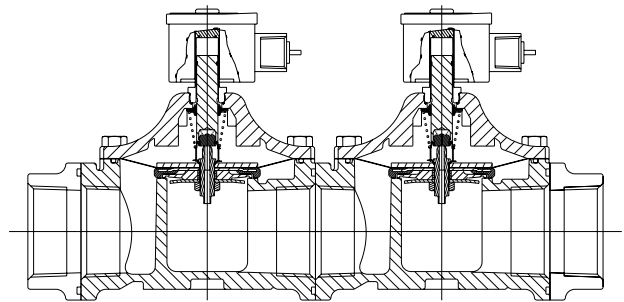
- Double solenoid gas train for an exceptionally small footprint
- Optional NPT threaded flange adapters allow direct piping that simplifies the installation and maintenance.
- Suitable for boilers, furnaces, ovens, kilns, heating equipment, and gas generators used in commercial and industrial applications.
- Low pressure drop and extremely high flow capacity, ideal in low gas supply pressure applications/locations.

Please reference 8214 Series 200 catalog pages for additional features.



Adapter & Joining Hardware Kits (Optional)

Pipe Size (in)	1	2	3	4	5
	Inlet Adapter Kit	Outlet Adapter Kit	Inlet/Outlet Flange and Hardware Kit	Connecting Hardware Kit	O-Ring Kit
3/4	296657-001	296658-001	296659-001	294986-001	296663-001
1	296657-002	296658-002	296659-002		
1 1/4	296657-003	296658-003	296659-003		
1 1/2	296657-004	296658-004	296659-004		
1 1/4 (High Flow)	296657-005	296658-005	296659-005	294986-002	296663-002
1 1/2 (High Flow)	296657-006	296658-006	296659-006		
2	296657-007	296658-007	296659-007		
2 (High Flow)	296657-008	296658-008	296659-008	294986-003	296663-003
2 1/2	296657-009	296658-009	296659-009		
3	296657-010	296658-010	296659-010		



Approvals (for 8214 Series 200 only)

UL listed to standard 429 "Electrically Operated Valves", Guide YIOZ, File MP618 Safety Shutoff Valves.

FM Approved to Class 7400 "liquid and gas safety shutoff valves."

CSA Certified to:

- 1) Standard C22.2 No. 139 "Electrically Operated Valves", File 010381.
- 2) Automatic Gas Valves Z21.21 (6.5), C/I, File 112872.
- 3) Automatic Gas Safety Shutoff Valves (3.9), File 112872.

Content of Hardware Kits/Adapters

Part Name	Inlet Adapter Kit	Outlet Adapter Kit	Inlet/Outlet Flange and Hardware Kit	Connecting Hardware Kit	O-Ring Kit
Inlet Flange Adapter	1	-	1	-	-
Outlet Flange Adapter	-	1	1	-	-
Bolt	-	-	8	4	-
Lock Washer	-	-	8	4	-
Flat Washer	-	-	8	4	-
Nut	-	-	8	4	-
O-Ring	1	1	2	1	10
I & M Instructions	1	1	1	1	-

Double Gas Shutoff Valves

2-Way Normally Closed General Purpose & Watertight Enclosure 1 1/4" to 2" NPT

2/2
Series 214
Double Valve

Specifications (English units)

Modular Double Valves		Pipe Size (in)	Orifice Size (in)	"Cv Flow Factor (Double Valves)"	Flow Capacity ①	Gas Capacity ①	Const. Ref.
Valve #1	Valve #2				ft ³ /hr	Btu/hr	
COMBUSTION (Fuel Gas) - NORMALLY CLOSED							
"8214 (200) (On/Off)"	"8214 (200) (On/Off)"	3/4	5/8	8	419	419,400	2
		1		15	801	800,700	
		1 1/4		23	1220	1,220,100	
		1 1/2		25	1335	1,334,500	
		1 1/4 (High Flow)	2 3/32	26	1362	1,362,000	
		1 1/2 (High Flow)		32	1711	1,711,000	
		2	3	39	2085	2,085,000	
		2 (High Flow)		53	2860	2,860,000	
		2 1/2		73	3970	3,970,000	
		3		74	4003	4,003,400	

① 1" W.C. Drop @ 2" W.C. Inlet Pressure, 1,000 Btu/cu.ft. or more, 0.64 Specific Gravity Gas.

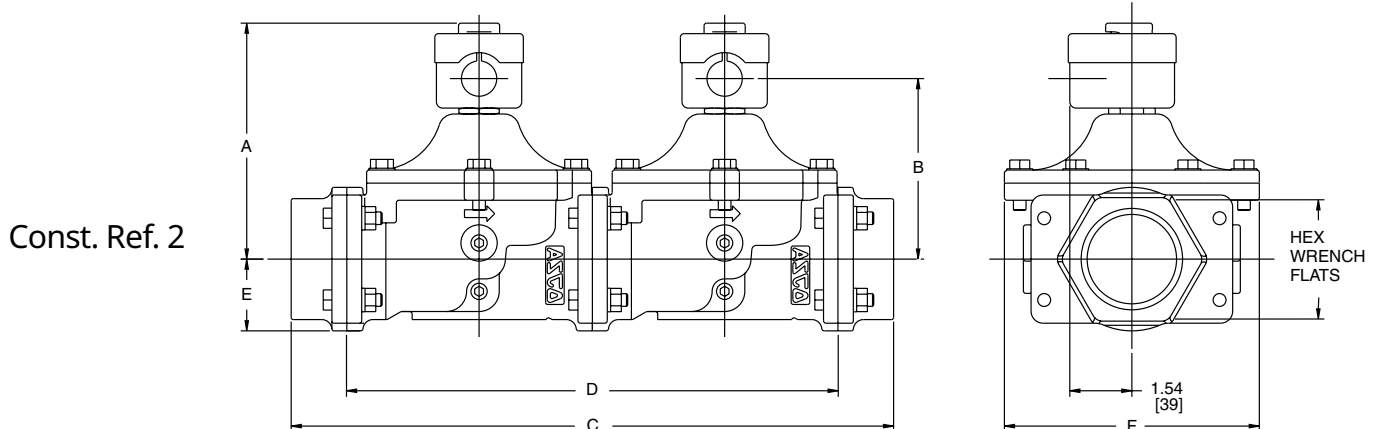
Specifications (Metric units)

Modular Double Valves		Pipe Size (in)	Orifice Size (mm)	"Kv Flow Factor (Double Valves)"	Flow Capacity ①	Gas Capacity ①	Const. Ref.
Valve #1	Valve #2				m ³ /hr	Btu/hr	
COMBUSTION (Fuel Gas) - NORMALLY CLOSED							
"8214 (200) (On/Off)"	"8214 (200) (On/Off)"	3/4	41	6.9	12	419,400	2
		1		13.0	23	800,700	
		1 1/4		20.0	35	1,220,100	
		1 1/2		21.6	38	1,334,500	
		1 1/4 (High Flow)	53	22.5	39	1,362,000	
		1 1/2 (High Flow)		28	49	1,711,000	
		2	76	34	59	2,085,000	
		2 (High Flow)		46	81	2,860,000	
		2 1/2		63	112	3,970,000	
		3		64	113	4,003,400	

① 1" W.C. Drop @ 2" W.C. Inlet Pressure, 1,000 Btu/cu.ft. or more, 0.64 Specific Gravity Gas.

Dimensions: mm (inches)

Const. Ref.	Valve Size (in)		A	B	C	D	E	F	G	HEX
2	1 1/4	ins.	5.85	4.48	14.94	12.18	1.78	6.32	-	3.00
		mm	149	114	379	309	45	161	-	76
	1 1/2	ins.	5.85	4.48	14.94	12.18	1.78	6.32	-	3.00
		mm	149	114	379	309	45	161	-	76
2	2	ins.	5.85	4.48	14.94	12.18	1.78	6.32	-	3.00
		mm	149	114	379	309	45	161	-	76



Double Gas Shutoff Valves

2-Way Normally Closed General Purpose & Watertight Enclosure 1 1/4" to 2" NPT

2/2
Series 214
Double Valve

Adapter & Joining Hardware Kits (Optional)

