

### Features

- Ideal for remote applications where continuously powered devices can't be used, such as irrigation systems
- Pressures up to 2025 psi
- Brass and Stainless Steel constructions

### Construction

Valve Parts in Contact with Fluids		
Body	Brass	Cast 304 Stainless Steel
Seals and Discs	NBR / UR	
Core Tube	305 Stainless Steel	
Core and Plugnut	430F Stainless Steel	
Springs	Stainless Steel	
Shading Coil	Copper	Silver

### Electrical

Standard Coil and Class of Insulation	Watt Rating and Power Consumption		Spare Coil Part No.
	DC		General Purpose
	Watts		DC
A	33.2		230725

**Standard Voltages:** 6, 12, 24 VDC. Must be specified when ordering.  
Other voltages available when required.

### Solenoid Enclosures

**Standard:** Open Frame

### Options

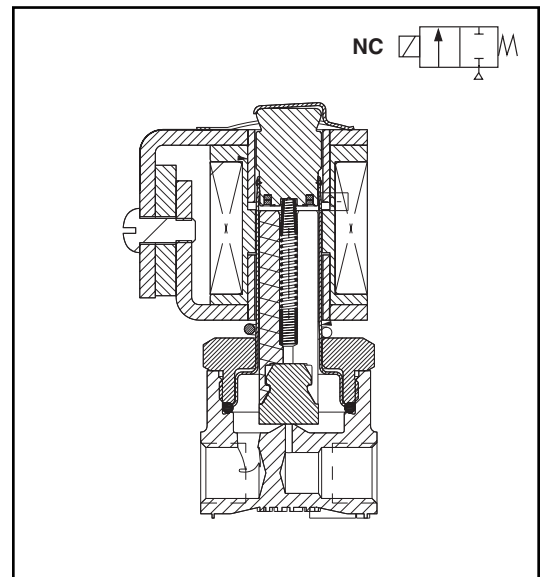
Panel Mount (prefix GP)

Mounting bracket (suffix MB)

Silicone Free Service (suffix SF)

**Elastomers:** FKM (suffix V), EPDM (suffix E), Neoprene (suffix J), PTFE (suffix T)

*Refer to Engineering Section for fluid and temperature compatibility.*



SPECIAL SERVICE VALVES

### Nominal Ambient Temp. Ranges

32°F to 104°F (-0°C to 40°C)

*Refer to Engineering Section for details.*

**Specifications (English units)**

Pipe Size (in)	Orifice Size (in)	Cv Flow Factor	Operating Pressure Differential (psi)				Max. Fluid Temp. °F	Catalog Number		Const. Ref.	Watt Rating/Class of Coil Insulation
			Min.	Max. DC				Brass	Stainless Steel		
				Air-Inert Gas	Water	Lt.Oil					
1/8	3/64	0.06	0	2025	1710	825	140	-	MU8262A619	1	33.2
1/8	3/64	0.06	0	1500	1350	825	140	MU8262A610	-	1	33.2
1/8	3/32	0.21	0	500	350	325	140	MU8262A611	MU8262A620	1	33.2
1/8	1/8	0.35	0	275	260	195	140	MU8262A612	MU8262A621	1	33.2
1/4	3/64	0.06	0	1500	1350	825	140	MU8262A613	MU8262A622	2	33.2
1/4	3/32	0.21	0	500	350	270	140	MU8262A614	MU8262A623	2	33.2
1/4	1/8	0.35	0	275	260	150	140	MU8262A615	MU8262A624	2	33.2
1/4	5/32	0.52	0	150	140	100	140	MU8262A616	MU8262A625	2	33.2
1/4	7/32	0.73	0	55	54	40	140	MU8262A617	MU8262A626	2	33.2
1/4	9/32	0.88	0	36	36	33	140	MU8262A618	MU8262A627	2	33.2
3/8	1/8	0.35	0	275	260	140	140	MU8263A615	MU8263A624	3	33.2
3/8	5/32	0.52	0	150	140	80	140	MU8263A616	MU8263A625	3	33.2
3/8	7/32	0.73	0	55	54	29	140	MU8263A617	MU8263A626	3	33.2
3/8	9/32	0.88	0	35	32	21	140	MU8263A618	MU8263A627	3	33.2

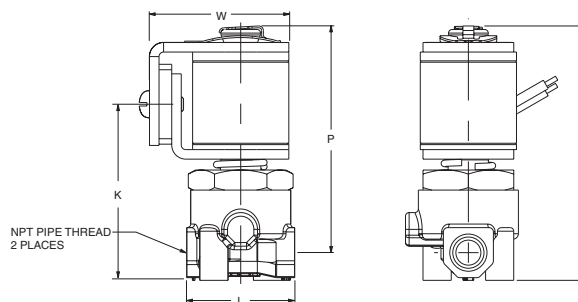
**Specifications (Metric units)**

Pipe Size (in)	Orifice Size (mm)	Kv Flow Factor (m³/h)	Operating Pressure Differential (bar)				Max. Fluid Temp. °C	Catalog Number		Const. Ref.	Watt Rating/Class of Coil Insulation
			Min.	Max. DC				Brass	Stainless Steel		
				Air-Inert Gas	Water	Lt.Oil					
1/8	1.2	0.05	0	140	118	57	60	-	MU8262A619	1	33.2
1/8	1.2	0.05	0	103	93	57	60	MU8262A610	-	1	33.2
1/8	2.4	0.18	0	34	24	22	60	MU8262A611	MU8262A620	1	33.2
1/8	3.2	0.30	0	19	18	13	60	MU8262A612	MU8262A621	1	33.2
1/4	1.2	0.05	0	103	93	57	60	MU8262A613	MU8262A622	2	33.2
1/4	2.4	0.18	0	34	24	19	60	MU8262A614	MU8262A623	2	33.2
1/4	3.2	0.30	0	19	18	10	60	MU8262A615	MU8262A624	2	33.2
1/4	4.0	0.45	0	10	10	7	60	MU8262A616	MU8262A625	2	33.2
1/4	5.6	0.73	0	4	4	3	60	MU8262A617	MU8262A626	2	33.2
1/4	7.1	0.88	0	2	2	2	60	MU8262A618	MU8262A627	2	33.2
3/8	3.2	0.30	0	19	18	10	60	MU8263A615	MU8263A624	3	33.2
3/8	4.0	0.45	0	10	10	6	60	MU8263A616	MU8263A625	3	33.2
3/8	5.6	0.73	0	4	4	2	60	MU8263A617	MU8263A626	3	33.2
3/8	7.1	0.88	0	2	2	1	60	MU8263A618	MU8263A627	3	33.2

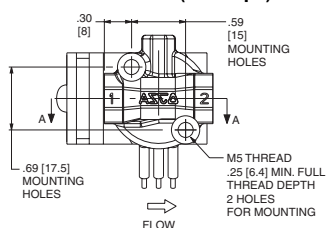
**Dimensions: inches (mm)**

Const. Ref.		H	K	L	P	W
1	in	2.80	1.94	1.19	2.50	1.71
	mm	71	49	30	63	43
2	in	2.94	2.08	1.56	2.58	1.90
	mm	75	53	40	66	48
3	in	3.01	2.15	1.88	2.58	2.06
	mm	76	55	48	66	52

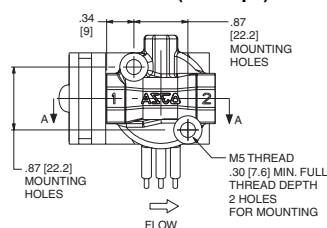
Const. Ref. 1, 2, 3



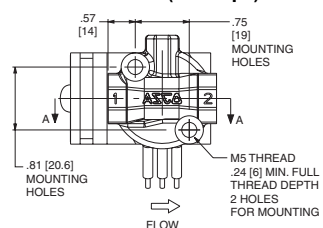
Const. Ref. 1 (1/8" Pipe)



Const. Ref. 2 (1/4" Pipe)



Const. Ref. 3 (3/8" Pipe)



Note: Mounting holes will accept a standard #10-32 machine screw.

SPECIAL SERVICE VALVES