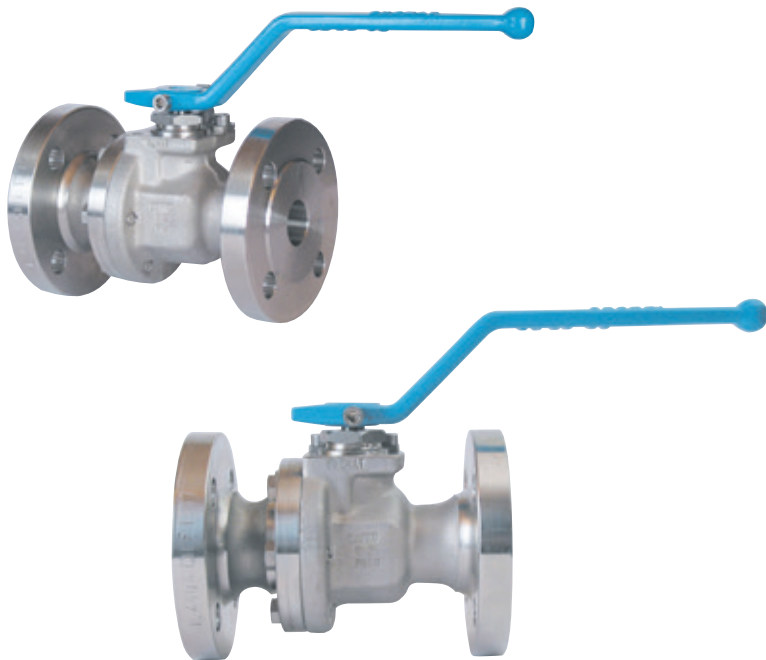




CHEMAT BALL VALVE, TWO-PIECE, CAPRO SERIES II TYPE 327 (STAINLESS STEEL), TYPE 627 (C-STEEL) DIN/EN 558-1

CAPRO Series II ball valves meet the high quality demands and technical safety requirements of the chemicals industry



FEATURES

- Two piece split body ball valve
- Full bore
- Blowout proof shaft, mounted from inside
- Antistatic device as per ISO 7121
- Low maintenance control shaft seals with manual emergency reset
- Integrated DIN/ISO 5211 mounting plate for the mounting of quarter turn actuators
- TA-Luft approval according VDI 2440
Design checked under nr. 020004 as a pressure device in accordance with directive 97/23/EC and AD 2000
- Capsulated body seal
- Overall length complies with DIN/EN 558-1, basic series 1
- Possible special designs:
 - Shaft extension
 - Spring-loaded seat
 - Heating jacket
 - Hand lever extension
 - Acceptance at manufacturer's works and general industrial approvals
 - DVGW approval

FIELDS OF APPLICATION

In the chemical and pharmaceutical industry, in the power industry for media such as gases, liquids, steam etc., in which the materials C-steel or austenitic steel are required.

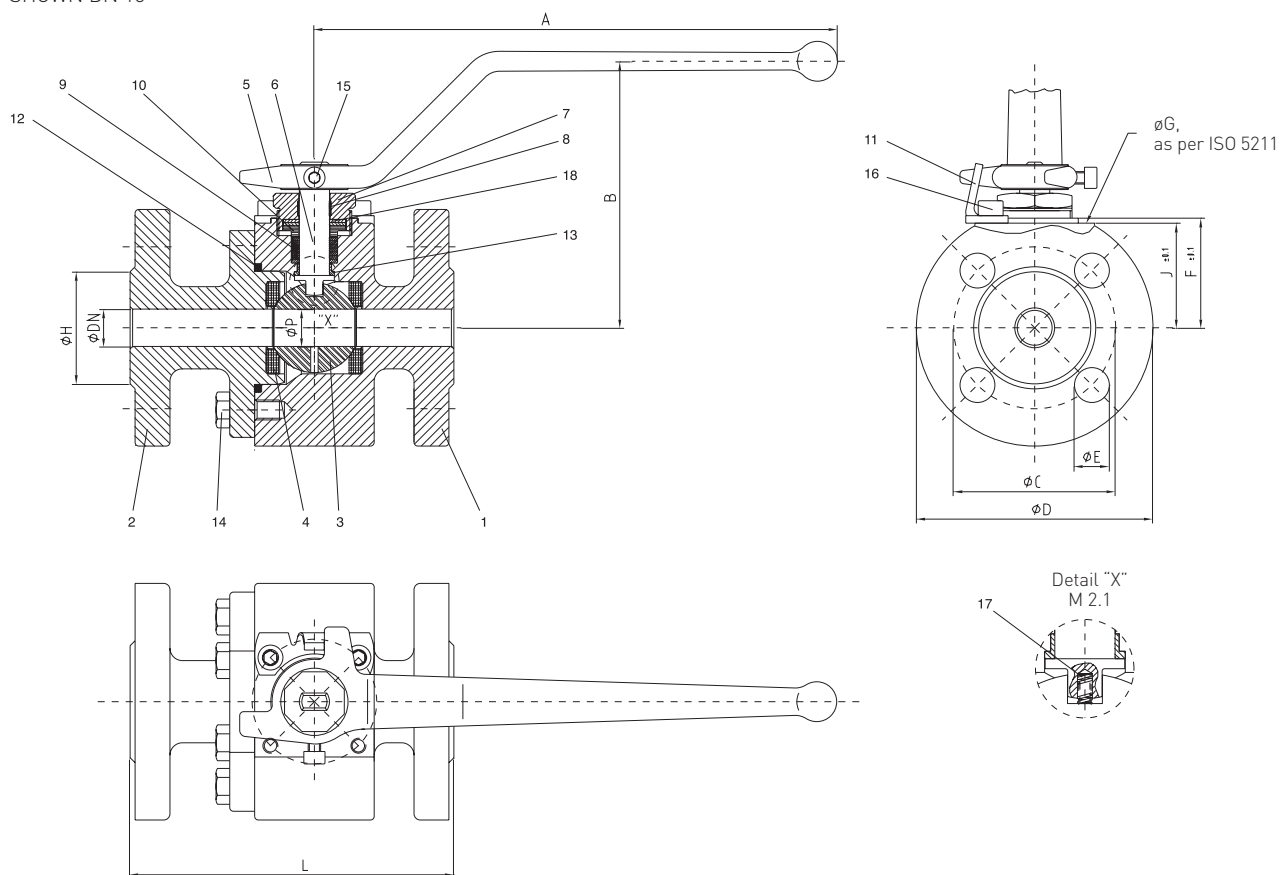
TECHNICAL DATA

Pressure (bar):	PN16 - PN40
Temperature (°C):	-60 to +225
Nominal sizes:	DN 15 - 100
Flange connection:	DIN/EN 1091, special connections on request

CHEMAT BALL VALVE, TWO-PIECE, CAPRO SERIES II

TYPE 327/627, DN 65 - 100, OVERALL LENGTH DIN/EN 558-1

SHOWN DN 15



PARTS LIST - MATERIALS

Item	Number	Designation	Material
1	1	Body	1.4404/1.0619/1.0460/1.4408
2	1	Cap	1.4404/1.0619/1.0460
3	1	Ball	1.4404/1.4408
4	2	Seat	PTFE/Glass
5	1	Hand lever	GTS
6	1	Shaft	1.4462
7	1	Packing gland	1.4404
8	1	Bearing	Metaloplast
9	1	Packing	1.4404/TF4220
10	1	Washer	1.4404
11	1	Stop	1.4301
12	1	Body seal	PTFE
13	1	Shaft seal	PTFE/Carbon
14	4/6	Hexagonal bolt	A 4-70
15	1	Handle	A 4-70
16	2	Screw	A 4-70
17	1	Antistatic spring	1.4310
18	2	Elastic washer	1.4310

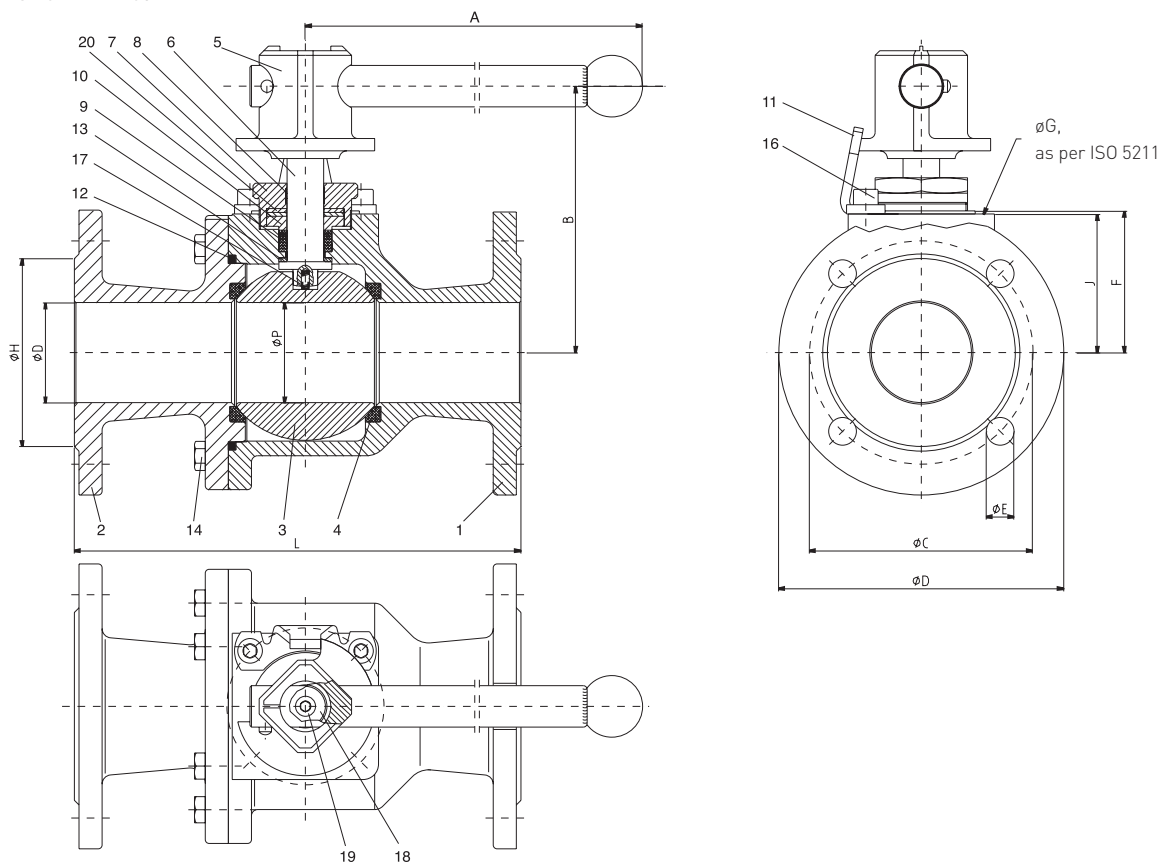
MAIN DIMENSIONS - WEIGHTS

DN	PN	A	B	ØC	ØD	E	F	ØG	ØH	I	ØP	L	DIN/ISO	
													5211	Weight
15	40	210	107	65	95	14	44	35	45	42	15	130	F05	5.0
20	40	210	107	75	105	14	44	35	58	42	20	150	F05	5.0
25	40	210	111.5	85	115	14	48.5	35	68	46.5	25	160	F05	5.5
40	40	315	128	110	150	18	68	55	88	66	40	200	F07	11.0
50	40	315	134	125	165	18	72	55	102	69	50	230	F07	14.5

CHEMAT BALL VALVE, TWO-PIECE, CAPRO SERIES II

TYPE 327/627, DN 65 - 100, OVERALL LENGTH DIN/EN 558-1

SHOWN DN 65



PARTS LIST - MATERIALS

Item	Number	Designation	Material
1	1	Body	1.4404/1.0619/1.0460/1.4408
2	1	Cap	1.4404/1.0619/1.0460
3	1	Ball	
4	2	Seat	PTFE/Glass
5	1	Hand lever	GTS
6	1	Shaft	1.4462
7	1	Packing gland	1.4404
8	1	Bearing	Metaloplast
9	1	Packing	
10	1	Washer	
11	1	Stop	
12	1	Body seal	PTFE
13	1	Shaft seal	PTFE/Carbon
14	4/6	Hexagonal bolt	A 4-70
16	2	Screw	A 4-70
17	1	Antistatic spring	1.4310
18	1	Washer	Steel components
19	1	Screw	A 4-70
20	2	Spring washer	1.4310

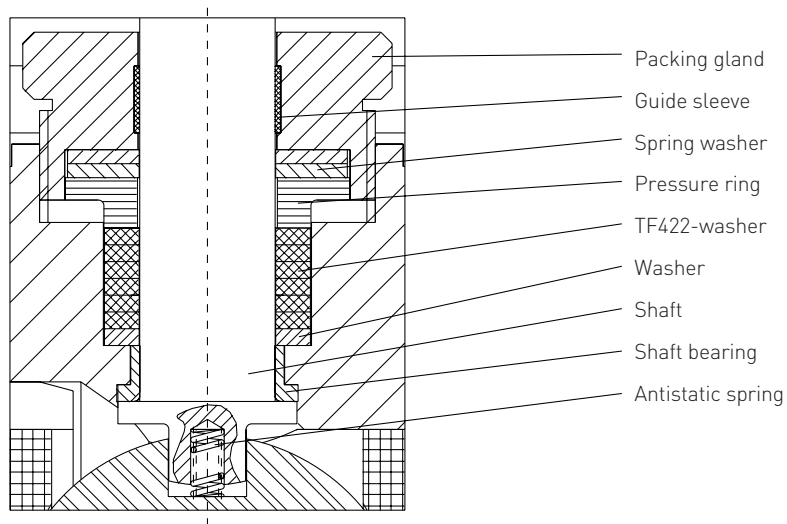
MAIN DIMENSIONS - WEIGHTS

DN	PN	A	B	ØC	ØD	E	F	ØG	ØH	I	ØP	L	DIN/ISO	
													5211	Weight
65	16	545	173.0	145	185	18	92	70	122	90	65	290	F10	25.5
80	16	545	178.5	160	200	18	95	70	138	92	76	310	F10	28.5
100	16	545	197.5	180	220	18	114	70	158	111	101	350	F10	42.5

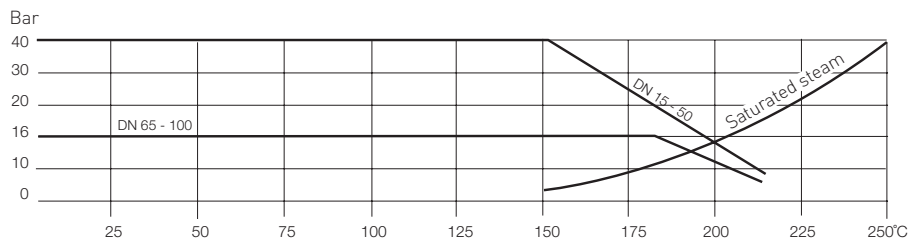
CHEMAT BALL VALVE, TWO-PIECE, CAPRO SERIES II

TYPE 327/627

PACKING - LOW-MAINTENANCE - ADJUSTABLE
SHAFT SEAL WITH TA-LUFT EXTRACTION



OPERATING PRESSURE AND TEMPERATURE FOR STANDARD SEALS*
CAPRO 327/627 SERIES II



FLOW RATE VALUES

DN	K _{VS} m ³ /h
15	11
20	22
25	56
40	161
50	311
65	536
80	818
100	1709

TORQUES in Nm*

ΔP in bar	DN								
	15	20	25	40	50	65	80	100	
10	8	15	17	33	45	70	90	130	

* Measured with prepared compressed air subject to Δ.

Neither Emerson, Emerson Automation Solutions, nor any of their affiliated entities assumes responsibility for the selection, use or maintenance of any product. Responsibility for proper selection, use, and maintenance of any product remains solely with the purchaser and end user.

KTM is a mark owned by one of the companies in the Emerson Automation Solutions business unit of Emerson Electric Co. Emerson Automation Solutions, Emerson and the Emerson logo are trademarks and service marks of Emerson Electric Co. All other marks are the property of their respective owners.

The contents of this publication are presented for informational purposes only, and while every effort has been made to ensure their accuracy, they are not to be construed as warranties or guarantees, express or implied, regarding the products or services described herein or their use or applicability. All sales are governed by our terms and conditions, which are available upon request. We reserve the right to modify or improve the designs or specifications of such products at any time without notice.

Emerson.com/FinalControl