



NEOTECHA HANDLEVER ON BALL VALVE TYPE NTC (DISCONTINUED) MOUNTING INSTRUCTION (THIS PRODUCT IS NOW DISCONTINUED)

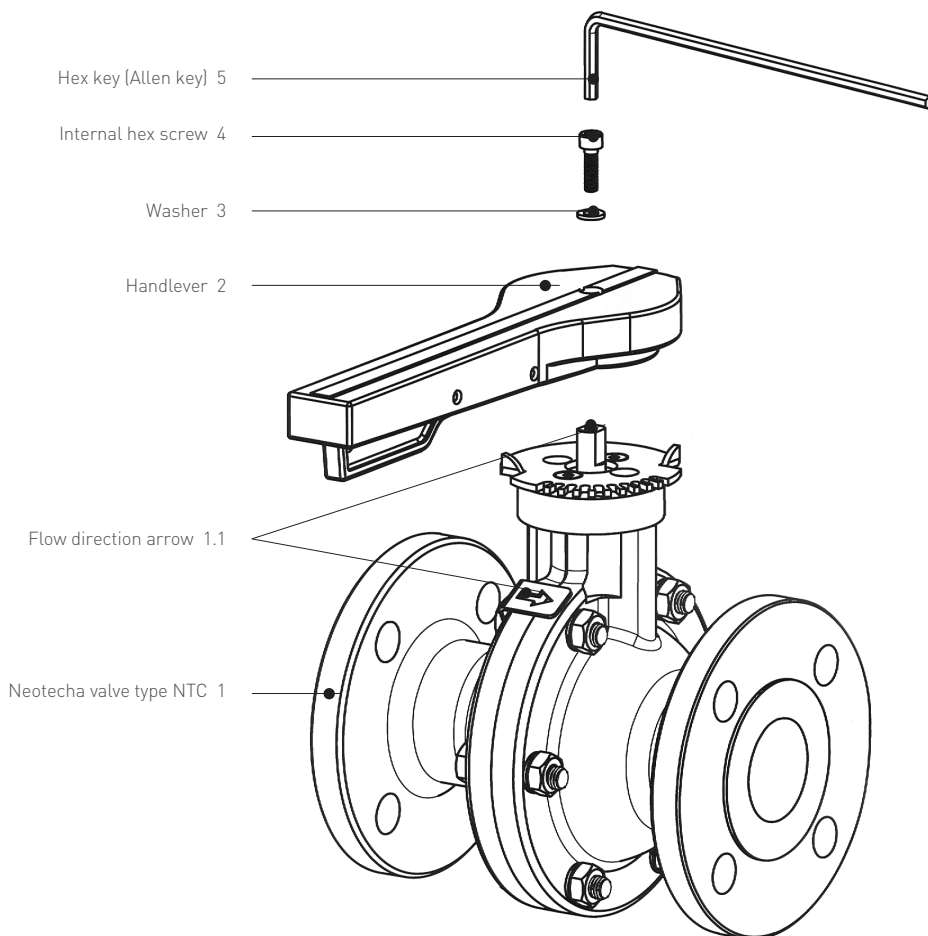
This product is now discontinued

Before installation these instructions must be fully read and understood

MOUNTING INSTRUCTION

For technical reasons it is necessary to ship the valve in the closed position. In order to keep packaging to a reasonable size and cost, we have not mounted the handlever. The mounting is simple and when you follow the instructions, the lever cannot be mounted incorrectly. If mounting plate has been removed and/or is being repositioned, it is imperative that flow direction arrow on valve body and on valve stem are indicating the same flow direction.

1. Place C-Ball valve (1) in front of you as shown in picture.
(Attention: arrow of flow direction (1.1) points to the right).
2. Place handlever (2) on stem (do not change position of stem).
Handlever must point to the side having flow direction arrow on it.
3. Place washer (3) into hole on lever.
4. Tighten screw (4) with key (5) (approx. 71 inch lbs or 8 Nm).



DISCONTINUED

DISCONTINUED

VCTEC-02693-EN © 2017 Emerson Electric Co. All rights reserved 05/17. Neotecha is a mark owned by one of the companies in the Emerson Automation Solutions business unit of Emerson Electric Co. The Emerson logo is a trademark and service mark of Emerson Electric Co. All other marks are the property of their prospective owners.

The contents of this publication are presented for informational purposes only, and while every effort has been made to ensure their accuracy, they are not to be construed as warranties or guarantees, express or implied, regarding the products or services described herein or their use or applicability. All sales are governed by our terms and conditions, which are available upon request. We reserve the right to modify or improve the designs or specifications of such products at any time without notice.

Emerson Electric Co. does not assume responsibility for the selection, use or maintenance of any product. Responsibility for proper selection, use and maintenance of any Emerson Electric Co. product remains solely with the purchaser.

Emerson.com/FinalControl