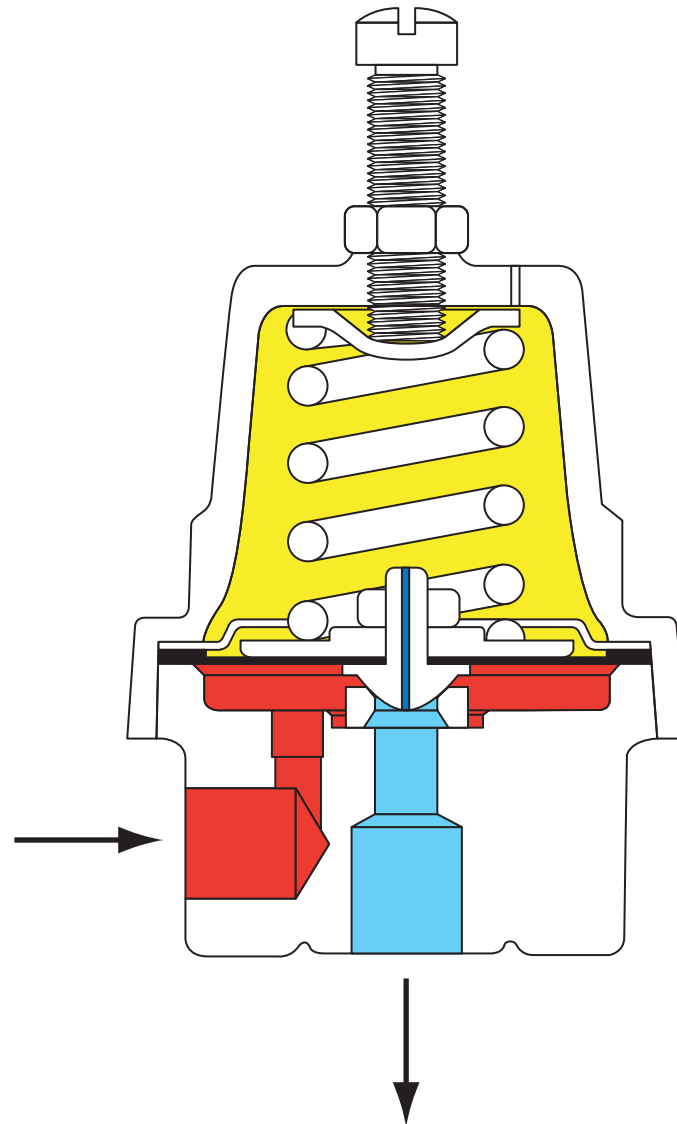


Cash Valve Type CP Rotary Screw Compressor Pilot Valve



- INLET PRESSURE
- OUTLET PRESSURE
- ATMOSPHERIC PRESSURE
- INTERMEDIATE PRESSURE