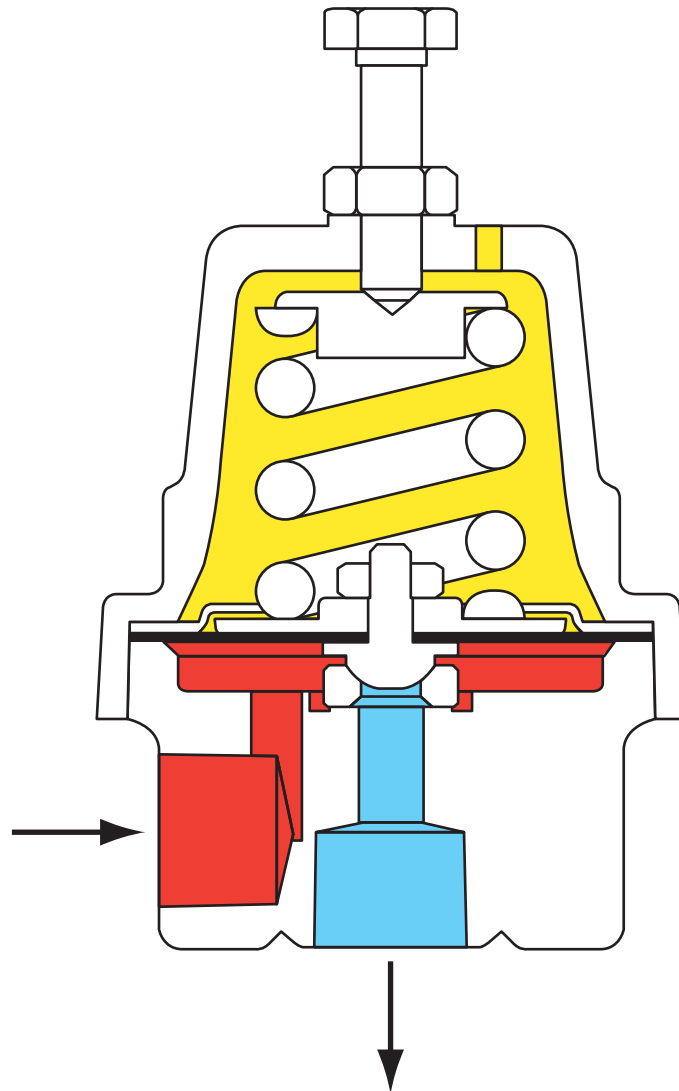


Cash Valve Type FRM Backpressure Valve



- █ INLET PRESSURE
- █ OUTLET PRESSURE
- █ ATMOSPHERIC PRESSURE