

# Enardo 2500 Series

Emergency Relief Vent with Vacuum

D104119X016

## Introduction

Enardo™ 2500 Series emergency relief vents are designed to provide an emergency pressure relief opening for storage tanks when exposed to overpressure that are not handled by standard tank vents. These vents provide the capacity to meet API standard 2000 for emergency venting due to fire exposure when properly sized and provides high capacity vacuum flow for emergency pump-out of product. These vents also provide quick easy access for tank inspection and maintenance.

When excessive pressure builds within the storage tank the Enardo 2500 Series Emergency Pressure Relief Vent's hinged cover begins to open at the predetermined set pressure, relieving excess pressure. When overpressure has dissipated, the cover reseats onto the base. The hinge mechanism prevents misalignment and provides an accurate reseal. When excessive vacuum builds within the storage tank, the spring loaded pallet lifts, breaking the seal between the seat and pallet, allowing air to pass through the valve orifice relieving the vacuum buildup. The vacuum valve reseals upon relief and remains sealed.

## Available Sizes

**ANSI:** 16, 20 and 24 in. /  
400, 500 and 600 mm

**API:** 20 and 24 in. / 500 and 600 mm

## Vent Setting Range

### Pressure

4.0 to 16.0 oz./sq. in.  
(0.5 oz./sq. in. increments)  
7.0 to 27.0 in. w.c.  
(0.5 oz./sq.in. increments)  
17.4 to 67.2 mbar  
(2.2 mbar increments)

### Vacuum

0.5, 0.75, 1.0 and 2.0 oz./sq. in.

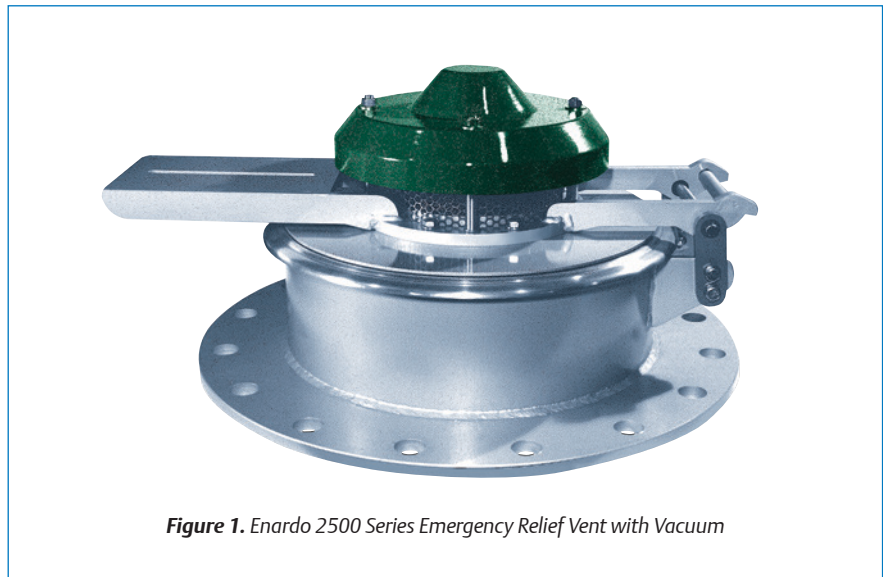


Figure 1. Enardo 2500 Series Emergency Relief Vent with Vacuum

## Construction Materials

### Base, Arm and Hood

Carbon Steel  
304 Stainless steel  
316 Stainless steel

### Disk and Seal Support

Aluminum  
316 Stainless steel

### Seal

Buna-N, FEP Teflon® or Viton®

### Vacuum Spring

302 Stainless steel

### Vacuum Pallet

Advanced Composite-Polyphenylene  
Sulfide(PPS)  
316 Stainless steel

### Vacuum Seat

Advanced Composite-Polyphenylene  
Sulfide (PPS)  
316 Stainless steel

## Additional Technical Data

For more technical information, contact your local Sales Office or log on to:

[www.enardo.com](http://www.enardo.com)

## Features

- **Advanced seal technology exceeds the most stringent of industrial standards for allowable leakage (1 SCFH at 90% set point) and provides excellent set point accuracy (+/- 3%).**
- **Every Enardo 2500 Series vent is factory inspected and leak checked and certified.**
- **Corrosion-resistant coatings are available for even the most corrosive of applications.**
- **Certified flow capacity curves are available for the full product size range.**
- **Available in API, ANSI, DIN and JIS flanges.**
- **EN 13463-1 and EN 13463-5 Certified.**

Teflon® and Viton® are marks owned by E. I. du Pont de Nemours and Company.

# Enardo 2500 Series

## Emergency Relief Vent with Vacuum

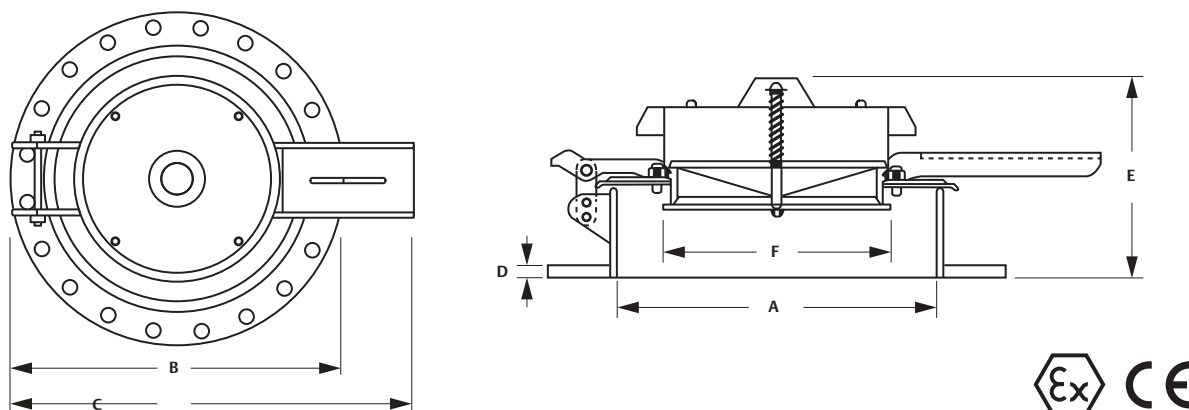


Figure 2. Enardo™ 2500 Series Dimensions

Table 2. Enardo 2500 Series Dimensions

MODEL	A (SIZE)		B1 (ANSI FLANGE O.D.)		B2 (API FLANGE O.D.)		C (OVERALL LENGTH)		D (FLANGE THICKNESS)		E (HEIGHT)		F (VACUUM PORT)		WEIGHT (CARBON STEEL) <sup>(1)</sup>		WEIGHT (STAINLESS STEEL) <sup>(1)</sup>	
	In.	mm	In.	mm	In.	mm	In.	mm	In.	mm	In.	mm	In.	mm	Lbs	kg	Lbs	kg
Enardo 2516	15-1/4	390	23-1/2	597	----	----	26-1/2	13	1/2	13	12-1/2	318	6-3/8	162	90	41	100	45
Enardo 2520	19-1/4	490	27-1/2	699	26	660	33-1/2	19	3/4	19	13-1/2	343	12	305	135	61	145	66
Enardo 2524	23-1/4	590	32	813	30	762	36-1/4	25	1	25	13-1/2	343	12	305	195	88	210	95

1. Unit weights indicate Net Weight of valve at standard set pressure (2.0 oz./sq. in. pressure), does not include shipping crate or box. Add 20% for gross shipping weight (Domestic Only). Pressure settings above the standard will increase total unit weight - consult factory for more information.

### Selection Guide to Enardo 2500 Series

ENARDO	<input type="text" value="2"/>	<input type="text" value="5"/>	<input type="text" value="1"/>	<input type="text" value="6"/>	-	<input type="text" value="1"/>	<input type="text" value="2"/>	<input type="text" value="1"/>	<input type="text" value="T"/>	-	<input type="text" value="1"/>	-	<input type="text" value="Z"/>	<input type="text" value="8"/>	/	<input type="text" value=".5"/>	-	<input type="text" value="1"/>
	Series	Connection Size	Base, Arm and Hood	Disk and Seal Support		Vacuum Pallet and Seat	Gasket Seal	Bolt Pattern	Pressure Settings	Vacuum Settings	Options							
		16, 20 and 24 in.	1 = Carbon steel 2 = 304 Stainless steel 3 = 316 Stainless steel 4 = Exotic	1 = Aluminum 2 = 316 Stainless steel 3 = Exotic		1 = Polyphenylene Sulfide (PPS) 2 = 316 Stainless steel 3 = Exotic	T = Teflon® N = Buna-N V = Viton® X = Special	1 = ANSI 2 = API	n = in. w.c. z = oz./sq. in. 4.0 to 16.0 oz./sq. in. (0.5 oz./sq. in. increments) 7.0 to 27.0 in. w.c. (0.5 in. w.c. increments) 17.4 to 67.2 mbar (2.2 mbar increments)	0.5, 0.75, 1.0 or 2.0 oz./sq.in.	1 = Special Coating 2 = Optional Hardware 3 = Other							

#### Example:

ENARDO     -     -  -   /  -

Indicates a 16 in. Emergency Pressure Relief Vent with Vacuum, carbon steel base, arm and hood, 316 Stainless steel disk and seal support, Polyphenylene Sulfide (PPS) vacuum pallet and seat, Teflon® pressure and vacuum seals, ANSI flange bolt pattern with 8 oz./sq.in. pressure setting and 0.5 oz./sq.in. vacuum setting. Option includes special coating.

Teflon® and Viton® are marks owned by E. I. du Pont de Nemours and Company.