

D104115X016

### Introduction

Enardo™ 950 pressure vacuum relief valves are designed with features to exceed the performance of standard valves on the market. Standard features include:

- The only dual guided (top and bottom) pallet for smoother valve stroke, less flutter and valve wear.
- Polyphenylene Sulfide (PPS), advanced composite thermoplastic material for seat and pallet providing superior resistance to corrosion, chemical attack, liquid and vapor adhesion, temperature extremes (-50 to 500°F) and sticking due to valve seat freeze.
- Fully field replaceable pallet and seat assemblies without need for special tools or complex procedures which eliminates the need to send out for rebuilding or total valve replacement. (Can be maintained by in house maintenance personnel).
- Optional Remote Monitoring provides open/closed position information that can be viewed from a control room, to facilitate troubleshooting and immediate problem identification.

The Enardo 950 vent-to-atmosphere design maintains a tight seal until system pressure or vacuum exceed the set pressure of the valve. When overpressure occurs the weighted pallet lifts, breaking the seal between the seat and pallet, allowing vapors to pass through the valve orifice and relieving the pressure or vacuum buildup. The valve reseals upon relief and remains sealed.

### Inlet Connection Sizes

2 to 12 in. / 50 to 300 mm

### Valve Setting Range

#### Pressure

0.5 to 32.0 oz./sq. in.  
(0.5 oz./sq. in. increments)  
1.0 to 55.0 in. w.c.  
(0.5 in. w.c. increments)  
2.0 to 138.0 mbar  
(2.2 mbar increments)  
5.0 to 1375 mm w.c.

#### Vacuum

0.5 to 32.0 oz./sq. in.  
(0.5 oz./sq. in. increments)  
1.0 to 55.0 in. w.c.  
(0.5 in. w.c. increments)  
2.0 to 138.0 mbar  
(2.2 mbar increments)  
5.0 to 1375 mm w.c.

### Construction Materials

#### Housing

Aluminum  
Ductile Iron  
Stainless Steel  
Carbon Steel

#### Seat/Pallet

Polyphenylene Sulfide (PPS)  
316 Stainless steel

#### Pallet Seal

FEP Teflon®  
Buna-N  
Viton®

#### Hardware

Zinc-plated carbon steel  
Stainless steel

#### Weight

Zinc-plated carbon steel  
Stainless steel  
Lead

#### Gasket

Buna-N  
Teflon®  
Viton®

### Additional Technical Data

For more technical information, contact your local Sales Office or log on to:

[www.enardo.com](http://www.enardo.com)



Figure 1. Enardo 950 High Performance PVRV Vent-to-Atmosphere

### Features

- **Advanced composite thermoplastic Polyphenylene Sulfide (PPS) materials for seat and pallet provide superior resistance to corrosion, chemical attack, liquid and vapor adhesion, temperature extremes (-50 to 500°F) and sticking due to valve seat freeze**
- **Enardo Saber® Guide valve system provides for smooth valve stroke during operation and reduces valve wear**
- **Exceeds the most stringent standards for allowable leakage (1 SCFH at 90% setpoint per valve) and provides excellent setpoint accuracy (+/-3%)**
- **Fully field replaceable pallet and seat assemblies.**
- **Available in ANSI, DIN and JIS flanges**
- **EN 13463-1 and EN 13463-5 Certified**
- **Optional Remote Monitoring**

Teflon® and Viton® are marks owned by E. I. du Pont de Nemours and Company.

# Enardo 950

High Performance PVRV Vent-to-Atmosphere

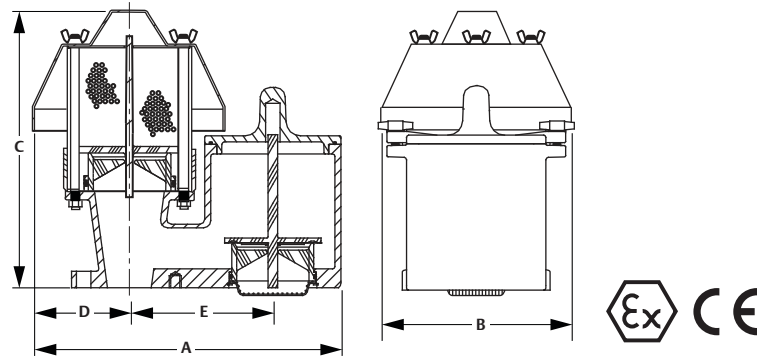


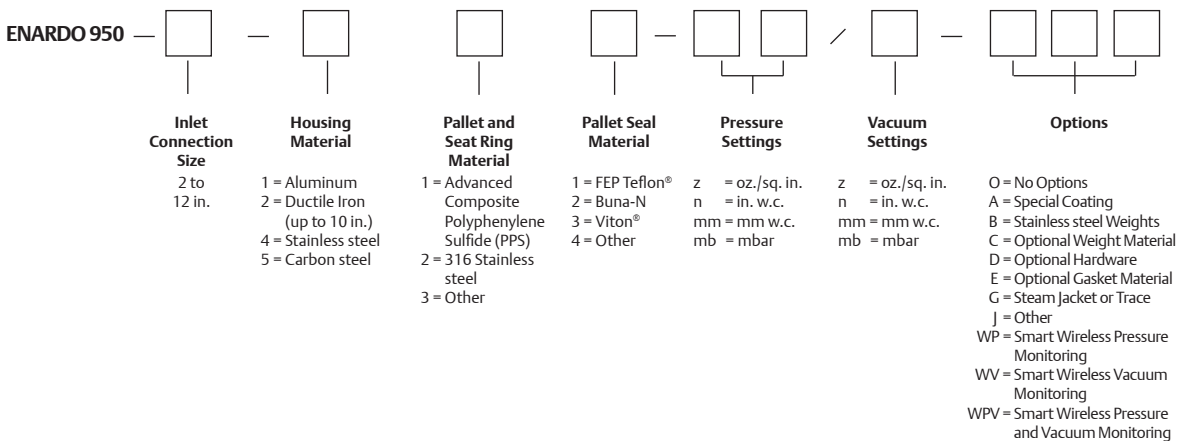
Figure 2. Enardo™ 950 Dimensions

Table 1. Enardo 950 Dimensions and Weights<sup>(1)</sup>

INLET CONNECTION		A (OVERALL LENGTH)		B (OVERALL WIDTH)		C (OVERALL HEIGHT)		D (CL INLET)		E (CL I/O)		WEIGHT (ALUMINUM)		WEIGHT (DUCTILE IRON)		WEIGHT (STAINLESS STEEL OR CARBON STEEL)	
In.	mm	In.	mm	In.	mm	In.	mm	In.	mm	In.	mm	Lb	kg	Lb	kg	Lb	kg
2	50	16	406	10	254	14-3/8	365	5	127	7-7/16	189	21	10	50	23	54	24
3	80	16	406	10	254	14-3/4	375	5	127	7-7/16	189	23	10	54	24	58	26
4	100	22-1/2	572	14	356	19-1/8	486	7	178	9-13/16	249	41	19	102	46	110	50
6	150	22-3/4	578	14	356	21-3/8	543	7	178	10	254	45	20	114	52	123	56
8	200	36-3/4	933	23	584	25-1/4	641	11-1/2	292	17-1/8	435	123	56	335	152	362	164
10	250	36-3/4	933	23	584	26-3/4	679	11-1/2	292	17-1/8	435	129	59	355	161	383	174
12	300	40-15/16	1040	23	584	34-3/4	883	11-1/2	292	19-1/16	484	144	65	379	172	405	184

1. Unit weights indicate Net Weight of valve in pounds at standard set pressure (0.5 oz./sq. in. pressure - 0.5 oz./sq. in. vacuum), does not include shipping crate or box. Add 20% for gross shipping weight (Domestic Only).

## Key to Enardo 950 Model Number



### Example:



Indicates a vent-to-atmosphere pressure vacuum relief valve with 4 in. inlet, ANSI 150 lb. flat face flange pattern connections, aluminum housing, advanced composite Polyphenylene Sulfide (PPS) pallet and seat ring and FEP Teflon® pallet seal. Pressure setting is 10 in. w.c. and vacuum setting is 6 in. w.c. Option includes special external epoxy coating.

Teflon® and Viton® are marks owned by E. I. du Pont de Nemours and Company.

