

FEATURES

- Reliability: long service life of 30 million cycles
- Choice of internal/external supply with selector seals (vacuum use to -0,950 bar)
- Modular assembly with joinable subbases
- Subbases with side or bottom ports

GENERAL

| | ISO 1 | ISO 2 | ISO 3 |
|----------------------------|---|---|--|
| Fluid | Air or neutral gas, filtered, lubricated or not | | |
| Operating pressure | -0,950 to +12 bar | | |
| | +3 to +10 bar (with internal differential supply) | | |
| | Can be used with vacuum -0,950 bar max. | | |
| Pilot pressure | See specifications table | | |
| Ambient temperature | -10°C to +60°C | | |
| Flow (Qv at 6 bar) | 1400 l/min (ANR) | 2800 l/min (ANR) | 4200 l/min (ANR) |
| Flow coefficients | | | |
| - conforming to ISO 6358 | | | |
| sonic conductance | C = 5,8 x 10 ⁻⁸ m ³ /s.Pa | C = 1,136 x 10 ⁻⁷ m ³ /s.Pa | C = 16 x 10 ⁻⁸ m ³ /s.Pa |
| absolute static pressure | b = 0,28 | b = 0,22 | b = 0,34 |
| - conforming to NF E29312 | | | |
| (l/min) | Kv = 20 | Kv = 37,5 | Kv = 60 |
| Life | 30 millions of cycles | | 15 millions of cycles |
| Base | ISO 5599/1 sizes 1-2-3 - AFNOR NF E49080 | | |
| Subbase | Single subbase ISO/AFNOR NF E49085 | | |
| | Joinable subbase ISO/VDMA 24345 | | |
| | Joinable subbase with integrated functions | | |



CONSTRUCTION

| | |
|----------------------------------|--------------------------------------|
| Cover | Painted steel |
| Pilot and return assembly | POM (polyacetal) |
| Seals | NBR (nitrile) and PUR (polyurethane) |
| Internal parts | POM (polyacetal), light alloy |

SPECIFICATIONS

| function symbol | operators | | size | pilot pressure (bar) | | catalogue number |
|-----------------|---|--------------|-------------------------|----------------------|------|----------------------------------|
| | pilot (14) | return (12) | | min. | max. | |
| | air operated | spring | ISO 1 ISO 2 ISO 3 | 3 | 12 | 54101017 54202017 54301017 |
| | air operated | differential | ISO 1 ISO 2 ISO 3 | 3 | 12 | 54101018 54202018 54301018 |
| | air operated | air | ISO 1 ISO 2 ISO 3 | 1,5 | 12 | 54101019 54202019 54301019 |
| | air operated pressure held W1 | | ISO 1 ISO 2 ISO 3 | 3 | 12 | 54101020 54202020 54301020 |
| | air operated pressure applied W2 | | ISO 1 ISO 2 ISO 3 | 3 | 12 | 54101022 54202022 54301022 |
| | air operated pressure release W3 | | ISO 1 ISO 2 ISO 3 | 3 | 12 | 54101021 54202021 54301021 |

OPTIONS

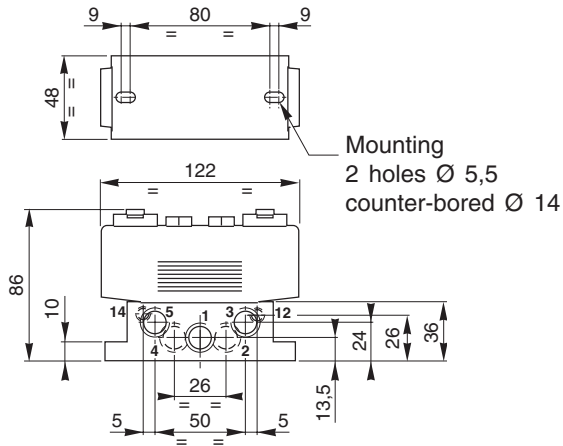
- Equipment with manual testers so that the spool position can be checked
- Equipment for use in potentially **explosive atmospheres** caused by dusts or gases (ATEX Directive 2014/34/EU)

| zones | classification | ATEX option catalogue number | | |
|-------|--------------------------------|------------------------------|--------|--------|
| | | ISO 1 | ISO 2 | ISO 3 |
| 2-22 | II 3GD c T 60°C T 85°C (T6) | 612027 | - | 612029 |
| 1-21 | II 2GD c IIC T 60°C T85°C (T6) | 612030 | 612090 | 612032 |

SUBBASES AND ACCESSORIES

DIMENSIONS (mm), WEIGHT (kg)

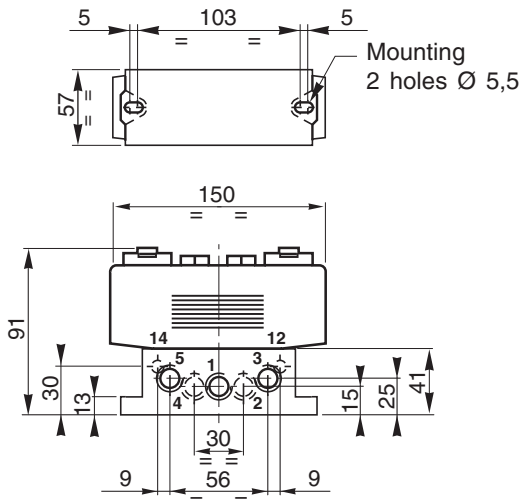
VALVES ON SINGLE SUBBASES
Side port - ISO 1



| subbase catalogue number | port orifices | | |
|--------------------------|---------------|-------|-------|
| | 12-14 | 1-2-4 | 3-5 |
| 35500076 | G 1/8 | G 1/4 | G 1/4 |
| 35500061 | | | G 3/8 |
| 35500382 | | G 3/8 | G 3/8 |

Total weight : 0,880

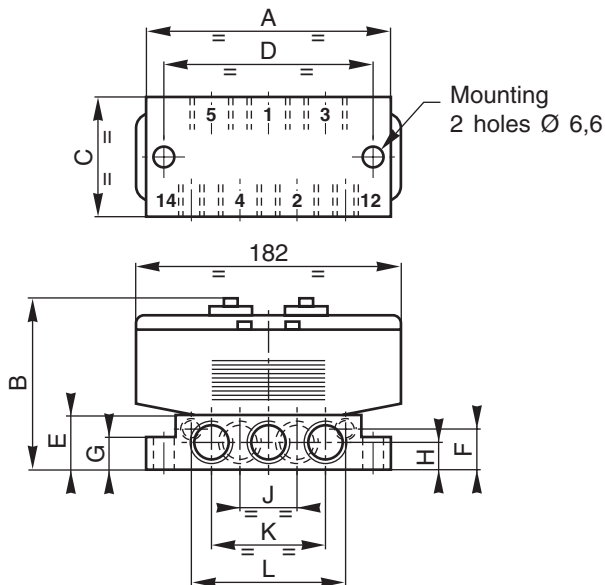
VALVES ON SINGLE SUBBASES
Side port - ISO 2



| subbase catalogue number | port orifices | | |
|--------------------------|---------------|-------|-------|
| | 12-14 | 1-2-4 | 3-5 |
| 35500560 | G 1/8 | G 3/8 | G 3/8 |
| 35500562 | | G 1/2 | G 1/2 |

Total weight : 1,200


VALVES ON SINGLE SUBBASES
Side port - ISO 3



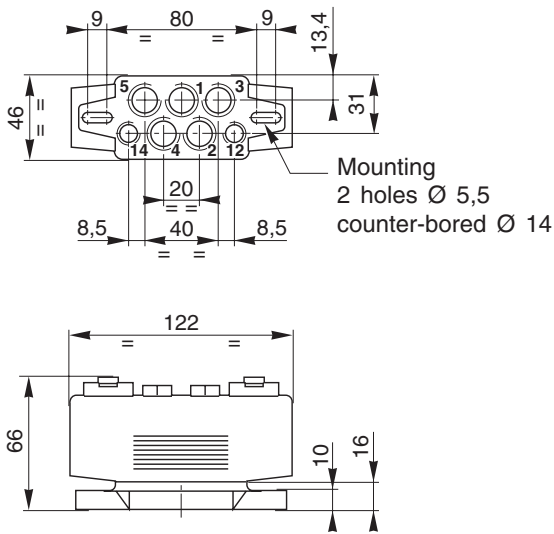
| subbase catalogue number | port orifices | | |
|--------------------------|---------------|-------|-------|
| | 12-14 | 1-2-4 | 3-5 |
| 35500171 | G 1/8 | G 1/2 | G 1/2 |
| 35500192 | | G 3/4 | G 3/4 |

Total weight : 1,400

| dimension | subbase | |
|-----------|---------|-------|
| | G 1/2 | G 3/4 |
| A | 149 | 149 |
| B | 99 | 117 |
| C | 71 | 71 |
| D | 136 | 136 |
| E | 32 | 50 |
| F | 22 | 40 |
| G | 18 | 18 |
| H | 17 | 20 |
| J | 32 | 36 |
| K | 68 | 80 |
| L | 90 | 92 |

DIMENSIONS (mm), WEIGHT (kg) 

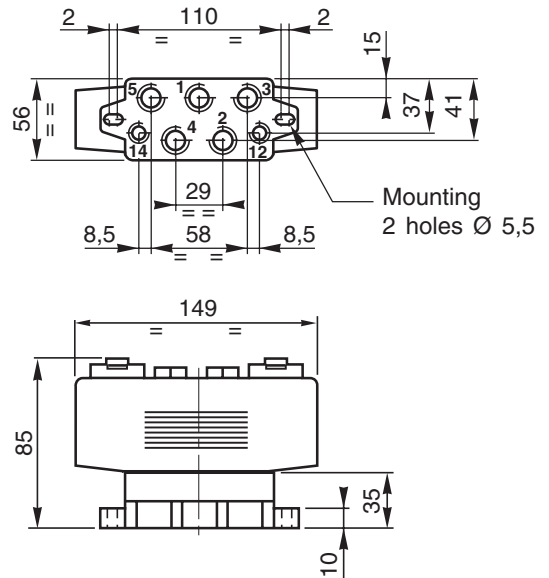
VALVES ON SINGLE SUBBASES
Bottom port - ISO 1



| subbase catalogue number | port orifices | | |
|--------------------------|------------------|--------|-------|
| | 12-14 | 1-2-4 | 3-5 |
| 35500077 | G 1/8 | G 1/4 | G 1/4 |
| 35500069 | instant fittings | | G 1/4 |
| | Ø 4 OD | Ø 8 OD | |

Total weight : 0,500

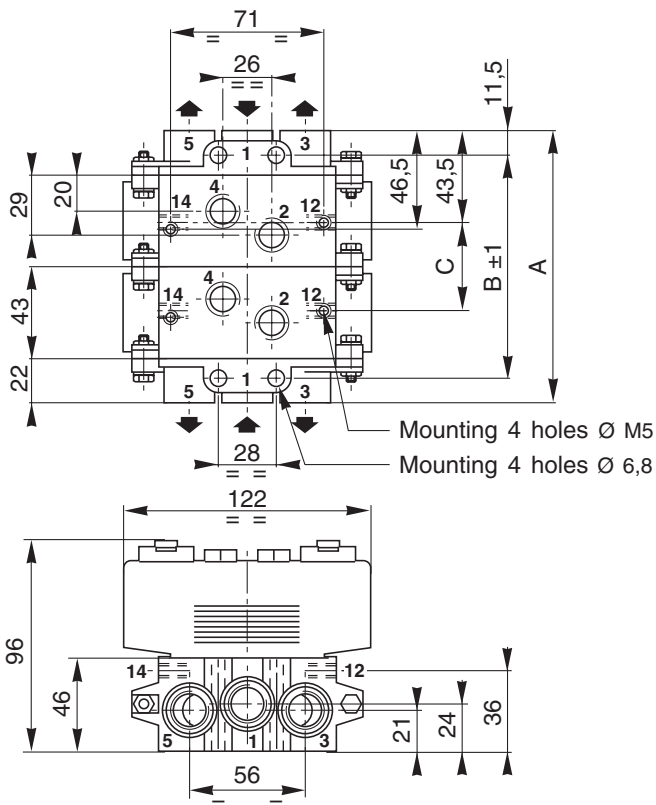
VALVES ON SINGLE SUBBASES
Bottom port - ISO 2



| subbase catalogue number | port orifices | | |
|--------------------------|---------------|-------|-------|
| | 12-14 | 1-2-4 | 3-5 |
| 35500085 | G 1/8 | G 3/8 | G 3/8 |

Total weight : 1,150

SPOOL VALVES ON METALLIC JOINABLE SUBBASES
Bottom port - ISO 1



| | catalogue number | port orifices | | |
|--------------|------------------|---------------|-------|-------|
| | | 12-14 | 2-4 | 1-3-5 |
| subbase | 35500165 | G 1/8 | G 1/4 | - |
| 2 end plates | 35500166 | - | - | G 3/8 |

Set of end plates supplied with 3 plugs G 3/8 (for 1-3-5)

| number of subbases | A | B±1 | C | weight |
|--------------------|-----|-----|-----|--------|
| 3 | 173 | 150 | 86 | 2,150 |
| 4 | 216 | 193 | 129 | 2,800 |
| 5 | 259 | 236 | 172 | 3,450 |
| 6 | 302 | 279 | 215 | 4,100 |
| 7 | 345 | 322 | 258 | 4,750 |
| 8 | 388 | 365 | 301 | 5,400 |

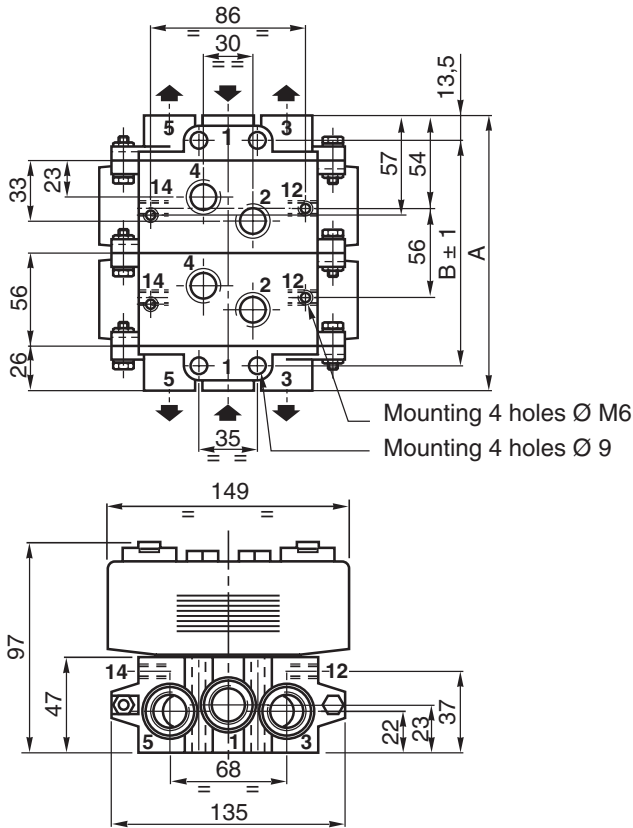
Weight : spool valves + subbases + end plates

00391GB-2017/R01
Availability, design and specifications are subject to change without notice. All rights reserved.

DIMENSIONS (mm), WEIGHT (kg)

SPOOL VALVES ON METALLIC JOINABLE SUBBASES

Bottom port - ISO 2



| | catalogue number | port orifices | | |
|--------------|------------------|---------------|-------|-------|
| | | 12-14 | 2-4 | 1-3-5 |
| subbase | 35500169 | G 1/8 | G 3/8 | - |
| 2 end plates | 35500170 | - | - | G 1/2 |

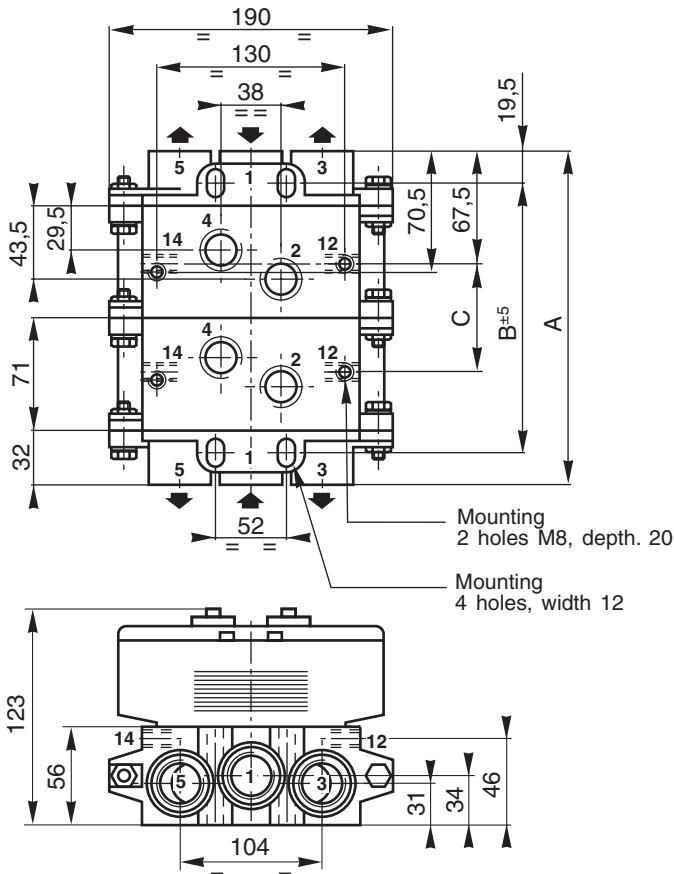
Set of end plates supplied with 3 plugs G 1/2 (for 1-3-5)

| number of subbases | A | B±1 | weight |
|--------------------|-----|-----|--------|
| 3 | 220 | 193 | 4,500 |
| 4 | 276 | 249 | 6,100 |
| 5 | 332 | 305 | 7,700 |
| 6 | 388 | 361 | 9,300 |
| 7 | 444 | 417 | 9,900 |
| 8 | 500 | 473 | 10,500 |

Weight : spool valves + subbases + end plates

SPOOL VALVES ON METALLIC JOINABLE SUBBASES

Bottom port - ISO 3



| | catalogue number | port orifices | | |
|--------------|------------------|---------------|-------|-------|
| | | 12-14 | 2-4 | 1-3-5 |
| subbase | 35500173 | G 1/8 | G 1/2 | - |
| 2 end plates | 35500174 | - | - | G 1 |

Set of end plates supplied with 3 plugs G 1 (for 1-3-5)

| number of subbases | A | B±1 | C | weight |
|--------------------|-----|-----|-----|--------|
| 2 | 206 | 167 | 71 | 3,900 |
| 3 | 277 | 238 | 142 | 5,500 |
| 4 | 348 | 309 | 213 | 7,100 |
| 5 | 419 | 380 | 284 | 8,700 |
| 6 | 490 | 451 | 355 | 10,300 |
| 7 | 561 | 522 | 426 | 11,900 |

Weight : spool valves + subbases + end plates