

PRESENTATION

- This accessory is designed for the Modulair 160 range and contributes to having machinery and installations comply with European directives.
- Isolation or exhaust by manual control.
- Manual downstream air shutoff on machinery and systems. Installation upstream of FRL unit.
- Locks pressurisation of the installation after a manual shutoff in padlocked position.
- Air flow direction indicated by arrow (►).

OVERALL SPECIFICATION

FLUID	: Compressed air
PORTS	: G 3/4 - G 1 1/2 (exhaust port: G 1/4)
MAX. PRESSURE	: 17,5 bar
MAX. FLOW (1 to 2)	: Full flow valve
DRAIN RATE	: 650 l/min at 6 bar
DRAIN TIME (2 to 3)	: 28 s (for a 10-litre capacity)

CONSTRUCTION

Aluminium body

CHOICE OF EQUIPMENT

description	port sizes	code
Manually operated, padlockable Modulair 160 range 3/2 isolation valve	G 3/4	34307001
	G 1	34307002
	G 1 1/4 (1)	34307003
	G 1 1/2 (1)	34307004

(1) The G 1 1/4 and G 1 1/2 versions are composed of a G 1 version + 1 set of 2 G 1 1/4 or G 1 1/2 flanges (1 connecting flange for each end of each component). When assembling several components together (FRL, isolation valve etc...), select G 1 components and provide for 1 set of G 1 1/4 or G 1 1/2 flanges (see "Accessories" pages)

OPTIONS

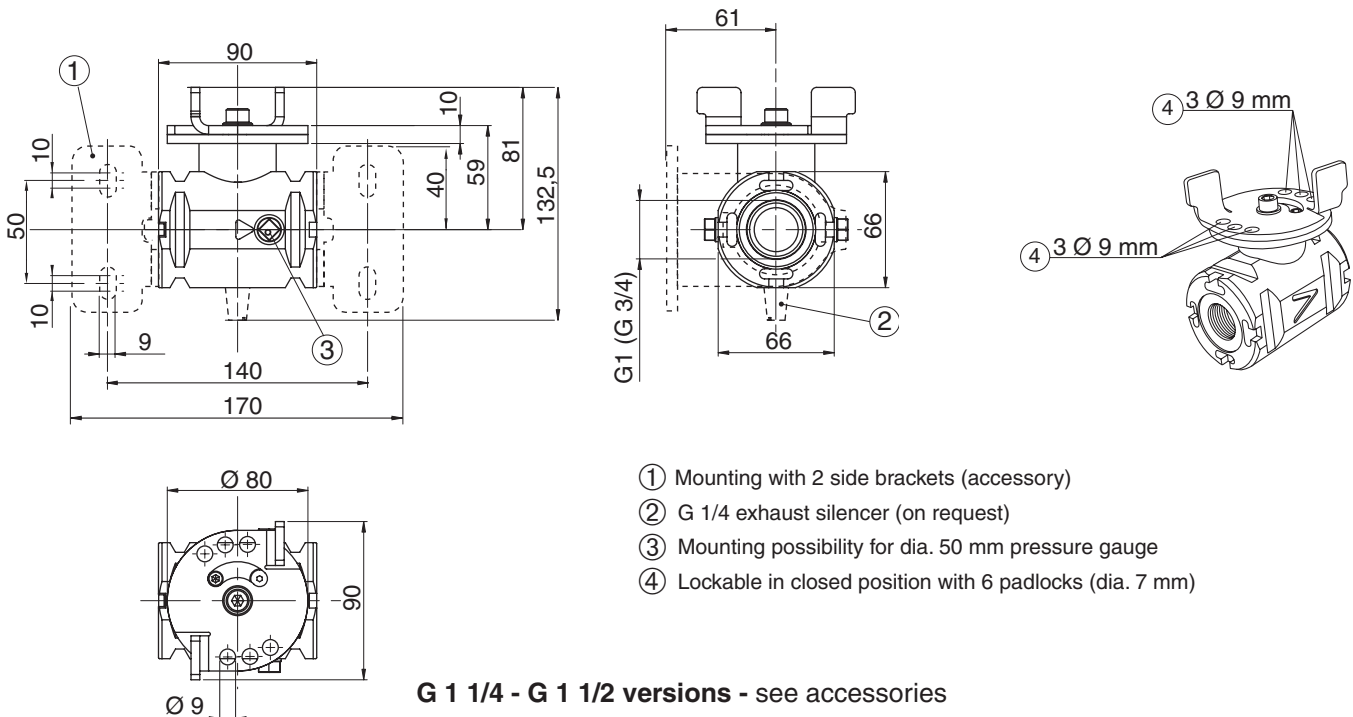
G 3/4 valve designed for the installation of a pressure gauge, code: **662573**

G 1 valve designed for the installation of a pressure gauge, code: **662572**

ACCESSORIES (see following pages)

DIMENSIONS AND WEIGHTS - G 3/4 - G 1 VERSIONS

Weight: 1,2 kg



- ① Mounting with 2 side brackets (accessory)
- ② G 1/4 exhaust silencer (on request)
- ③ Mounting possibility for dia. 50 mm pressure gauge
- ④ Lockable in closed position with 6 padlocks (dia. 7 mm)

G 1 1/4 - G 1 1/2 versions - see accessories