



### OVERALL SPECIFICATION

FLUID	: Compressed air or neutral gas <b>The compressed air used must be dry to prevent ice buildup</b>
PORTS	: G 3/4 to G 1 1/2
MAX. INLET PRESSURE at 23°C	: 17,5 bar
at 50°C	: 12 bar
AMBIENT TEMPERATURE	: -10°C to +50°C
MAX. FLOW	
(P1=10 bar and P2=6,3bar - ΔP=1 bar)	: G 3/4 = 16000 l/mn - G 1 = 17700 l/mn
MIN. START POINT	: See table below
LUBRICATION	: Selective oil fog

### CONSTRUCTION

Lubricator oil refilling pressurised/unpressurised  
Aluminium body  
Metal bowl with polypropylene oil level viewing window

### CHOICE OF EQUIPMENT

port size	bowl capacity (cm <sup>3</sup> )	max. oil capacity (cm <sup>3</sup> )	maximum flow (ANR) at 6,3 bar inlet pressure 6,3 bar				code
			min. (1)		max.		lubricator
			(l/min)	(dm <sup>3</sup> /s)	(l/min)	(dm <sup>3</sup> /s)	
G 3/4	520	500	90	1,5	16000	268	<b>34207233</b>
G 1	520	500	90	1,5	17000	284	<b>34207234</b>
G 1 1/4 <sup>(2)</sup>	520	500	90	1,5	17000	284	<b>34207235</b>
G 1 1/2 <sup>(2)</sup>	520	500	90	1,5	17000	284	<b>34207236</b>

(1) Minimum for lubricator startup

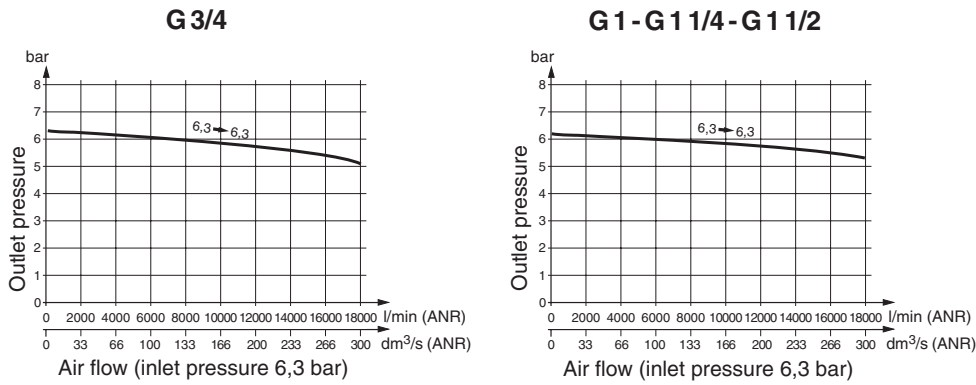
(2) The G 1 1/4 and G 1 1/2 versions are composed of a G 1 version + 1 set of 2 G 1 1/4 or G 1 1/2 flanges (1 connecting flange for each end of each component). When assembling several components together (FRL, isolation valve etc...), select G 1 components and provide for 1 set of G 1 1/4 or G 1 1/2 flanges ([see "Accessories" pages](#))

### OTHER PRODUCT OPTION

- [By-pass module](#)



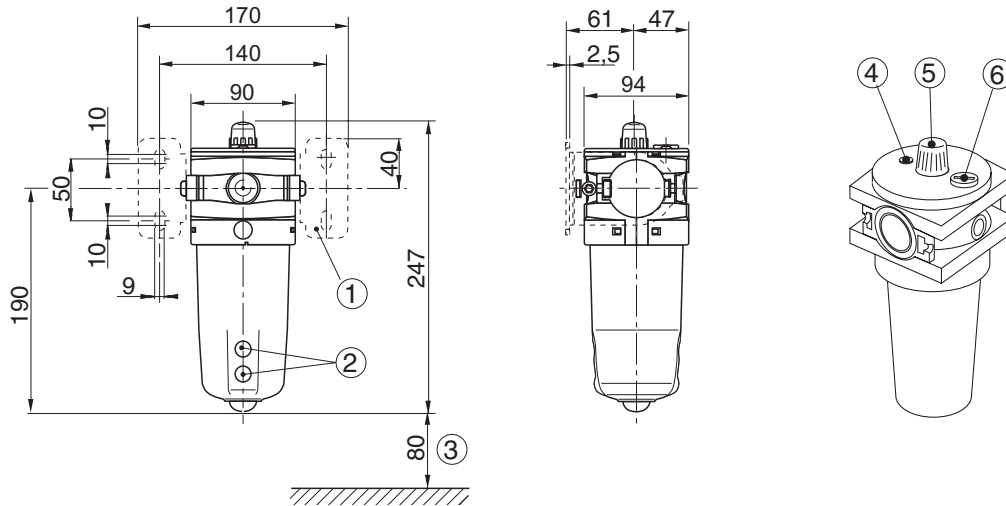
**PRESSURE LOSS VERSUS AIR FLOW CURVES**



**DIMENSIONS AND WEIGHTS - G 3/4 - G 1 VERSIONS**

Weight: 0,8 kg

Mounting with side brackets



**G 1 1/4 - G 1 1/2 versions - see accessories**

- ① Mounting with 2 side brackets (accessory)
- ② Condensate level window
- ③ Clearance required for bowl removal
- ④ Oil flow adjustment screw
- ⑤ Sight dome
- ⑥ In service/out of service filler plug

**INSTALLATION AND MAINTENANCE**

Products must be installed with the bowls in vertical position (at the bottom).

Air flow direction indicated by arrow (►)

Recommended type of oil: non-detergent and without aggressive additives, viscosity VG32 (ISO 3448).

Adjust oil flow. Adjustment sight glass.

**Use an alkaline solution (soapy water) and not a solvent for cleaning the polycarbonate bowls and sight glasses.**