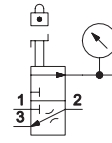


## SHUT OFF ISOLATION VALVE

- Robust and easy-to-operate shut-off valve, with lockout (front or back) on handle
- Provides shut off to downstream machinery
- Optional low profile integrated gauge provides clear indication of the downstream pressure, and when the downstream components can be safely removed when pressure (P2) is at zero
- Available as 3/2 or 2/2 construction
- Threaded ports allow for individual or modular mounting

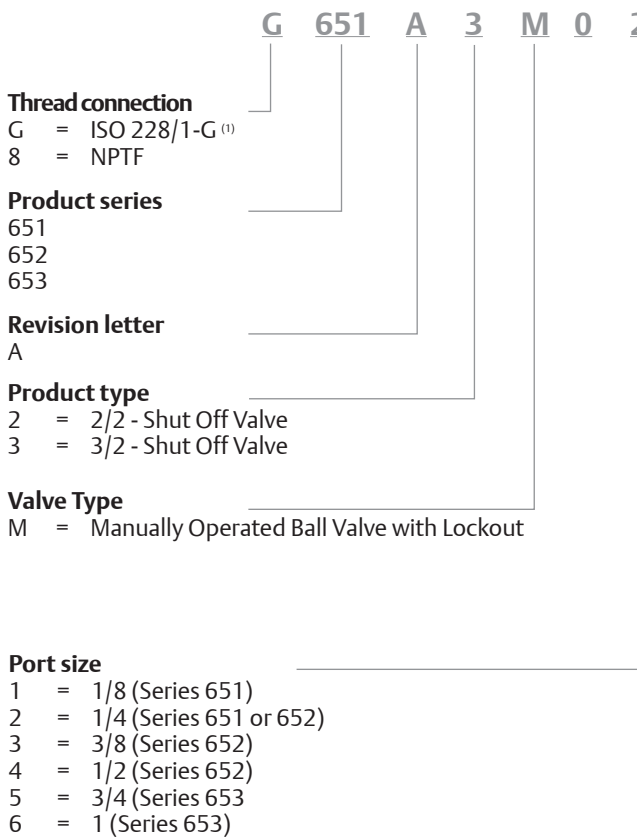


Performance Data							
Series	651		652		653		
Port sizes	1/8, 1/4		1/4, 3/8, 1/2		3/4, 1		
Thread type	G (NPTF in option)						
Nominal flow - ISO 6358  P1 = 6.3 bar ΔP = 1 bar	l/min (ANR)						
		1 → 2	2 → 3	1 → 2	2 → 3	1 → 2	2 → 3
	1/8	1440	250	-	-	-	-
	1/4	4720	250	4300	230	-	-
	3/8	-	-	8800	230	-	-
	1/2	-	-	11400	230	-	-
	3/4	-	-	-	-	33000	300
1	-	-	-	-	51900	300	
Maximum inlet pressure (bar)	16				20		
Ambient temperature range (°C)	-10 to +50						
Fluid temperature range (°C)	-10 to +50						
Fluid	air or inert gas						
Weight (kg)	0.260		0.438		0.943		

Materials in contact with fluid	
Body	Aluminium
Ball	Chrome-plated brass
Seat	PTFE
Seals	NBR/FPM

01808GB-2020/R01  
Availability, design and specifications are subject to change without notice. All rights reserved.

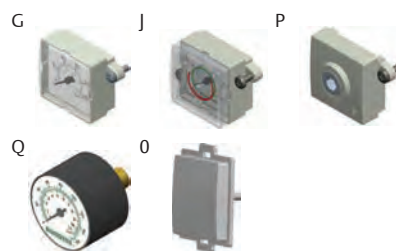
## How to Order - Shut Off Isolation Valve



Configurator - CAD Files



**Gauge type**  
G = Low profile integrated gauge bar/PSI  
J = Low profile integrated gauge bar/PSI with pressure range indicators  
Q = Round gauge bar/PSI  
0 = No gauge port  
P = Port Plate Rc 1/8



<sup>(1)</sup> Conforms to ISO standards 1179-1.

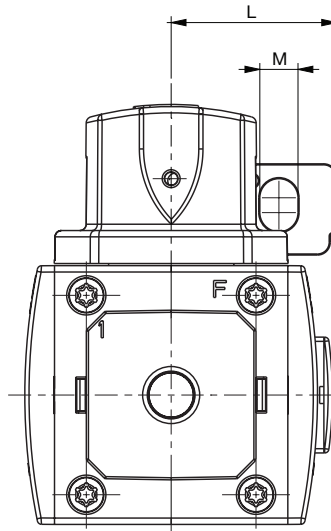
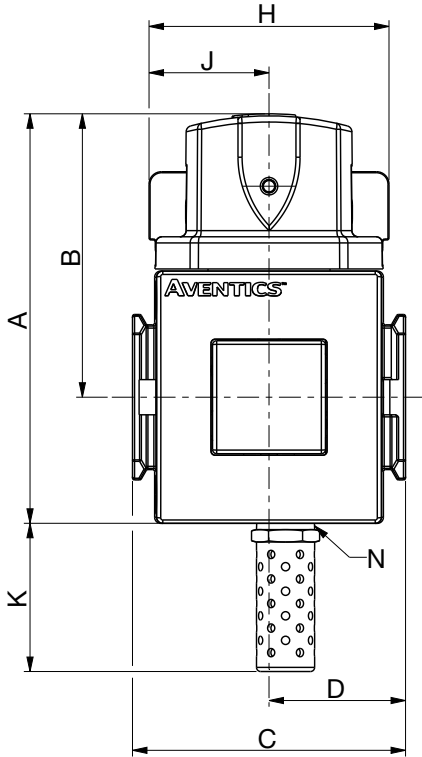
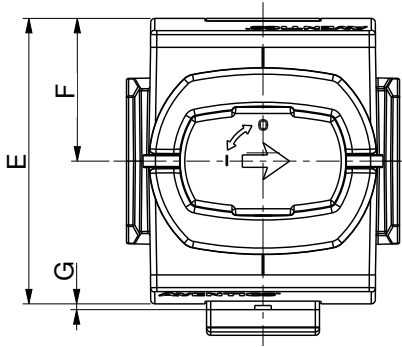
<sup>(2)</sup> If multiple options are required, please use the on-line CAD configurator on the website to generate the part number ([www.emerson.com](http://www.emerson.com)).

SERIES

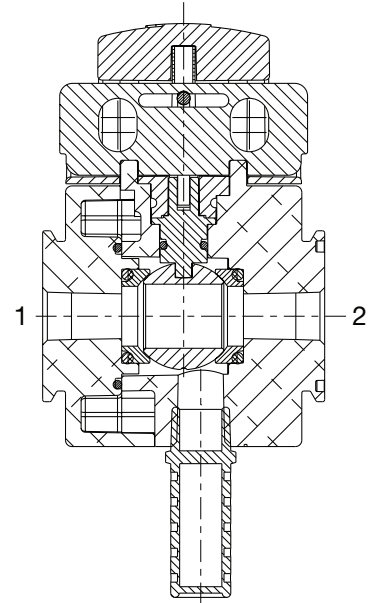
# 651/652/653

Dimensions : mm - Series 651/652/653 Shut Off Isolation Valve

Configurator - CAD Files



Cross Section - Series 651/652/653 Shut Off Isolation Valve



	A	B	C	D	E	F	G	H	J	K	L	M	N
<b>651</b>	90.5	65.5	50	25	58	29	4.4	58	29	35.5	38	9	G 1/4
<b>652</b>	99	68	66	33	69	34.5	2.5	58	29	35	38	9	G 1/4
<b>653</b>	120	79	90	45	93	46.5	1.9	58	29	46.7	38	9	G 3/8

01808GB-2020/R01  
Availability, design and specifications are subject to change without notice. All rights reserved.