

GENERAL

FLUID	: air or neutral gas, filtered, lubricated or not
PRESSURE	: 2 to 10 bar (Pilot 190) 2 to 12 bar (Pilot 192)
MAX. ALLOW. TEMPERATURE	: -10°C to +60°C
FLOW (Qv at 6 bar)	: see table below
PILOT PRESSURE	: In external supply, the pressure of the pilot fluid must be at least equal to the fluid pressure

CONSTRUCTION

Series 284

Body: die-casting zinc alloy
Sealing: nitrile (NBR)
and polyurethane (PUR)
Internal parts: light alloy
and acetal resin (POM)

Series 285/286

Body and internal parts : light alloy
Sealing : nitrile (NBR)



ELECTRICAL CHARACTERISTICS OF PILOTS

Type of sol. valve		Voltages	Consumption		Insulation class	Protection degree	Electrical connection
			Inrush	Hold			
Series 190	~	24V - 48V - 115V - 230V / 50 Hz	9VA	4VA (3W)	F	IP 65	spade plug size 30 connector, ISO4400/EN175301-803, form A, rotatable by 90°
	=	24V - 48V	3 W				
Series 192	~	24V - 48V - 115V - 230V / 50 Hz	12VA	6VA(4W)	F	IP 65	
	=	24V - 48V	5 W				

The solenoid valve 190 is dual voltage (24 V~, 12 V=) (48V~, 24V=) (115 V~, 48 V=) (230 V~, 115 V=)

SPECIFICATIONS

NC FUNCTION

Pipe size		Orifice size (mm)	Flow		2 catalogue numbers		(M)	Reference
1 and 2	3		at 6 bar l/min (ANR)	Coeff. KV	VALVE	PILOT with standard connector		
G 3/8	G 1/2	12	4500	64	28490040	+ 19000005 19000006 19000017 - 19201001 19201002 19201003	×	-
G 1/2	G 1/2	15	6000	85	28490041			●
G 3/4	G 1	26	12500	180	28590238		▼	G/DH 304/O
G 1	G 1	26	12500	180	28590239		×	G/DH 305/O
G 1 1/4	G 1 1/2	40	35000	500	28690025 *		●	GDM/DH 306/O
G 1 1/2	G 1 1/2	40	35000	500	28690026 *		▼	GDM/DH 307/O

NO FUNCTION

G 3/8	G 1/2	12	4500	64	28490042	+ 19000005 19000006 19000017 - 19201001 19201002 19201003	×	-
G 1/2	G 1/2	15	6000	85	28490043			●
G 3/4	G 1	26	12500	180	28590240		▼	G/DH 304/F
G 1	G 1	26	12500	180	28590241		×	G/DH 305/F
G 1 1/4	G 1 1/2	40	35000	500	28690027 *		●	GDM/DH 306/F
G 1 1/2	G 1 1/2	40	35000	500	28690028 *		▼	GDM/DH 307/F

(M) Type of manual operator on pilot(s): × : without ● : maintained ▼ : impulse

*This equipment is always supplied with an intermediate amplifier for valves 3/2 - Ø 8 mm, Series 261 (26190067)

OPTIONS

- Other voltages or 60Hz frequency on request
- Applications as a valve 2/2 (NC or NO), 3/2 with an amplifier, 3/2 or with pressure selection (can be used with vacuum - cat no. **28490027**)
- [Solenoid pilot 190 with solenoid head for dusty explosive atmospheres \(SG\), zone 22](#)
- [Connector with cable outlet, 2 m long](#) : cat no. **88122612**
- [Connector with transil protection \(see "Coils and Accessories" section\)](#)
- Solenoid valve with connector and built-in visual indicator and protection :

Solenoid valve **without** connector + Connector with built-in visual indicator and RC protection

Type of solenoid valve	(M)	catalogue number of solenoid valve without connector	catalogue number			
			24 V (~/=)	48 V (~/=)	115 V (~/=)	230 V (~/=)
190 NC	×	19000013	88122603	88122604	88122605	88122608
	●	19000014				
	▼	19000018				
192 NC (1)	×	19201022				
	●	19201023				
	▼	19201024				

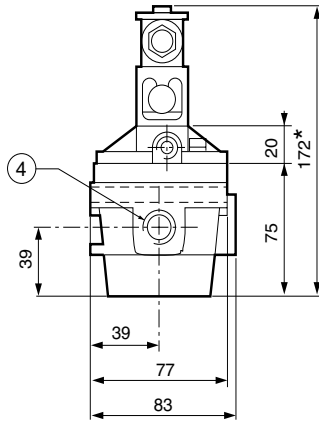
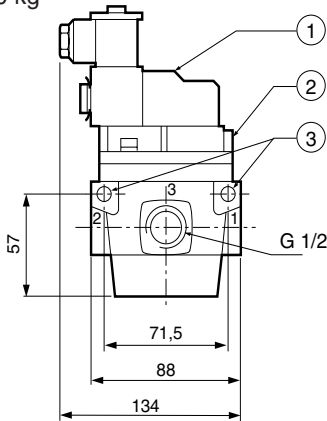
(M) Type of manual operator on pilot(s) : × : without ● : maintained ▼ : impulse

(1) Solenoid valve series 192 - 3/2 NC - Ø 2.1mm with exhaust in subbase

DIMENSIONS AND WEIGHTS

VALVE Series 284

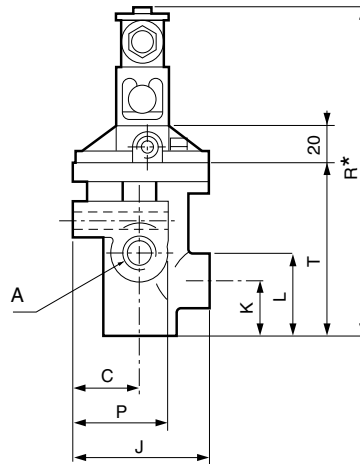
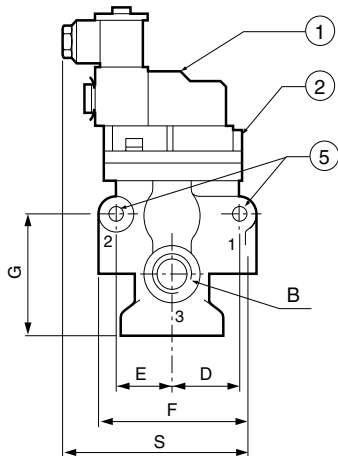
Weight : 1,1700 kg



- ① Manual operator
- ② Orifice G 1/8 for external supply
- ③ Side mounting : 2 Ø 9
- ④ 2 Ø G 3/8 or G 1/2
- ⑤ Side mounting : 2 Ø N

* + 15 mm for plug removal

VALVE Series 285 - 286



Orifices 1 & 2 Ø A	Orifices 3 Ø B	C	D	E	F	G	J	K		L	ØN	P	R	S	T	⚖ (kg)
								NC	NO							
G 3/4 G 1	G1	39	43,5	39	113	91	92	88	45	67	9	62	223	149	126	1,450
G 1 1/4 G 1 1/2	G1 1/2	46	66,5	52	165	130	124	124	64	94	13	78	333	176	207	4,150