

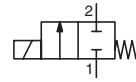
ASCO™ SOLENOID VALVES

FOR HOT WATER/STEAM APPLICATIONS

DIRECT OPERATED, 1/4 - 3/8 TAPPED

2/2 NC
SERIES
263

- Direct acting valves with stainless steel seat ensure a long continuous cycling life in severe steam applications
- The solenoid valves have forged brass bodies, compact design, to minimize heat radiation parts
- Valves do not require a minimum operating pressure
- RoHS compliance
- Compliance with UL and CSA standards
- The solenoid valves satisfy all relevant EU Directives



| General | | |
|-----------------------|--|--------------------|
| Differential pressure | See «SPECIFICATIONS» [1 bar = 100 kPa] | |
| Response time | 5 - 25 ms | |
| fluids (*) | temperature range (TS) | seal materials (*) |
| hot water, steam | -20°C to +160/165°C | PTFE |

| Materials in contact with fluid | |
|---|----------------------------|
| (*) Ensure that the compatibility of the fluids in contact with the materials is verified | |
| Body | Brass |
| Shading coil | Copper |
| Core tube | Stainless steel, AISI 305 |
| Core and plugnut | Stainless steel, AISI 430F |
| Springs | Stainless steel, AISI 302 |
| Seal | PTFE |
| Disc | PTFE |

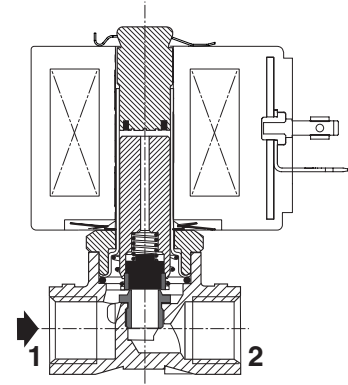
| Electrical characteristics | |
|---------------------------------------|--|
| Coil insulation class | H (AC) |
| Connector | Spade plug (cable Ø 6-10 mm) |
| Connector specification | ISO 4400 / EN 175301-803, form A |
| Electrical safety | IEC 335 |
| Electrical enclosure protection | Moulded IP65 (EN 60529) |
| Standard voltages | AC (~) : 24V - 48V - 115V - 230V/50 Hz |
| (Other voltages and 60 Hz on request) | |

| operator ambient temperature range (TS) (°C) | power ratings | | | replacement coil ⁽¹⁾ | |
|---|---------------------|----------------------|----------------------|---------------------------------|--------------|
| | inrush ~ (VA) | holding ~ (VA) | hot/cold = (W) | ~ 230 V/50 Hz | = 24 V DC |
| 0 to +55 | 50 | 25 | 10,1 | - | - |

⁽¹⁾ All 238 basic numbers are UL & CSA approved and marked with the UR (recognised component) & CSA logos.

Options

Connector with visual indication and peak voltage suppression or with cable length of 2 m (www.asco.com)



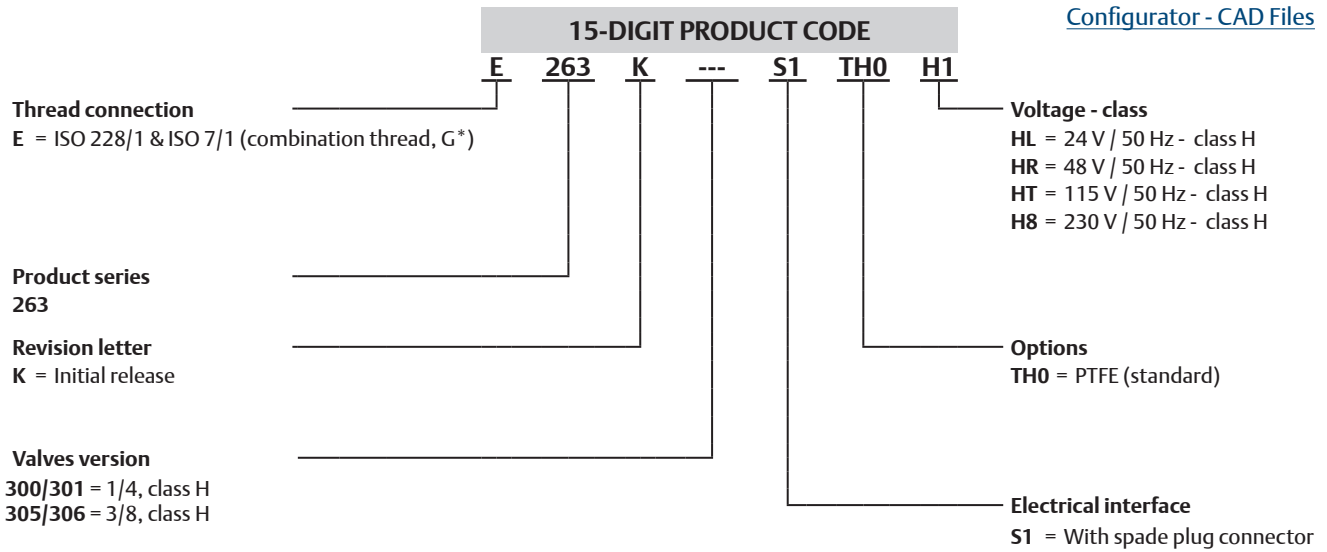
Specifications

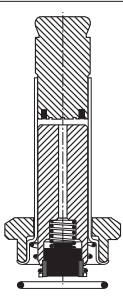
| pipe size | orifice size (mm) | flow coefficient Kv (m ³ /h) (l/min) | | operating pressure differential (bar) | | | max. fluid temp. (°) | class | power coil (W) | thread type | dimensions / type (V) | 15-DIGIT PRODUCT CODE | | | | | | |
|--------------------------------|----------------------|--|------|---------------------------------------|-----------|--------------------------|-------------------------|-------|----------------|-------------|-----------------------|-----------------------|--------------|------------|-------------|-------------|---|---|
| | | | | min. | max. (PS) | | | | | | | brass | voltage code | | | | | |
| | | | | | steam (*) | water (*) ⁽²⁾ | | | | | | | 24 V/50 Hz | 48 V/50 Hz | 115 V/50 Hz | 230 V/50 Hz | . | . |
| | | | | ~ | ~ | ~ | | | | | | ~ | ~ | ~ | ~ | ~ | | |
| Without manual operator | | | | | | | | | | | | | | | | | | |
| NC - Normally closed | | | | | | | | | | | | | | | | | | |
| 1/4 | 4 | 0,45 | 7,5 | 0 | 7,6 | 14,5 | 165 | H | 10,1 | G* | 01 | E263K300S1TH0 | HL | HR | HT | H8 | - | - |
| | 5,6 | 0,63 | 10,5 | 0 | 4,8 | 6,6 | 160 | H | 10,1 | G* | 01 | E263K301S1TH0 | HL | HR | HT | H8 | - | - |
| 3/8 | 4 | 0,45 | 7,5 | 0 | 7,6 | 13,8 | 165 | H | 10,1 | G* | 01 | E263K305S1TH0 | HL | HR | HT | H8 | - | - |
| | 5,6 | 0,63 | 10,5 | 0 | 4,8 | 6,6 | 160 | H | 10,1 | G* | 01 | E263K306S1TH0 | HL | HR | HT | H8 | - | - |

⁽¹⁾ For dimensions, see drawing(s) for each construction type on the following page(s).

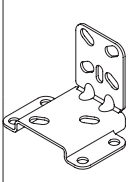
⁽²⁾ Water temperature should not exceed 100°C.

(*) Ensure that the compatibility of the fluids in contact with the materials is verified.



| Spare parts kits no. (*) | | | |
|---|----------|---------|------|
| AC (~) | | | |
| | | | PTFE |
|  | E263K300 | M200045 | TH0 |
| | E263K301 | M200050 | TH0 |
| | E263K305 | M200045 | TH0 |
| | E263K306 | M200050 | TH0 |

(*) Ensure that the compatibility of the fluids in contact with the materials is verified.

| | | Accessories code |
|---|--|------------------|
|  | Mounting bracket Steel version (AISI 1010 / 1.1121) | M200094A00 |
| | Mounting bracket Stainless steel version (AISI 304 / 1.4301) | M200095A00 |

Installation

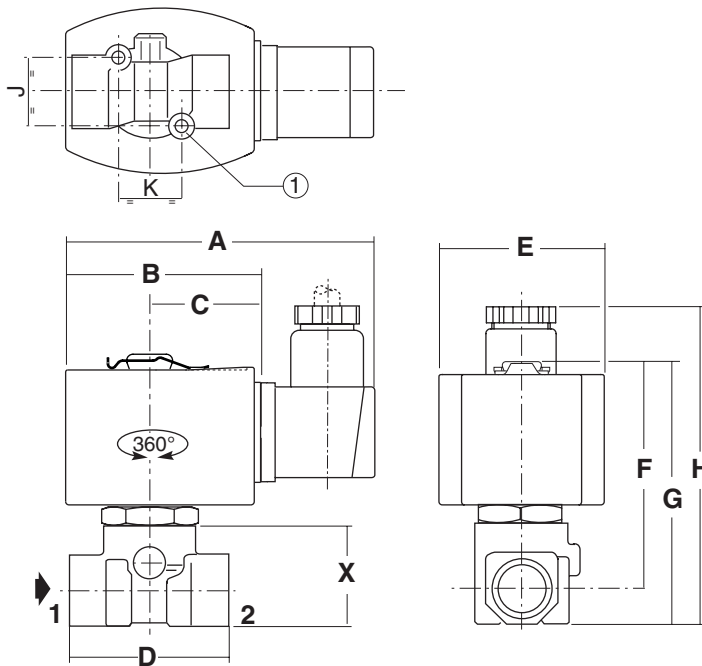
- The solenoid valves can be mounted in any position without affecting operation
- Solenoid valves have 2 mounting holes in body
- Thread connection “E” have standard thread according to ISO 228/1 and ISO 7/1
- Installation/maintenance instructions are included with each valve

Dimensions (mm), Weight (kg)

[Configurator - CAD Files](#)



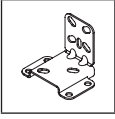
TYPE 01
Electrical interface “S1”
Epoxy moulded
IEC 335 / ISO 4400
IP65



| type | pipe size | A | B | C | D | E | F | G | H | X | weight ⁽¹⁾ |
|------|-----------|----|----|----|----|----|----|----|----|----|-----------------------|
| 01 | 1/4 | 95 | 57 | 33 | 40 | 50 | 65 | 75 | 92 | 30 | 0,61 |
| | 3/8 | 95 | 57 | 33 | 48 | 50 | 64 | 76 | 93 | 32 | 0,63 |

① 2 mounting holes M5 dia., depth 6 mm.

⁽¹⁾ Incl. coil(s) and connector(s).



Mounting bracket
Steel or stainless steel

M200094A00 / M200095A00

