

**FEATURES**

- Reliability: long service life of 30 million cycles
- Choice of internal/external supply with selector seals (vacuum use to -0,950 bar)
- Modular assembly with joinable subbases
- Subbases with side or bottom ports

**GENERAL**

	ISO 1	ISO 2	ISO 3
Fluid	Air or neutral gas, filtered, lubricated or not		
Operating pressure	- 0,950 to +12 bar		
	+3 to +10 bar (with internal differential supply)		
	Can be used with vacuum - 0,950 bar max.		
Pilot pressure	See specifications table		
Ambient temperature	- 10°C to +60°C		
Flow (Qv at 6 bar)	1400 l/min (ANR)	2800 l/min (ANR)	4200 l/min (ANR)
Flow coefficients			
- conforming to ISO 6358			
sonic conductance	C = 5,8 x 10 <sup>-8</sup> m <sup>3</sup> /s.Pa	C = 1,136 x 10 <sup>-7</sup> m <sup>3</sup> /s.Pa	C = 16 x 10 <sup>-8</sup> m <sup>3</sup> /s.Pa
absolute static pressure	b = 0,28	b = 0,22	b = 0,34
- conforming to NF E29312			
(l/min)	Kv = 20	Kv = 37,5	Kv = 60
Life	30 millions of cycles		15 millions of cycles
Base	ISO 5599/01 sizes 1-2-3 - AFNOR NF E49080		
Subbase	Single subbase ISO/AFNOR NF E49085		
	Joinable subbase ISO/VDMA 24345		
	Joinable subbase with integrated functions		



**D**

**CONSTRUCTION**

Cover	Painted steel
Pilot and return assembly	POM (polyacetal)
Seals	NBR (nitrile) and PUR (polyurethane)
Internal parts	POM (polyacetal), light alloy

**SPECIFICATIONS**

function symbol	operators		size	pilot pressure (bar)		catalogue number with manual testers (ISO1-2) without manual testers (ISO3)
	pilot (14)	return (12)		min.	max.	
	air operated	spring	ISO 1 ISO 2 ISO 3	3	12	<b>54101001</b> <b>54202001</b> <b>54301017</b>
	air operated	differential	ISO 1 ISO 2 ISO 3	3	12	<b>54101002</b> <b>54202002</b> <b>54301018</b>
	air operated	air	ISO 1 ISO 2 ISO 3	1,5	12	<b>54101003</b> <b>54202003</b> <b>54301019</b>
	air operated pressure held <b>W1</b>		ISO 1 ISO 2 ISO 3	3	12	<b>54101004</b> <b>54202004</b> <b>54301020</b>
	air operated pressure applied <b>W2</b>		ISO 1 ISO 2 ISO 3	3	12	<b>54101013</b> <b>54202013</b> <b>54301022</b>
	air operated pressure release <b>W3</b>		ISO 1 ISO 2 ISO 3	3	12	<b>54101005</b> <b>54202005</b> <b>54301021</b>

**OPTIONS**

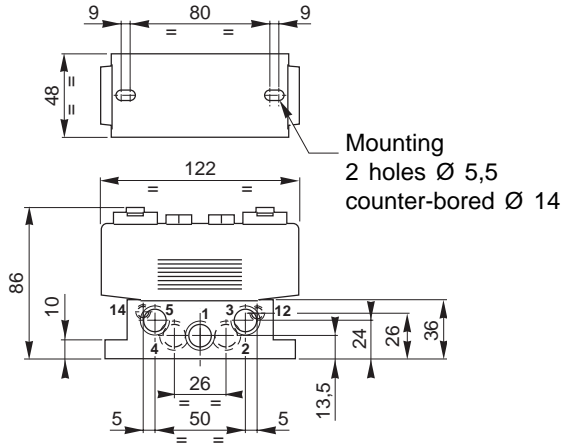
- Equipment with manual testers (ISO3) so that the spool position can be checked
- Equipment for use in potentially **explosive atmospheres** caused by dusts or gases (ATEX Directive 94/9/EC)

zones	classification	ATEX option catalogue number		
		ISO 1	ISO 2	ISO 3
2-22	II3GD c T 60°C T 85°C (T6)	<b>612027</b>	<b>612028</b>	<b>612029</b>
1-21	II2GD c IIC T 60°C T 85°C (T6)	<b>612030</b>	<b>612031</b>	<b>612032</b>

**SUBBASES AND ACCESSORIES** : see pages P570-9 and 22

**DIMENSIONS (mm), WEIGHT (kg)**

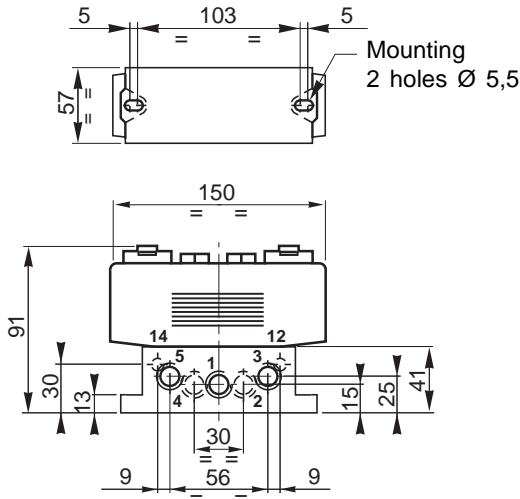
VALVES ON SINGLE SUBBASES  
Side port - ISO 1



subbase catalogue number	port orifices		
	12-14	1-2-4	3-5
35500076	G 1/8	G 1/4	G 1/4
35500061			G 3/8
35500382		G 3/8	G 3/8

Total weight : 0,880

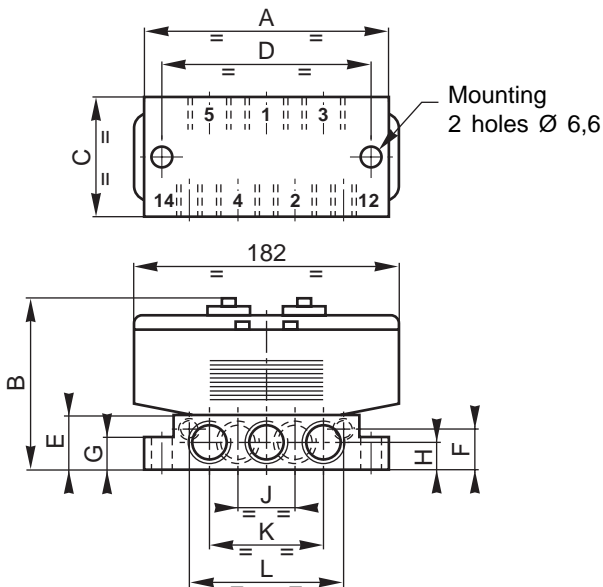
VALVES ON SINGLE SUBBASES  
Side port - ISO 2



subbase catalogue number	port orifices		
	12-14	1-2-4	3-5
35500560	G 1/8	G 3/8	G 3/8
35500562		G 1/2	G 1/2

Total weight : 1,200

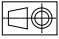
VALVES ON SINGLE SUBBASES  
Side port - ISO 3



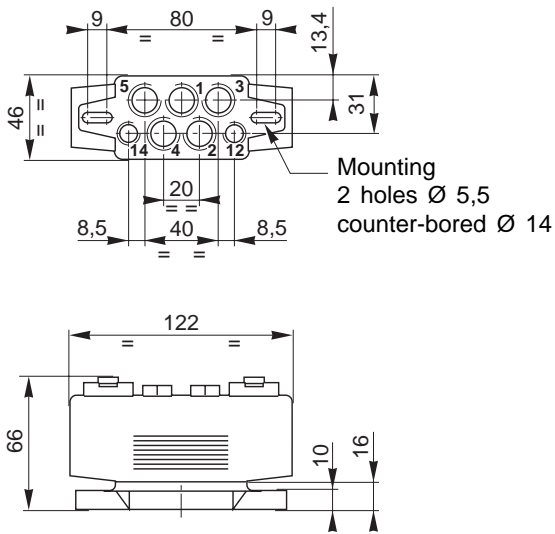
subbase catalogue number	port orifices		
	12-14	1-2-4	3-5
35500171	G 1/8	G 1/2	G 1/2
35500192		G 3/4	G 3/4

Total weight : 1,400

dimension	subbase	
	G 1/2	G 3/4
A	149	149
B	99	117
C	71	71
D	136	136
E	32	50
F	22	40
G	18	18
H	17	20
J	32	36
K	68	80
L	90	92

**DIMENSIONS (mm), WEIGHT (kg)** 

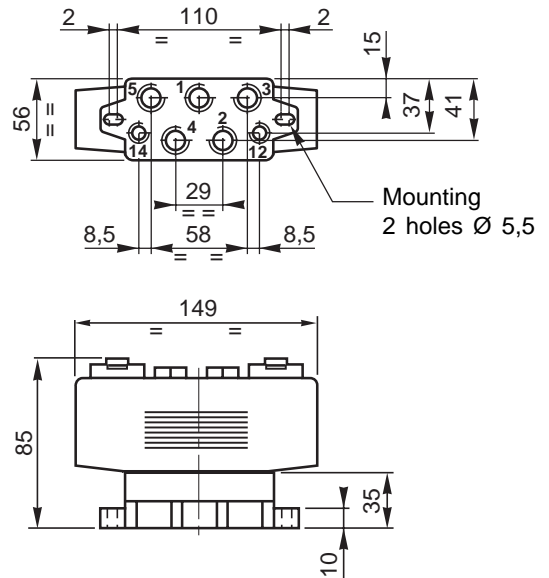
**VALVES ON SINGLE SUBBASES**  
**Bottom port - ISO 1**



subbase catalogue number	port orifices		
	12-14	1-2-4	3-5
35500077	G 1/8	G 1/4	G 1/4
35500069	instant fittings		G 1/4
	Ø 4 OD	Ø 8 OD	

Total weight : 0,500

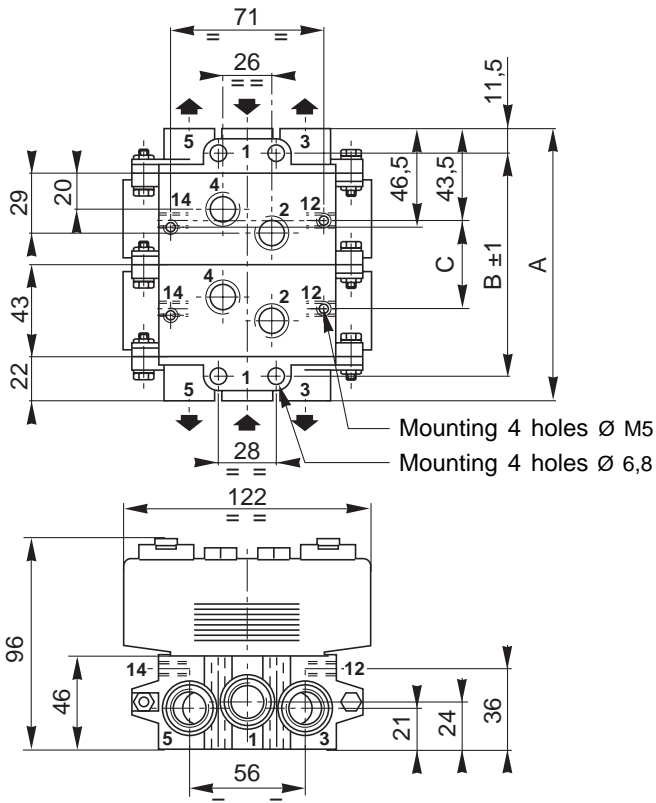
**VALVES ON SINGLE SUBBASES**  
**Bottom port - ISO 2**



subbase catalogue number	port orifices		
	12-14	1-2-4	3-5
35500085	G 1/8	G 3/8	G 3/8

Total weight : 1,150

**SPOOL VALVES ON METALIC JOINABLE SUBBASES**  
**Bottom port - ISO 1**



	catalogue number	port orifices		
		12-14	2-4	1-3-5
subbase	35500165	G 1/8	G 1/4	-
2 end plates	35500166	-	-	G 3/8

Set of end plates supplied with 3 plugs G 3/8 (for 1-3-5)

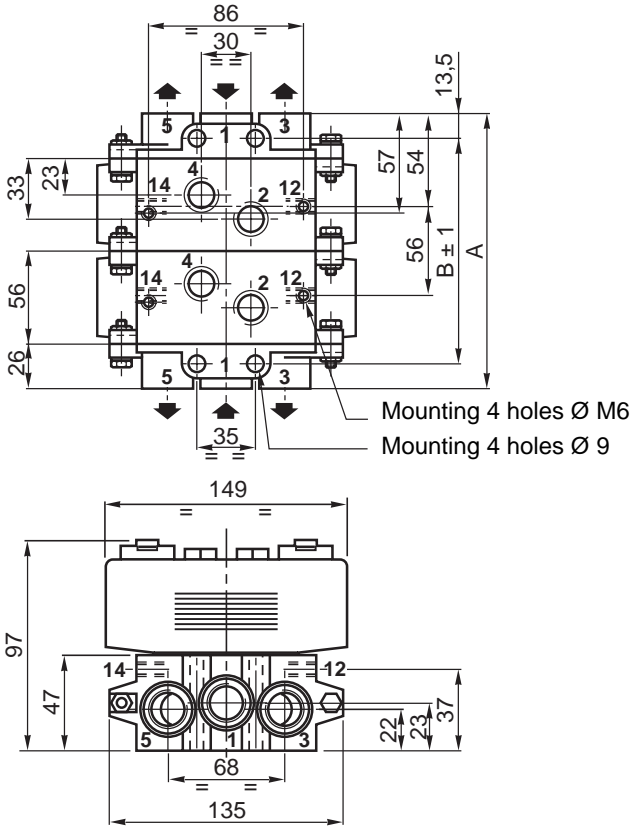
number of subbases	A	B±1	C	weight
3	173	150	86	2,150
4	216	193	129	2,800
5	259	236	172	3,450
6	302	279	215	4,100
7	345	322	258	4,750
8	388	365	301	5,400

Weight : spool valves + subbases + end plates

**DIMENSIONS (mm), WEIGHT (kg)**

**SPOOL VALVES ON METALIC JOINABLE SUBBASES**

**Bottom port - ISO 2**



	catalogue number	port orifices		
		12-14	2-4	1-3-5
subbase	<b>35500169</b>	G 1/8	G 3/8	-
2 end plates	<b>35500170</b>	-	-	G 1/2

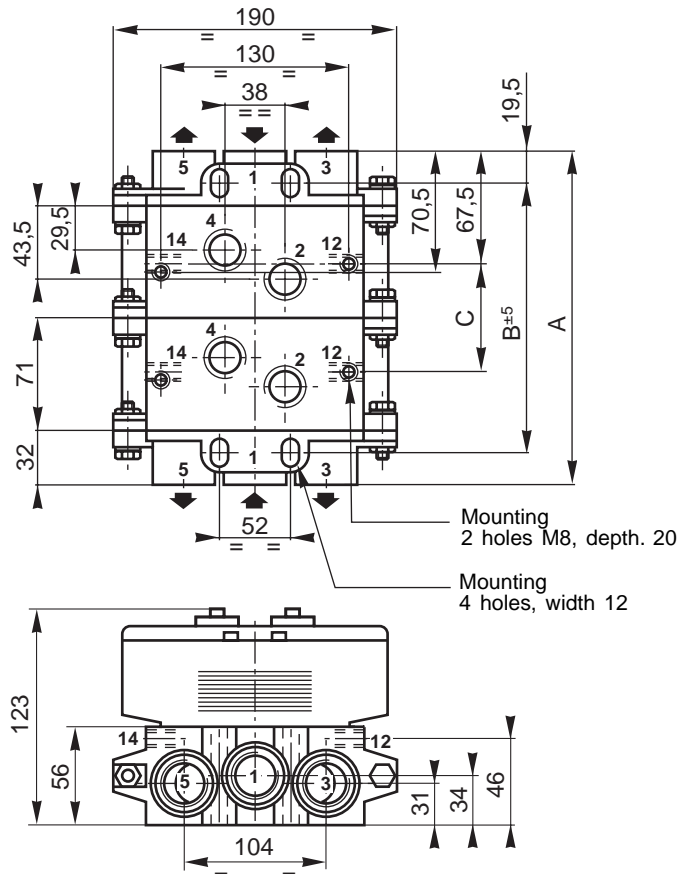
Set of end plates supplied with 3 plugs G 1/2 (for 1-3-5)

number of subbases	A	B±1	weight
3	220	193	4,500
4	276	249	6,100
5	332	305	7,700
6	388	361	9,300
7	444	417	9,900
8	500	473	10,500

Weight : spool valves + subbases + end plates

**SPOOL VALVES ON METALIC JOINABLE SUBBASES**

**Bottom port - ISO 3**



	catalogue number	port orifices		
		12-14	2-4	1-3-5
subbase	<b>35500173</b>	G 1/8	G 1/2	-
2 end plates	<b>35500174</b>	-	-	G 1

Set of end plates supplied with 3 plugs G 1 (for 1-3-5)

number of subbases	A	B±1	C	weight
2	206	167	71	3,900
3	277	238	142	5,500
4	348	309	213	7,100
5	419	380	284	8,700
6	490	451	355	10,300
7	561	522	426	11,900

Weight : spool valves + subbases + end plates