

# ROSEMOUNT 3051 PLUGGED IMPULSE LINE DIAGNOSTIC

Ensure that transmitter output responds to process changes while reducing maintenance costs.

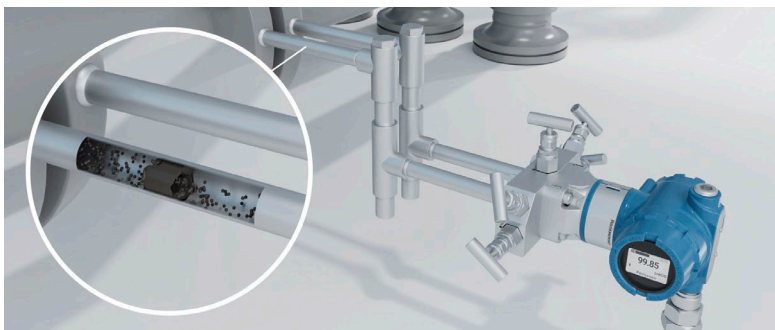
## Alert operations to plugged impulse lines

Plugged impulse lines can trap pressure and isolate the transmitter from the process. This leaves the transmitter unresponsive to pressure changes. This issue can easily remain hidden since transmitter output may continue to appear normal.

The Rosemount™ 3051 with the Plugged Impulse Line diagnostic helps ensure that your transmitter output responds to process changes. It notifies you to issues that may affect process readings before they impact process operations or safety.

### How it works

- Continuously monitor for plugging in impulse lines that may disrupt output response to process changes
- Simple configuration options enable easy setup
- Safety certified for use in your most critical applications
- The built-in diagnostic log tracks events, so you see a history of the device status to diagnose intermittent issues that may occur when not connected to the device



Before using Emerson products, it is important that you review the health and safety information, and other information regarding the limitations of our products, contained in the applicable user manuals located at [www.emerson.com](http://www.emerson.com). The Bluetooth® word mark and logos are registered trademarks owned by Bluetooth SIG, Inc. and any use of such marks by Emerson is under license. Other trademarks and trade names are those of their respective owners.

The Emerson logo is a trademark and service mark of Emerson Electric Co. Brand logotype are registered trademarks of one of the Emerson family of companies. All other marks are the property of their respective owners.  
©2023 Emerson Electric Co. All rights reserved.

00807-0100-4801 Rev AC

**ROSEMOUNT™**



*Rosemount 3051 Pressure Transmitter with Plugged Impulse Line Diagnostics.*

### Receive Diagnostic Messages from Multiple Sources:

- Any HART® Host
- 4–20 mA analog system
- AMS Device Configurator Bluetooth® app
- Wireless THUM™ Adapter
- Local transmitter display



*The Rosemount 3051 pressure transmitter family for pressure, level and flow applications.*

  
**EMERSON™**