

Fisher™ Z500 Severe Service Ball Valves

Contents

Introduction	1
Scope of Manual	1
Description	1
Specifications	1
Installation	5
Operation	7
Maintenance	8
Troubleshooting	9
Packing Replacement	11
Actuator Mounting	14
Parts Ordering	19
Parts List	19

Figure 1. Fisher Z500 Severe Service Ball Valve



X1243

Introduction

Scope of Manual

This instruction manual provides installation, operation, maintenance, and parts information for the Fisher Z500 Severe Service Ball Valve (see figure 1).

Do not install, operate, or maintain Z500 valves without being fully trained and qualified in valve, actuator, and accessory installation, operation, and maintenance. To avoid personal injury or property damage, it is important to carefully read, understand, and follow all the contents of this manual, including all safety cautions and warnings. If you have any questions about these instructions, contact your [Emerson sales office](#) or Local Business Partner before proceeding.

Description

The Z500 severe service ball valve is a split body bolted design, full or reduced port, with a blowout proof shaft. It can be lever operated, gear operated, or actuated. The Z500 severe service ball valve line is a simplistic two-piece floating ball design with integral metal seat meant to provide tight metal seating shutoff in high temperature, high pressure, corrosive, and erosive applications across all industries.

Specifications

Specifications for these valves are shown in table 1.

Table 1. Specifications

<p>Valve Sizes</p> <p>Z500: NPS ■ 1/2, ■ 3/4, ■ 1, ■ 1-1/2, ■ 2, ■ 3, ■ 4, ■ 6, ■ 8, ■ 10, ■ 12, ■ 14, ■ 16, ■ 18, ■ 20, ■ 24, ■ 26, ■ 28, ■ 30 and, ■ 36</p> <p>Maximum Working Pressures⁽¹⁾</p> <p>Consistent with applicable pressure-temperature ratings in table 4 per ASME B16.34, but do not exceed the material temperature capabilities shown below</p> <p>Shutoff Classification⁽¹⁾</p> <p>Z500: Valves are tested to API 598 in the preferred flow direction.</p> <p>Class V type B per FCI 70-2 in reverse flow in bi-directional design (Must be specified). For other shutoff requirements, please contact your Emerson sales office or Local Business Partner.</p> <p>Construction Materials</p> <p>See tables 2 and 3</p> <p>Temperature Capabilities⁽¹⁾</p> <p>Welded and Threaded Ends: Carbon Steel, -462°C (-800°F); F22, 538°C (1000°F); F91, 649°C (1200°F); F316, 538°C (1000°F); F316H, 760°C (1400°F)</p> <p>Flanged End Connections: Carbon Steel, -351°C (-600°F); F22, 427°C (800°F); F91, 538°C (1000°F); F316, 538°C (1000°F)</p> <p>Lower Limits: <i>Carbon steel:</i> -29°C (-20°F), <i>Stainless steel:</i> -40°C (-40°F)</p>	<p>Packing Constructions</p> <p>Carbon Steel Valve Bodies: Wire reinforced graphite packing, AISI 4130 nitrided packing gland Stainless Steel: N06600 wire-reinforced graphite packing, S31600 nitrided packing gland</p> <p>Standard Flow Direction</p> <p>Preferred Flow Direction: Preferred flow for optimal sealing is forward into the integral seat</p> <p>Flow Coefficients</p> <p>Contact your Emerson sales office or Local Business Partner</p> <p>Maximum Ball Rotation</p> <p>90 degrees</p> <p>Actuator Mounting</p> <p>The preferred mounting orientation is vertical. Other orientations are acceptable</p> <p>Approximate Weight</p> <p>Contact your Emerson sales office or Local Business Partner</p> <p>Options</p> <ul style="list-style-type: none"> ■ Reduced port, ■ Expanded outlet, ■ Scraper seats, ■ HVOF coating options, ■ Bi-directional sealing, ■ High cycle constructions, ■ Lockouts, ■ Spray and fused coatings
---	---

1. The pressure/temperature limits in this manual, and any applicable code or standard limitation, should not be exceeded.

Table 2. Standard Construction Materials for NPS 1/2 through 36 Valves

PART	VALVE BODY AND END ADAPTER MATERIAL			
	Carbon Steel	F22	F91	F316, F316H
Ball ⁽¹⁾	S41000	S41000	S41000	S31600
Upstream seat ⁽¹⁾	S41000	S41000	S41000	S31600
Seat Holder ⁽²⁾	S41000	S41000	S41000	S31600
Body gasket	S17400	N07718	N07718	S66286
Spring	N07718 or S17400 ⁽³⁾	N07718	N07718	S66286
Packing	Flexible graphite with wire-reinforced braided graphite and stainless steel washers			
Shaft	S17400 Nitrided	N07718 Nitrided	N07718 Nitrided	S66286 Nitrided
Shaft adapter	AISI 4130 Nitrided, 4140 Nitrided			
Coatings	HVOF Chrome Carbide (standard), HVOF Tungsten Carbide, Spray and Fused Nickel-Boron			

1. Part is coated (HVOF chrome carbide standard)
 2. Seat holder is standard on welded and threaded end connections in 0.65, 1.15, 1.5, and 2 inch bores only. Bidirectional option must be specified for all other constructions.
 3. N07718 spring for 2 inch bore and below. S17400 spring for 3 inch bore and above.

Table 3. Spray and Fused Coating Standard Construction Materials⁽¹⁾

PART	VALVE BODY AND END ADAPTER MATERIAL			
	Carbon Steel	F22	F91	F316, F316H
Ball and Upstream Seat ⁽²⁾		F22		S31600
1. Seat holder is standard on welded and threaded end connections in 0.65, 1.15, 1.5, and 2 inch bores only. Bidirectional option must be specified for all other constructions. 2. Part is coated.				

Table 4. Valve Body Materials, End Connections, and Ratings

Ratings	Bore (inches)	Size, NPS	End Connection	Valve Body Materials ⁽¹⁾	
CL150 through 1500	0.65	1/2	Buttweld, Socketweld, FNPT, RF, RTJ	Carbon Steel, F22, F91, F316, and F316H	
		3/4			
		1			
		1-1/2			
	1.15	1			
		1-1/2			
		2			
		2-1/2			
	1.5	1-1/2	Buttweld, RF, RTJ		
		2			
		2-1/2			
	2	2	Buttweld, Socketweld, FNPT, RF, RTJ		
		2-1/2			
	3	3	Buttweld, RF, RTJ		
		4			
		6			
		8			
	4	4			RF, RTJ
		6			
	6	6			
		8			
	8	8			
		10			
	10	10			
12	12				
14	14				
16	16				
18	18				
20	20				
24	24				
26	26				
28	28				
30	30				
36	36				

-continued-

Table 4. Valve Body Materials, End Connections, and Ratings (continued)

Ratings	Bore (inches)	Size, NPS	End Connection	Valve Body Materials ⁽¹⁾
CL2500	0.65	1/2	Buttweld, Socketweld, FNPT, RF, RTJ	Carbon Steel, F22, F91, F316, and F316H
		3/4		
		1		
		1-1/2		
	1.15	1		
		1-1/2		
		2		
		2-1/2		
	1.5	1-1/2		
		2		
		2-1/2		
		3	Buttweld, RF, RTJ	
	2	2	Buttweld, Socketweld, FNPT, RF, RTJ	
		2-1/2		
		3	Buttweld, RF, RTJ	
		4		
3	3			
	4			
	6			
4	4			
	6			
6	6			
	8			
8	8	RF, RTJ		
	10			
CL3200	0.65	1/2	Buttweld, Socketweld	Carbon Steel, F22, F91, F316, and F316H
		3/4		
		1		
	1.15	1		
		1-1/2		
	1.5	2		
		1-1/2		
2				
2-1/2				
CL4500	0.65	1/2	Buttweld, Socketweld	Carbon Steel, F22, F91, F316, and F316H
		3/4		
		1		
	1.15	1		
		1-1/2		
	1.5	2		
1-1/2				
2				
2-1/2				

1. Valve bodies machined from forgings or forged bar.

Installation

⚠ WARNING

Always wear protective gloves, clothing, and eyewear when performing any installation operations to avoid personal injury.

Personal injury or equipment damage caused by sudden release of pressure may result if the valve assembly is installed where service conditions could exceed either the valve body rating or the mating pipe flange joint rating. To avoid such injury or damage, provide a relief valve for overpressure protection as required by government or accepted industry codes and good engineering practices.

Check with your process or safety engineer for any additional measures that must be taken to protect against process media.

If installing into an existing application, also refer to the WARNING at the beginning of the Maintenance section in this instruction manual.

⚠ WARNING

When ordered, the valve configuration and construction materials were selected to meet particular pressure, temperature, pressure drop, and controlled fluid conditions. Responsibility for the safety of process media and compatibility of valve materials with process media rests solely with the purchaser and end-user. To avoid possible personal injury and because some valve/trim material combinations are limited in their pressure drop and temperature ranges, do not apply any other conditions to the valve without first contacting your [Emerson sales office](#) or Local Business Partner.

⚠ WARNING

The valve drive shaft is grounded to the pipeline via graphite packing. If the process fluid or atmosphere around the valve is flammable, this electrical bonding (graphite packing) must be used to avoid personal injury or property damage as a result of an explosion caused by a discharge of static electricity from valve components.

⚠ WARNING

Personal injury could result from packing leakage. Valve packing was tightened before shipment; however the packing might require some readjustment to meet specific service conditions. Check with your process or safety engineer for any additional measures that must be taken to protect against process media.

When a valve is shipped bare shaft:

- a. Valve is shipped in the open position with exposed shaft
- b. Valve will include two shaft keys.

When a valve is shipped with mounting kit only:

- a. Valve will ship in the in open position
- b. Valve will have the mounting finger-tight to the valve
- c. Customer shall ensure proper mounting of the actuator

- d. Customer shall ensure valve shaft has not been pushed or forced down into the valve
- e. Customer shall ensure no binding occurs when mounting the actuator
 - i. Customer shall ensure the correct alignment is done when mounting the actuator
 - ii. No hammering or forcing down of the shaft adapter is allowed
- f. Customer shall ensure all bolts are torqued down appropriately
- g. Customer shall ensure the actuator mounting surface is completely flush with the mounting bracket. For additional information on actuator mounting, refer to the Actuator Mounting section in this instruction manual on page 14.
- h. Customer shall ensure the mounting can allow for or can accommodate expansion of the shaft or adapter at high temperatures. See table 7.

When a valve is shipped with actuator:

- a. Valve will be shipped in the required fail position
 - b. All bolting will be torqued as required
 - c. Emerson recommends that the customer not remove the actuator for final installation in the line
1. Inspect the valve prior to installation into the piping system to ensure there is no shipping damage. End protectors and shipping materials must be removed to allow a complete inspection.
 2. Inspect the actuator, if included, for damage and then cycle the valve with the actuator from open (the normal shipping position) to closed to open to ensure proper functioning.

CAUTION

Make sure the valve is installed in the correct orientation. Put the high pressure side (body side) on the upstream side. The arrow on the valve should point from the high pressure to low pressure side when the valve is closed. The valve could be damaged if installed incorrectly.

Weld End Valves

⚠ WARNING

Emerson Automation Solutions is not responsible for improper installation or inspection of any valve which falls outside the criteria presented in this instruction manual. Requests for additional information on unique situations should be directed to your [Emerson sales office](#) or Local Business Partner.

CAUTION

Weld fill between the valve and pipe should never be used to correct for improper pipe installation length or misalignment. Additional welding beyond what is required may cause the valve to reach higher temperatures and have a larger heat-affected zone, which can cause permanent damage to the valve or its components.

For additional information, refer to ASME Boiler and Pressure Vessel Code Section IX.

Procedure

Initial Preparation

1. Ensure the valve is in the fully open position so that vital sealing areas of the ball are not exposed to weld spatter.
2. Never make arc strikes on the valve body or end adapter except inside the groove intended for butt welding or inside the corner of the joint for socket welding. Arc strikes made on areas which are not intended to be welded can cause a localized increase in hardness and micro-cracks, and can otherwise compromise the intended mechanical properties of the material.
3. Attach the welding ground strap to the side of the valve being welded.
4. Install the valve into the piping system prior to welding in order to minimize piping loads. Orient the valve with the shaft vertical, if possible, and install the piping such that pipe loads are minimized on the valve.
5. Weld the valve into the line using welders and procedures fully qualified per ASME Boiler and Pressure Vessel Code Section IX.
6. Ensure that the valve body temperature always remains below 427°C (800°F).

Post-Weld Heat Treatment

CAUTION

Depending on valve body materials used, post weld heat treating may be required. If so, damage to internal parts is possible. Do not place the entire valve in a stress relief furnace, or cover the entire valve with stress relieving blankets, as this could damage the valve. Contact your [Emerson sales office](#) or Local Business Partner for additional information.

1. Weld the valve into the line using qualified welders and procedures per Section IX of the ASME Boiler and Pressure Vessel Code. If specific procedures are required, contact your Emerson sales office or Local Business Partner for written guidance based on pipe and valve materials.
2. Apply post weld heat treat in accordance with valve material and code requirements. Only local post weld heat treat on each end of the valve must be used.

Final Inspection after Post-Weld Heat Treatment

After post weld heat treat, verify valve body studs and packing studs are tight.

CAUTION

Before cycling the valve in the line, make sure the line is clean of weld slag and other debris that could damage the valve. Cycle the valve after installation to ensure proper functioning.

1. Cycle the valve to verify proper operation. Ensure that the torque required to cycle the valve has remained within acceptable limits.
2. Verify that the body and packing bolting are tightened to the correct torque per tables 5 and 6.
3. Install proper insulation as required for insulated piping systems.

Operation

1. No routine maintenance or lubrication is required. No tightening of body studs should be necessary. Packing bolting may be retightened if a shaft packing leak is noted during operation.

2. Actuators supplied with the valve may require maintenance per the actuator manufacturer's recommendations. For valves supplied with gears, the grease in the gearbox might need to be cleaned out and replaced periodically. Use only high temperature grease recommended for gearboxes.
3. Metal-seated ball valves have high torques. Consult your [Emerson sales office](#) or Local Business Partner for more information.
4. Valves operate clockwise to close and counterclockwise to open. Gears and actuators are marked with arrows and symbols to show valve position and operating direction. Lever operated valves have an integral lockplate so that only the correct operating direction is possible. The lockplate has the "O" for open and the "C" for closed marked to show proper position. The lever is always aligned with the ball bore for positive proof of ball position. Gears and actuators have adjustable stops for proper ball positioning.
5. The ball is mated to the end adapter seat. The top of the shaft is marked to show the proper orientation of the lapped side of the ball.
6. This valve should be either normally open or normally closed. Throttling with this valve is not recommended for extended periods. Throttling for brief periods during startup or shutdown is allowed.

Maintenance

Valve parts are subject to normal wear and must be inspected and replaced as necessary. The frequency of inspection and replacement depends upon the severity of service conditions.

WARNING

Avoid personal injury from sudden release of process pressure. Before performing any maintenance operations:

- Do not remove the actuator from the valve while the valve is still pressurized.
- Disconnect any operating lines providing air pressure, electric power, or a control signal to the actuator. Be sure the actuator cannot suddenly open or close the valve.
- Use bypass valves or completely shut off the process to isolate the valve from process pressure. Relieve process pressure from both sides of the valve. Drain the process media from both sides of the valve.
- Vent the power actuator loading pressure and relieve any actuator spring precompression.
- Use lock-out procedures to be sure that the above measures stay in effect while you work on the equipment.
- Always wear protective gloves, clothing, and eyewear when performing any maintenance operations.
- The valve packing area may contain process fluids that are pressurized, *even when the valve has been removed from the pipeline*. Process fluids may spray out under pressure when removing the packing hardware or packing rings.
- Check with your process or safety engineer for any additional measures that must be taken to protect against process media.

1. If valve maintenance is required, contact your [Emerson sales office](#) or Local Business Partner.

Troubleshooting

Operation

- **Shaft adapter/actuator may be misaligned**-- Remove actuator and shaft adapter, then reassemble per assembly procedures for actuators.
- **Over-tightened shaft packing**-- Loosen packing to hand tight, cycle valve and retighten per procedures following torque table 6.
- **Inadequate air supply**-- Increase air supply or install larger solenoid or quick exhaust valve. Refer to actuator manufacturer's specifications.

Valve will not Rotate

- **Valve body ID or bore is clogged**-- Flush or clean valve ID and try to cycle valve.
- **Actuator is not operating correctly or has failed**-- Replace or repair actuator and try to cycle valve.
- **Shaft keys have sheared**-- Remove shaft adapter and determine why keys sheared, insert new keys, reassemble and try to cycle valve.

Valve Shaft Packing Leaking

- **Packing flange bolting is loose**-- Tighten packing bolting. See Packing Replacement section, step 7 on page 14 of this instruction manual.
- **Packing is damaged or improperly installed**-- Depressurize valve, remove old packing and replace with new assembly per assembly instruction steps 3 to 5.
- **Actuator misalignment**-- Check for actuator misalignment.

Valve Body Gasket Leaking

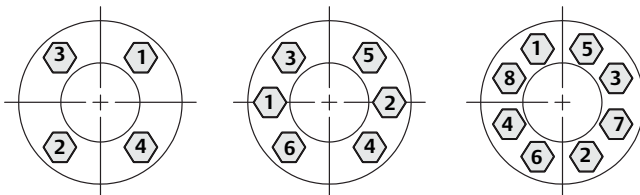
- **Body bolting is loose**-- Tighten body bolting per table 5 and figure 2.
- **Body gasket damaged**-- Contact your [Emerson sales office](#) or Local Business Partner.

Table 5. Body-to-End Adapter Bolt Torque and Bracket-to-Body Bolt Torque Values

STUD SIZE (mm)	RECOMMENDED TORQUE (ft • lbf) ⁽¹⁾			RECOMMENDED TORQUE (in • lbf) ⁽¹⁾			RECOMMENDED TORQUE (N • m) ⁽¹⁾		
	B7M (σ y = 80Ksi)	B7 / B16 (σ y = 100Ksi)	B8M CL1 (σ y = 30Ksi)	B7M	B7/B16	B8M CL1	B7M	B7/B16	B8M CL1
1/4 - 20 UNC	7.6	8.9	4	91	107	48	10	12	5
5/16 - 18 UNC	15.5	17.8	8	186	214	96	21	24	11
3/8 - 16 UNC	27.3	31	13.9	328	372	167	37	42	19
7/16 - 14 UNC	43	50	22	516	600	264	58	68	30
1/2 - 13 UNC	66	71	33	792	852	396	89	96	45
9/16 - 12 UNC	95	95	47	1140	1140	564	129	129	64
5/8 - 11 UNC	125	125	65	1500	1500	780	169	169	88
3/4 - 10 UNC	200	200	115	2400	2400	1380	271	271	156
7/8 - 9 UNC	290	290	180	3480	3480	2160	393	393	244
1 - 8 UNC	405	405	270	4860	4860	3240	549	549	366
1 1/8 - 8 UN	550	550	290	6600	6600	3480	746	746	393
1 1/4 - 8 UN	730	730	545	8760	8760	6540	990	990	739
1 3/8 - 8 UN	980	980	735	11760	11760	8820	1329	1329	997
1 1/2 - 8 UN	1290	1290	965	15480	15480	11580	1749	1749	1308
1 5/8 - 8 UN	1650	1650	1235	19800	19800	14820	2237	2237	1674
1 3/4 - 8 UN	2070	2070	1550	24840	24840	18600	2807	2807	2102
1 7/8 - 8 UN	2560	2560	1920	30720	30720	23040	3471	3471	2603
2 - 8 UN	3130	3130	2340	37560	37560	28080	4244	4244	3173

1. Torque recommendations provided require lubrication of stud and nut with a Lithium Polymer Grease. Use of other lubricants may change torque recommendation. Contact your [Emerson sales office](#) or Local Business Partner if other bolting materials are used.

Figure 2. Bolting Tightening Pattern



Valve Leaking through Ball or Seating Area

- Valve body ID or bore is clogged-- Flush or clean valve ID and try to cycle valve.
- Valve is not fully closed-- Close valve, taking care not to over torque.
- Actuator travel stops are not set correctly-- Set stops and cycle, checking for leaks.
- Seat or Ball is damaged-- Contact your Emerson sales office or Local Business Partner for repair.
- Belleville spring is collapsed — Contact your Emerson sales office or Local Business Partner for repair.

Note

If you need additional trouble-shooting assistance, please contact your Emerson sales office or Local Business Partner.

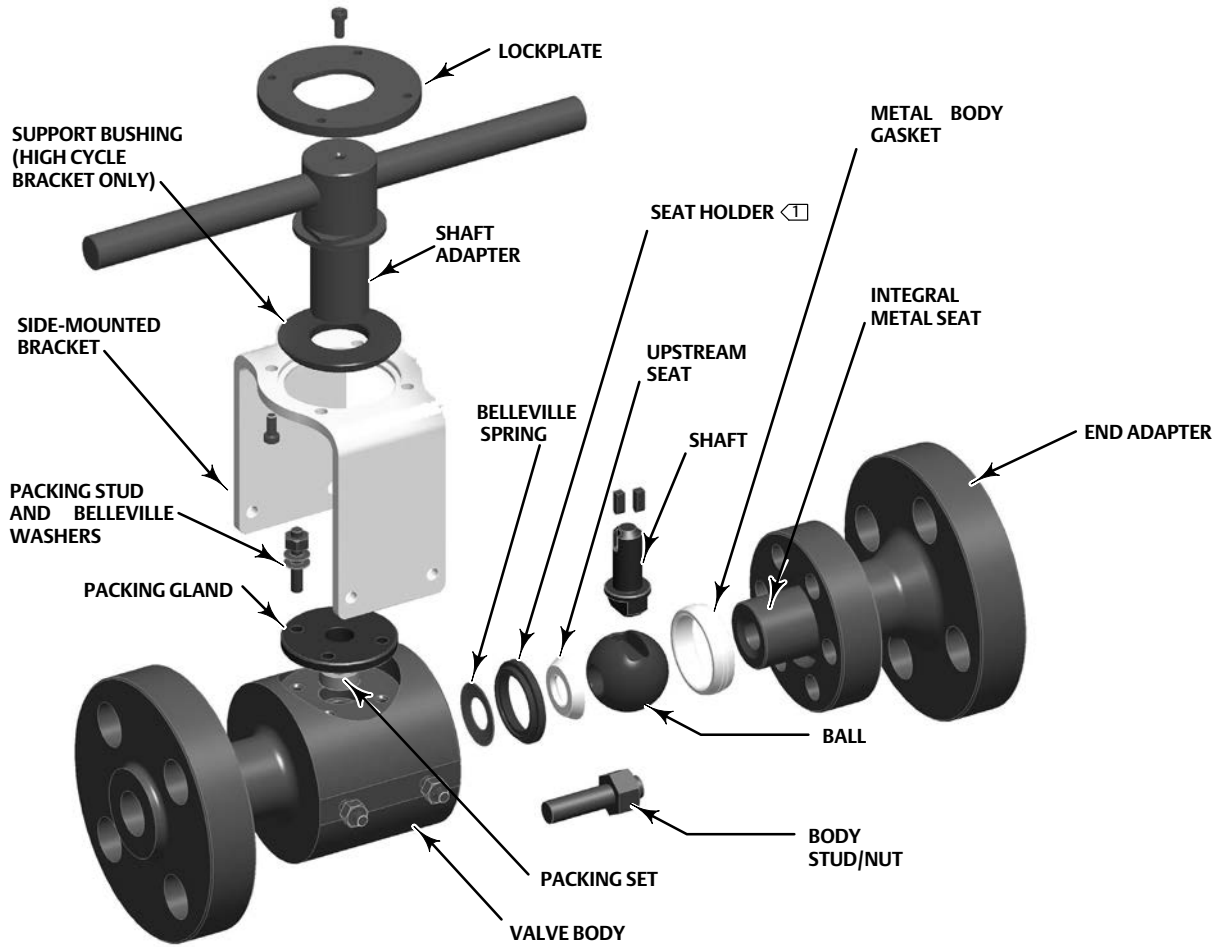
Packing Replacement

⚠ WARNING

Avoid personal injury from sudden release of process pressure. Before performing any maintenance operations:

- Do not remove the actuator from the valve while the valve is still pressurized.
 - Disconnect any operating lines providing air pressure, electric power, or a control signal to the actuator. Be sure the actuator cannot suddenly open or close the valve.
 - Use bypass valves or completely shut off the process to isolate the valve from process pressure. Relieve process pressure from both sides of the valve. Drain the process media from both sides of the valve.
 - Vent the power actuator loading pressure and relieve any actuator spring precompression.
 - Use lock-out procedures to be sure that the above measures stay in effect while you work on the equipment.
 - Always wear protective gloves, clothing, and eyewear when performing any maintenance operations.
 - The valve packing area may contain process fluids that are pressurized, *even when the valve has been removed from the pipeline*. Process fluids may spray out under pressure when removing the packing hardware or packing rings.
 - Check with your process or safety engineer for any additional measures that must be taken to protect against process media.
-

Figure 3. Z500 Construction Features

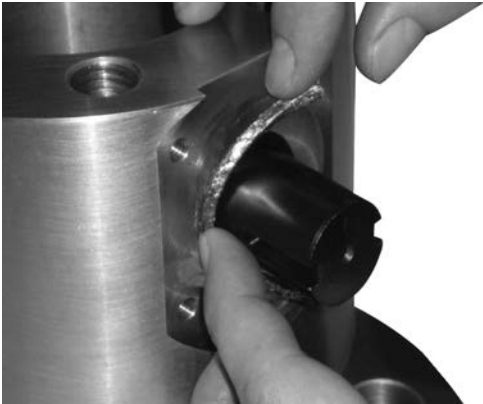


X1207

Note:

☐ Seat holder is standard on welded and threaded end connections in 0.65, 1.15, 1.5, and 2 inch bores only. Bidirectional option must be specified for all other constructions.

1. Loosen the packing studs.
 2. Remove the packing rings from the packing box, being careful not to damage the packing box.
 3. Inspect the clean packing box to ensure all surfaces are clean and undamaged.
 4. Insert the zero clearance washer. Use the packing flange to press the washer into position.
 5. Insert the bottom end ring of the shaft packing. Use the packing flange to press the bottom end ring into position.
 6. Insert the die formed rings. Use the packing flange to press the ring into position.
-

Figure 4. Assembly Steps**Figure 5. Insert Top End Ring**

7. Insert the top end ring of shaft packing. Use the packing flange to press the top end ring into position.

Figure 6. Use Packing Flange



8. Bolt up the packing flange. Use Belleville washers in the same orientation as removed. Contact your [Emerson sales office](#) or Local Business Partner for additional information. Make sure that the markings on the studs and nuts are facing out. Tighten the nuts in a star pattern (figure 2). Tighten the nuts with applicable torque (table 6).

Figure 7. Bolt Up the Packing Flange



Actuator Mounting

CAUTION

Never use a hammer or excessive force to install the shaft adapter on the valve. Improper installation can cause permanent damage to the valve.

1. Mount the shaft adapter on top of the shaft with the two keys. Make sure it fits onto the shaft easily without hammering.
2. Position the mounting bracket onto the body. Use anti-seize lubricant on the bracket studs and nuts. Make sure the markings on the studs and nuts are facing out. Leave the nuts.

Figure 8. Mount the Shaft Adapter

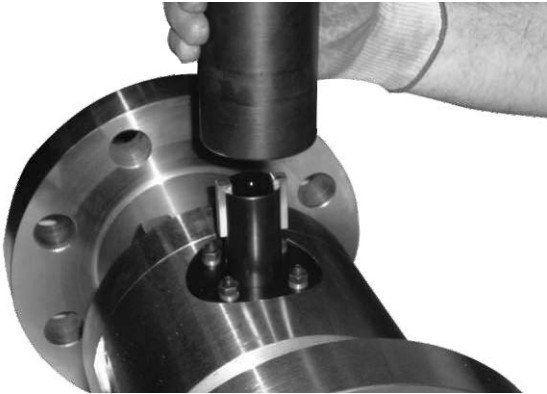


Figure 9. Position the Mounting Bracket



-
3. Place the actuator on top of the mounting bracket and shaft adapter, in the fail position. Make sure the actuator is properly aligned with the shaft adapter. If not, loosen the mounting bracket to assure proper alignment and retighten the mounting bracket. Use anti-seize lubricant on the actuator studs and nuts. Ensure the markings on the studs and nuts are facing out. Ensure the mounting can allow or can accommodate expansion of the shaft or adapter at high temperature. Reference table 7.
 4. Tighten the actuator and mounting bracket studs to the applicable torque after everything is aligned properly.
 5. Install the actuator hand wheel, if present, with key and retention plate. Install the indicator plate on top of the actuator.

Figure 10. Place the Actuator on Top of the Mounting Bracket

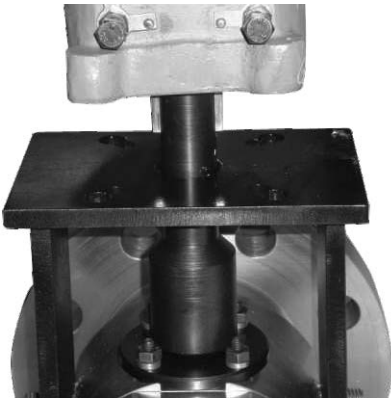
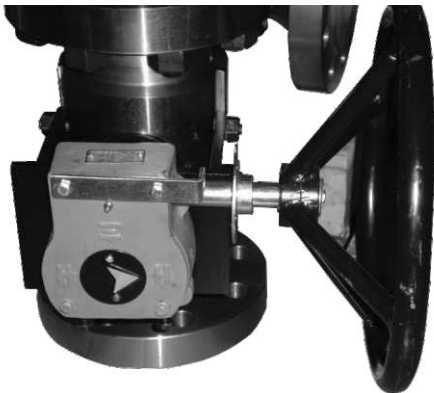


Figure 11. Install the Handwheel



Hand Lever

6. Position the mounting bracket onto the body. Use anti-seize lubricant on the bracket studs and nuts. Make sure the markings on the studs and nuts are facing out. Leave the nuts finger tight.
7. Insert the support bushing into the allotted slot of the mounting bracket.
8. Mount the shaft adapter on top of the shaft with the two keys. Make sure it fits onto the shaft easily without hammering. Make sure the mark is facing the lapped side of the ball/end adapter.

Figure 12. Shaft Adapter



-
9. Place the lock plate on top of the mounting bracket. Note the orientation of the open “O” and closed “C” markings.

Figure 13. Lock Plate



-
10. Thread on the socket head cap screws, using anti-seize lubricant, from the underside of the mounting bracket.
11. Tighten the mounting bracket and lockplate bolting to the applicable torque after everything is aligned properly.

Figure 14. Handlever Assembly



-
12. Insert the lever through the hole on the shaft adapter. Thread in the set screw on top of the shaft adapter to hold the lever in place.

Table 6. Packing Flange Bolt Torque Values

BOLT SIZE		RECOMMENDED TORQUE		
mm	Inch	lbf•ft	lbf•in	N•m
6	1/4	4	50	6
8	5/16	6	75	8
10	3/8	8	100	11
11	7/16	15	180	20
13	1/2	21	250	28
16	5/8	38	450	50
19	3/4	58	700	79
22	7/8	100	1200	135
25	1	150	1800	203

Table 7. Assembly Stand Off

NOMINAL BORE SIZE ⁽¹⁾		STANDOFF - MINIMUM		STANDOFF - MAXIMUM	
mm	Inch	mm	Inch	mm	Inch
17	0.65	0.38	0.015	0.89	0.035
29	1.15	0.38	0.015	0.89	0.035
38	1.5	0.38	0.015	0.89	0.035
51	2	0.38	0.015	0.89	0.035
76	3	0.64	0.025	1.14	0.045
102	4	0.89	0.035	1.40	0.055
152	6	1.02	0.040	1.52	0.060
203	8	1.27	0.050	1.78	0.070
254	10	1.52	0.060	2.03	0.080
305	12	1.78	0.070	2.54	0.100
356	14	2.92	0.115	3.68	0.145
406	16	3.43	0.135	4.19	0.165
457	18	2.67	0.105	3.43	0.135

1. Contact your [Emerson sales office](#) or Local Business Partner for additional sizes.

Parts Ordering

A serial number is assigned to each valve and stamped on the nameplate. Always refer to the valve serial number when corresponding with your [Emerson sales office](#) or Local Business Partner regarding spare parts or technical information.

⚠ WARNING

Use only genuine Fisher replacement parts. Components that are not supplied by Emerson Automation Solutions should not, under any circumstances, be used in any Fisher valve, because they will void your warranty, might adversely affect the performance of the valve, and could give rise to personal injury and property damage.

Parts List

Note

Contact your Emerson sales office or Local Business Partner for part number information.

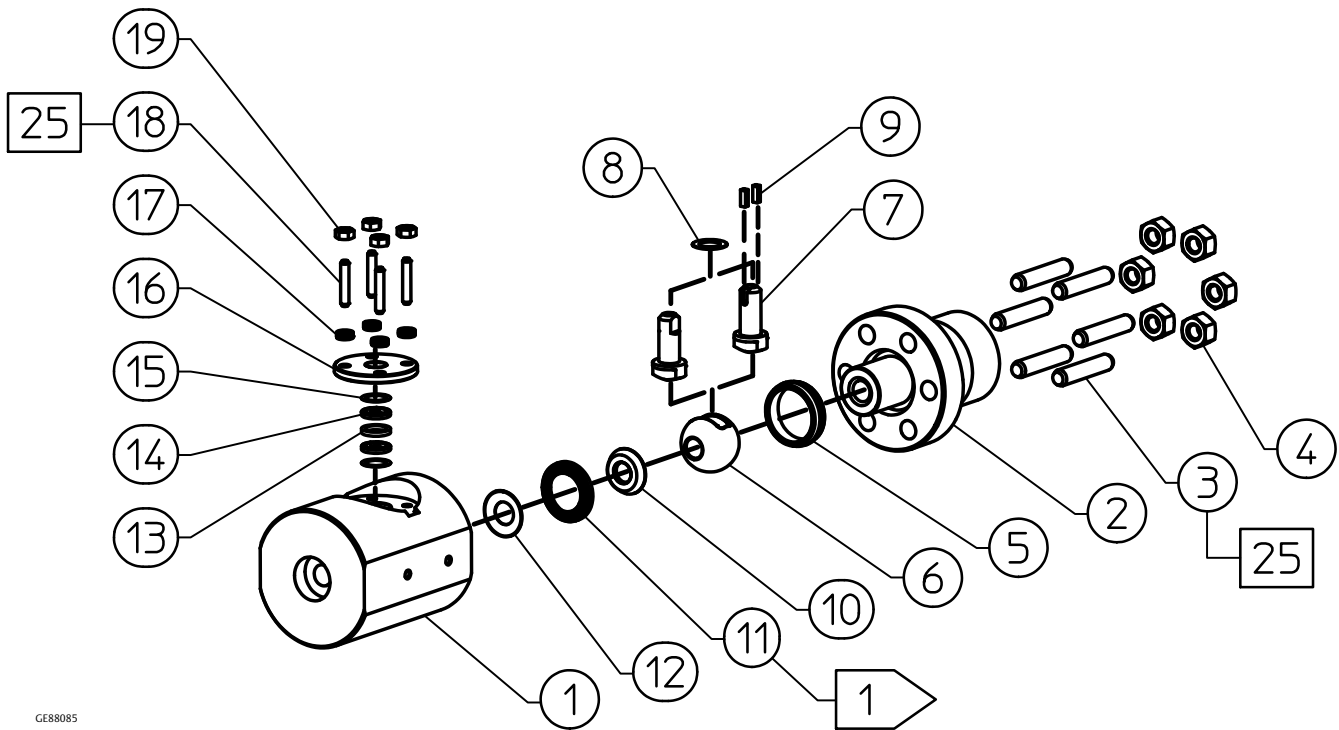
Key Description

- 1 If you need a valve body as a replacement part, order by valve size, serial number, and desired valve body material. Contact your Emerson Automation Solutions sales office for assistance.
- 2 End Adapter
- 3 Body Bolts
- 4 Body Nuts
- 5* Valve Body Gasket
- 6 Ball

Key Description

- 7 Shaft
- 8 Thrust Washer
- 9 Shaft Key
- 10 Upstream Seat
- 11 Seat Holder for Bidirectional Shutoff
- 12 Belleville Spring
- 13* Shaft Packing
- 14* Shaft Packing
- 15* Shaft Packing
- 16 Packing Gland
- 17 Belleville Washer
- 18 Packing Bolts
- 19 Packing Nuts

Figure 15. Fisher Z500 Valve Assembly



GE88085

- APPLY LUB
- ▢ OPTIONAL: 11

PARTS NOT SHOWN: KEY 20, 21, 22, 23, 24, 26, and 27

Neither Emerson, Emerson Automation Solutions, nor any of their affiliated entities assumes responsibility for the selection, use or maintenance of any product. Responsibility for proper selection, use, and maintenance of any product remains solely with the purchaser and end user.

Fisher is a mark owned by one of the companies in the Emerson Automation Solutions business unit of Emerson Electric Co. Emerson Automation Solutions, Emerson, and the Emerson logo are trademarks and service marks of Emerson Electric Co. All other marks are the property of their respective owners.

The contents of this publication are presented for informational purposes only, and while every effort has been made to ensure their accuracy, they are not to be construed as warranties or guarantees, express or implied, regarding the products or services described herein or their use or applicability. All sales are governed by our terms and conditions, which are available upon request. We reserve the right to modify or improve the designs or specifications of such products at any time without notice.

Emerson Automation Solutions
Marshalltown, Iowa 50158 USA
Sorocaba, 18087 Brazil
Cernay, 68700 France
Dubai, United Arab Emirates
Singapore 128461 Singapore

www.Fisher.com

