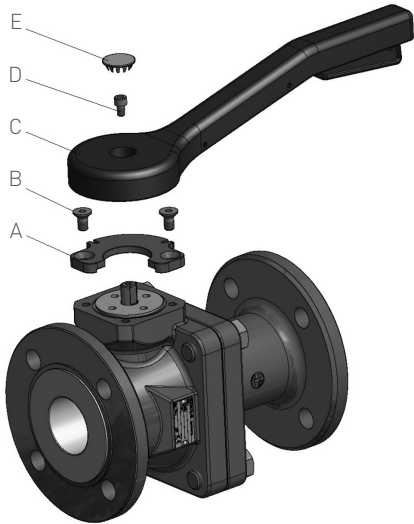




NEOTECHA NXR LINED BALL VALVE HAND LEVER KIT (DISCONTINUED) INSTALLATION INSTRUCTIONS (THIS PRODUCT IS NOW DISCONTINUED)

This product is now discontinued



INSTALLATION

1. Attach the notch plate of the hand lever kit (A) to the connection flange of the ball valve with the two screws (B). Before tightening the screws please ensure the 'open position' of the hand lever suits your application. Normally the hand lever opens counterclockwise viewed from above.
2. Put the hand lever (C) to the notch plate and attach it with the screw (D) to the disc stem of the ball valve. If you have predictable vibrations on your pipe system you should secure the screw with Loctite or a similar suitable adhesive.
3. Before you attach the screw cap (E) to the hand lever please check the correct position and also the overall function of the hand lever kit.

GENERAL

This instruction describes the installation of the following hand lever kits on the NXR ball valves.

Item no.	Drawing no.	Nominal diameter
414040D4D03	ZA3-0060	DN 15 - DN 25 (NPS ½ - NPS 1)
414040D1E03	ZA3-0061	DN 40 - DN 50 (NPS 1½ - NPS 2)
414040D5F03	ZA3-0062	DN 80 (NPS 3)
414040D6F03	ZA3-0063	DN 100 (NPS 4)

DISCONTINUED

DISCONTINUED

VCIOM-02666-EN © 2017, 2021 Emerson Electric Co. All rights reserved 06/21. Neotecha is a mark owned by one of the companies in the Emerson Automation Solutions business unit of Emerson Electric Co. The Emerson logo is a trademark and service mark of Emerson Electric Co. All other marks are the property of their prospective owners.

The contents of this publication are presented for informational purposes only, and while every effort has been made to ensure their accuracy, they are not to be construed as warranties or guarantees, express or implied, regarding the products or services described herein or their use or applicability. All sales are governed by our terms and conditions, which are available upon request. We reserve the right to modify or improve the designs or specifications of such products at any time without notice.

Emerson Electric Co. does not assume responsibility for the selection, use or maintenance of any product. Responsibility for proper selection, use and maintenance of any Emerson Electric Co. product remains solely with the purchaser.

Emerson.com/FinalControl