

# KTM™ Series EF1 Floating Ball Valves

A single global valve solution for split body, two-piece, flanged process ball valves

We're always looking for ways to make it simpler for customers to do business with Emerson. As part of this mission, from February 8, 2021, Emerson will consolidate its range of split body, two-piece, flanged process ball valves into a single product platform. Emerson's range of EF190, EF190F and EF190FE valves will be consolidated under the KTM Series EF1.

The KTM Series EF1 will complement the KTM Series EB1, Series E01 and Series PDS product lines to form Emerson's comprehensive portfolio of leading process ball valve solutions.

As Emerson consolidates its split body, two-piece, flanged process ball valve product lines under the KTM Series EF1, this new product platform will also replace the K-Ball Figure 190/190F and as such, this product will be discontinued effective February 8, 2021.

Information can be found on the following pages to assist customers transitioning from the K-Ball Figure 190/190F to the new KTM Series EF1 platform product.

For our customers, the KTM Series EF1 product platform is configurable with the majority of material and certification options that were available for the KTM EF190, EF190F, EF190FE and K-Ball Figure 190 and 190F product lines.



## What is not changing:

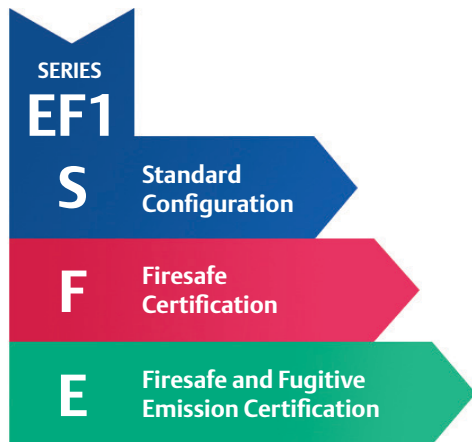
- Our rigorous manufacturing, quality standards and expert support.
- Material options – the majority of materials and options previously available for the EF190, EF190F, EF190FE and K-Ball Figure 190 and 190F are available for the KTM Series EF1.
- Compliance – firesafe and fugitive emissions certification is available for the KTM Series EF1.

## What is changing:

- The EF190, EF190F and EF190FE will be consolidated under the KTM Series EF1 as the single product platform.
- As part of this consolidation, K-Ball Figure 190 and 190F ball valves will be discontinued from February 8, 2021.
- Customers should note the difference in mounting plate design between the discontinued K-Ball Figure 190 and 190F, and the new KTM Series EF1 (see page 4).

**KTM™**

## The KTM™ Series EF1 Platform



Now customers will have a simple way to think about their two piece, split body flanged process ball valve solutions. We've consolidated the EF190, EF190F, EF190FE, F190 and F190F complementary product lines under a one platform, named the KTM Series EF1. The full range of configurations for this platform product can now be specified with a single model code that captures the majority of material options and certifications available under the previous product lines.

Customers will now find a consistent naming convention across the product platform for an intuitive way to order and understand the valve configuration to meet their specific application. For the full list of KTM Series EF1 model code options, please consult the product technical data sheet (VCTDS-04534).

## The KTM Process Ball Valve Portfolio

The consolidation of Emerson's two piece process ball valves under the Series EF1 completes the simplification of Emerson's KTM process ball valve portfolio. A simplified portfolio to address your complete range of process isolation applications.



### KTM Series EF1 Process Floating Ball Valves

High performance two piece floating ball valves in standard, fire safe and fugitive emission compliant configurations as the primary DIN specification offering.

**Size:** DN 15 - 300  
NPS ½ - 12  
**Pressure:** PN 10, 16, 25, 40  
ASME 150, 300  
**Temp.:** -29°C to 260°C  
-20°F to 500°F  
**Seat Options:** Soft seat only



### KTM Series EB1 Process Floating Ball Valves

Next generation ball valves with LOW-E fugitive emission certification, cavity relieving seats, ease of automation and various material options for extreme temperatures.

**Size:** DN 15 - 200 FB  
DN 150 - 250 RB  
NPS ½ - 8 FB  
NPS 6 - 10 RB  
**Pressure:** ASME 150, 300  
JIS 10K, 20K  
**Temp.:** -196°C to 500°C  
-320°F to 932°F  
**Seat Options:** Soft, GRATITE® and METALTITE® seats



### KTM Series E01 Trunnion Mounted Ball Valves

High performance trunnion mounted ball valves for process applications including refining, petrochemical, chemical, pulp and paper and other process applications.

**Size:** DN 50 - 600 FB  
DN 80 - 500 RB  
NPS 2 - 24 FB  
NPS 3 - 20 RB  
**Pressure:** ASME 150, 300, 600, 900, 1500  
**Temp.:** -196°C to 500°C  
-320°F to 932°F  
**Seat Options:** Soft and METALTITE® seats



### KTM Series PDS Powder Discharge Service Ball Valves

A solution for powder handling applications, suitable for high speed and high frequency polyethylene (PE) and polypropylene (PP) processing applications.

**Size:** DN 15 - 350  
NPS ½ - 14  
**Pressure:** ASME 150, 300, 600  
**Temp.:** -46°C to 180°C  
-50°F to 356°F  
**Seat Options:** METALTITE® seat only

## K-Ball™ Figure 190/190F Ball Valve – Discontinuation

The consolidation of Emerson’s split body, two-piece, flanged process ball valve product lines under the **KTM Series EF1** means that the **K-Ball Figure 190/190F** will be discontinued. There is significant overlap in between these product lines and as such, customers currently ordering the K-Ball Figure 190/190F will be well-served by the new KTM Series EF1 platform product. These similarities are summarized in the table below.

The one key difference for customers to note when transitioning from the K-Ball Figure 190/190F to the KTM Series EF1 is the top flange design. These dimensional differences are outlined on page 4.



Model Comparison	K-Ball Figure 190/F	KTM Series EF1
Brand	K-Ball	KTM
Variants:		
Standard	Yes	Yes
Firesafe to API 607	Yes	Yes
Fugitive Emissions Compliant	No	Yes
Male Centering Top Flange	No	Yes
End Connections:		
ASME Class 150 / 300	Yes	Yes
DIN PN 10 / 16 / 25 / 40	Yes	Yes
JIS 10K / 20K	Yes	No
Fire Tested & Certified to API 607 7th Edition	Yes	Yes
Patented SEALMASTER Stem Arrangement	Yes	Yes
Seat Options:		
PTFE	Yes	Yes
RPTFE	Yes	Yes
25% Carbon Filled PTFE	Yes	Yes
50% S/S Filled PTFE	Yes	Yes
UHMWPE	Yes	No
PEEK (ARLON 1330)	Yes	Yes
PTFE / PFA Co-polymer	Yes	No
PED / CE Marking	Yes	Yes
SIL Certification (self certification)	Yes	Yes

As the **K-Ball Figure 190/190F** ball valve begins its planned phase-out, for orders, quotations and support this means:

### Current K-Ball

#### Figure 190/190F Orders

All current orders for Figure 190/190F valves and spare parts placed on Emerson will be executed and supplied accordingly.

### Open Quotations and Future Enquiries

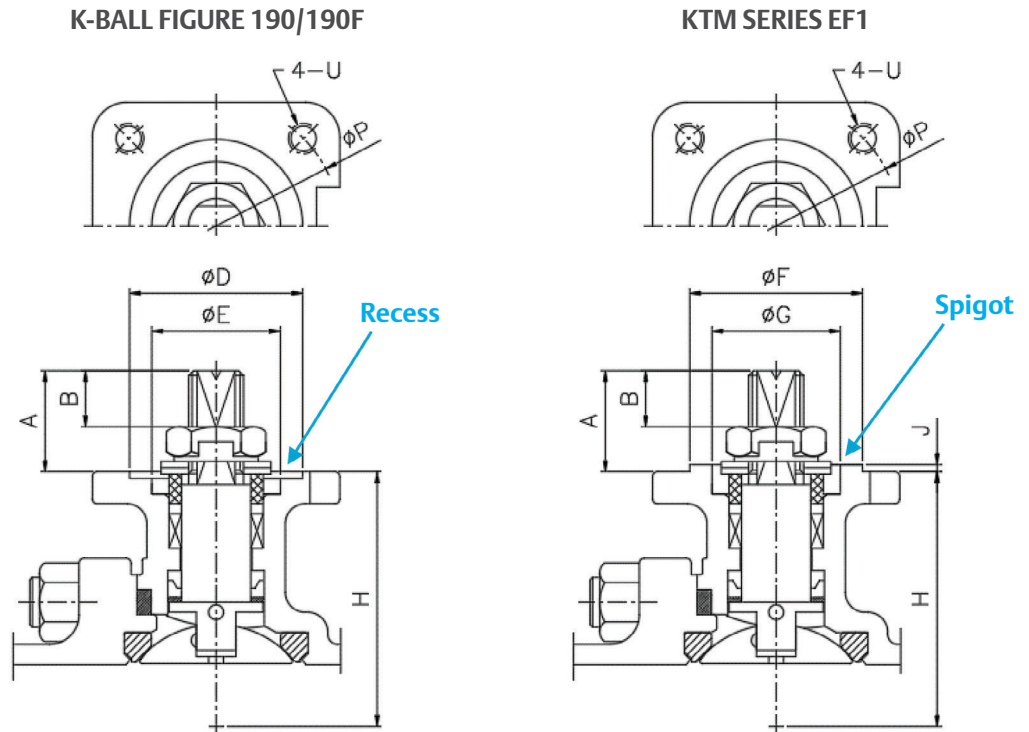
Current Figure 190/190F quotations will be converted to KTM Series EF1 where possible. New enquiries will be offered the equivalent KTM Series EF1 configuration.

### Spare Parts, Service and Support

Spare parts for the new KTM Series EF1 are interchangeable with K-Ball Figure 190/190F valves and customers can continue to expect the same expert service and support from Emerson.

## K-Ball™ Figure 190/190F to KTM™ Series EF1 – Key Difference

For customers transitioning from the K-Ball Figure 190 and Figure 190F to the KTM Series EF1 ball valve, there is one key difference to note regarding the mounting plate. The KTM Series EF1 floating ball valve features a spigot mounting plate design, whereas the K-Ball Figure 190/190F featured a recess. The resulting dimensional differences are outlined in the table below. All other components and key dimensions remain the same.



### DIMENSIONS (mm)

SIZE DN (NPS)	Dimensions in Common					Figure 190 (Recess)		Series EF1 (Spigot)		
	ISO 5211	U	A	B	H	D	E	F	G	J
15 (½)	F04	M5	20.3	12.0	38.5	30.0	22.0	30.0	22.0	2.0
20 (¾)	F04	M5	20.5	12.4	42.0	30.0	22.0	30.0	22.0	2.0
25 (1)	F05	M6	21.6	14.0	51.5	35.0	26.0	35.0	26.0	3.0
32 (1¼)	F05	M6	21.6	14.0	56.2	35.5	26.0	35.0	26.0	3.0
40 (1½)	F07	M8	26.0	16.2	65.5	48.0	33.0	55.0	35.0	3.0
50 (2)	F07	M8	26.0	16.2	74.5	48.0	33.0	55.0	35.0	3.0
65 (2½)	F10	M10	43.0	24.7	88.0	68.0	48.0	70.0	48.0	3.0
80 (3)	F10	M10	43.5	25.2	101.0	68.0	48.0	70.0	48.0	3.0
100 (4)	F10	M10	49.0	30.0	121.5	68.0	57.0	70.0	57.0	3.0
125 (5)	F10	M10	53.6	33.0	139.5	-	-	70.0	-	3.0
150 (6)	F12	M12	65.0	39.0	167.0	-	-	85.0	-	3.0
200 (8)	F12	M12	65.0	39.0	202.5	-	-	85.0	-	3.0
250 (10)	F14	M16	83.5	52.0	262.5	-	-	100.0	-	4.0
300 (12)	F14	M16	83.5	52.0	305.0	-	-	100.0	-	4.0

Emerson is mindful that this transition must be seamless for our customers. If you have questions or concerns regarding any potential impact, contact your local Emerson representative for more information.

© 2020 Emerson Electric Co. All rights reserved.

Neither Emerson, Emerson Automation Solutions, nor any of their affiliated entities assumes responsibility for the selection, use or maintenance of any product. Responsibility for proper selection, use, and maintenance of any product remains solely with the purchaser and end user.

KTM and Virgo are marks owned by one of the companies in the Emerson Automation Solutions business unit of Emerson Electric Co. Emerson Automation Solutions, Emerson and the Emerson logo are trademarks and service marks of Emerson Electric Co. All other marks are the property of their respective owners.

The contents of this publication are presented for informational purposes only, and while every effort has been made to ensure their accuracy, they are not to be construed as warranties or guarantees, express or implied, regarding the products or services described herein or their use or applicability. All sales are governed by our terms and conditions, which are available upon request. We reserve the right to modify or improve the designs or specifications of such products at any time without notice.

VCREP-14941-EN 21/01

