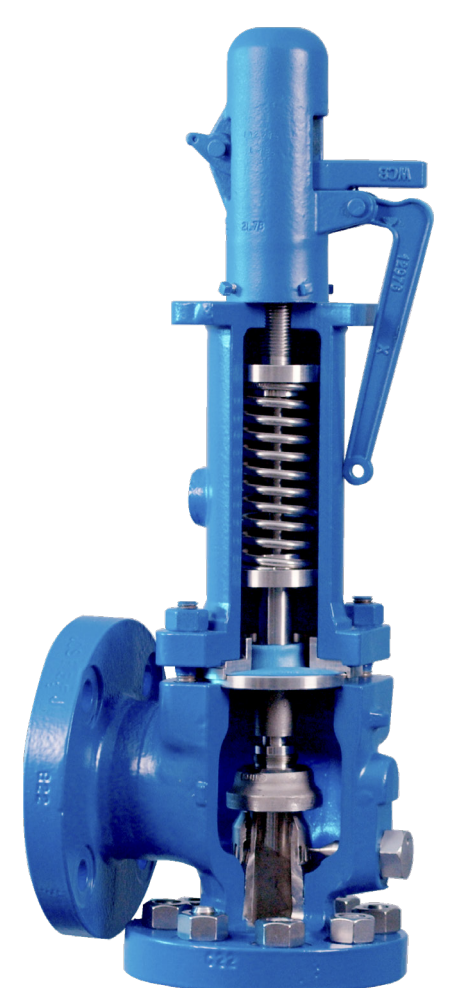
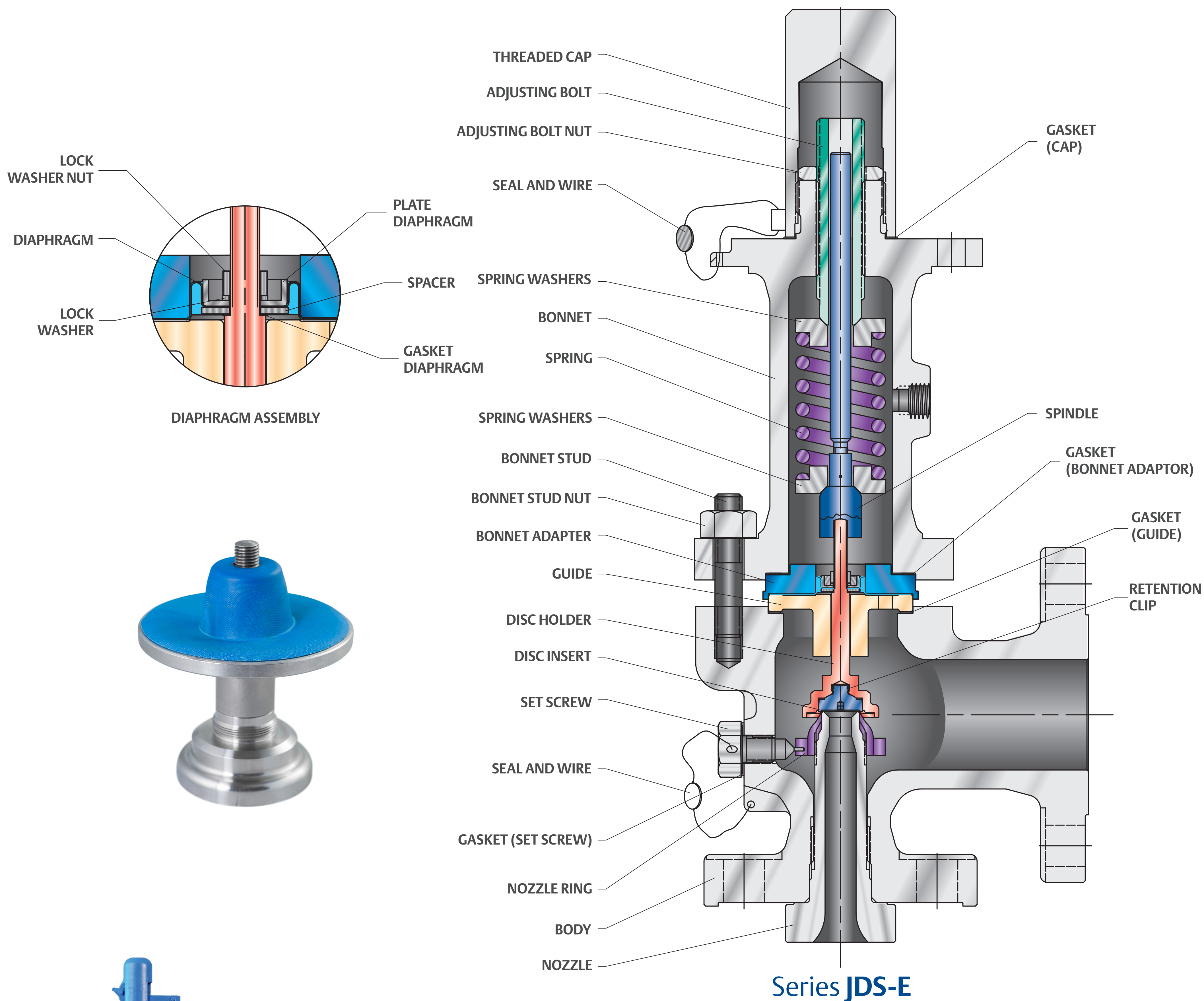


## CROSBY™

### Series JDS-E and JLT JDS-E Balanced Diaphragm Spring Loaded Pressure Relief Valves



Series JDS-E

## Crosby™ Series JDS-E and JLT JDS-E Balanced Diaphragm Pressure Relief Valves

- 20% greater back pressure handling improves reliability during back pressure surges
- 15% improvement in Kb factor enables sizing of smaller and/or fewer valves
- 100x more resilient than metal bellows for high-frequency cycling
- Same springs as JOS valves reducing spare parts and inventory costs
- Cycle, burst, and fire tested and independently witnessed by Lloyd's Register
- Easily convert existing Crosby J-Series with Balanced Diaphragm upgrade kits