

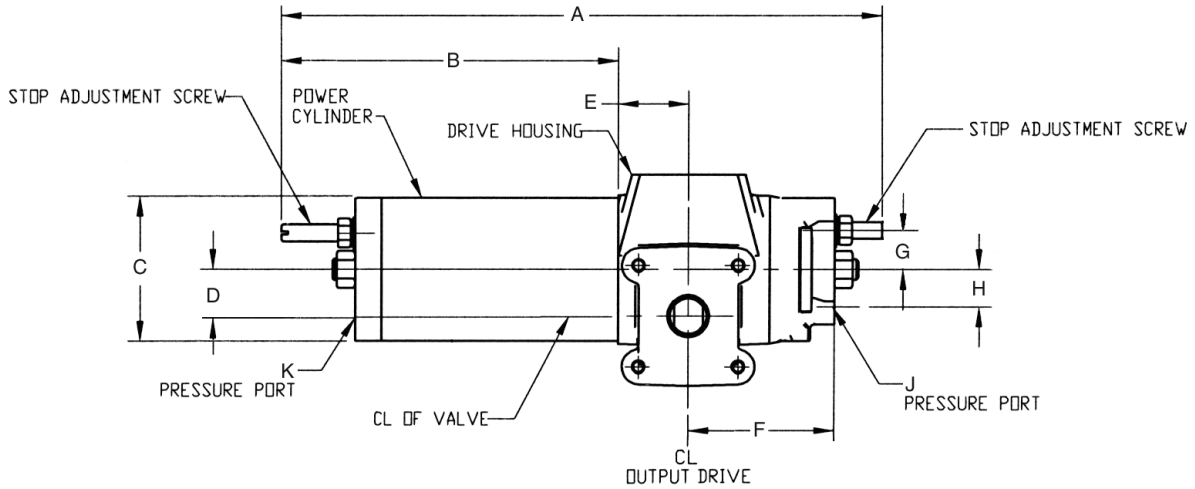
# Data sheet

Sheet No.: CPM 3.01 Rev. A  
Date: August 2010

CBA-Series

## Dimensions – (Pneumatic) mm.

### Double-Acting Actuators CBAXXX



Actuator Model	A	B	C	D	E	F	G	H	J/K	L	M	N
CBA315	359.8	187.5	82.6	27.8	47.8	87.8	23.8	23.9	1/4" NPT	.313-18 UNC	9.7	57.2
CBA420	417.3	217.6	108.0	34.9	54.1	111.0	27.9	27.9	3/8" NPT	.375-16 UNC	12.7	76.2
CBA520	418.1	219.2	136.7	34.9	53.5	111.0	27.9	27.9	3/8" NPT	.375-16 UNC	12.7	76.2
CBA520	488.1	250.9	136.7	42.9	65.0	127.0	31.8	28.4	3/8" NPT	.500-13 UNC	12.7	88.9
CBA725	492.7	260.1	190.5	42.9	64.2	127.0	31.8	28.4	3/8" NPT	.500-13 UNC	12.7	88.9

Actuator Model	P	Q	R	S	T	U	V	W	X	Y	Z	AA
CBA315	.313-18 UNC	28.6	73.8	147.6	19.1	56.4	131.5	15.6 15.73	26.2	95.3	27.8	22.15 22.25
CBA420	.375-16 UNC	38.1	85.1	169.9	19.1	71.3	158.9	22.09 21.09	26.2	117.5	35.1	28.5 28.6
CBA520	.375-16 UNC	38.1	85.1	169.9	19.1	71.3	158.9	22.09 21.09	26.2	117.5	35.1	28.5 28.6
CBA520	.500-13 UNC	44.5	111.1	222.3	28.4	88.9	192.6	28.33 24.47	38.1	146.1	42.9	38.02 38.12
CBA725	.500-13 UNC	44.5	111.1	222.3	28.4	88.9	192.6	28.32 28.48	38.1	146.1	42.9	38.02 38.12

Note: Not Certified dimensional drawings. Such drawings available on request.  
Contact factory with correct model designation and serial number.  
All dimensions are expressed in millimeters.

**BETTIS**™

**EMERSON**™

Copyright © Emerson. The information in this document is subject to change without notice. Updated data sheets can be obtained from our website [www.emerson.com/bettis](http://www.emerson.com/bettis) or from your Emerson Automation Solutions - Actuation Technologies Center:  
America's: +1 281 477 4100 Europe: +36 22 53 0950 Asia/Pacific: +65 67 77 8211 Middle East: +971 4 811 810

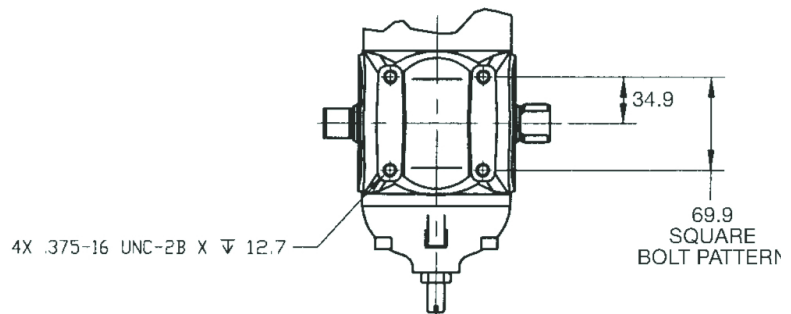
# Data sheet

Sheet No.: CPM 3.02 Rev. A  
Date: August 2010

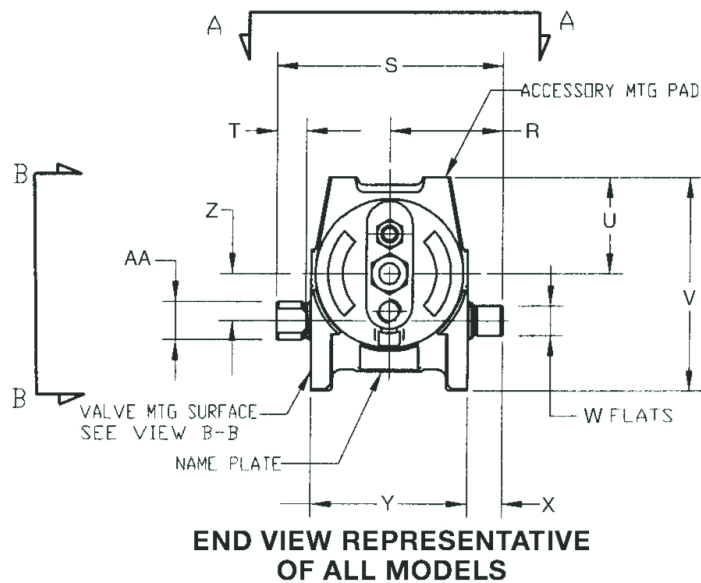
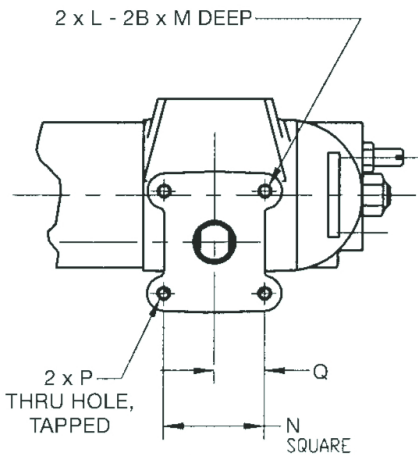
# CBA-Series

## Dimensions – (Pneumatic) mm.

Double-Acting Actuators  
CBAXXX (cont.)



ACTUATORS SHOWN ROTATED  
TO FULL CLOCKWISE POSITION



Note: Not Certified dimensional drawings. Such drawings available on request.  
Contact factory with correct model designation and serial number.  
All dimensions are expressed in millimeters.

## BETTIS™

Copyright © Emerson. The information in this document is subject to change without notice. Updated data sheets can be obtained from our website [www.emerson.com/bettis](http://www.emerson.com/bettis) or from your Emerson Automation Solutions - Actuation Technologies Center:  
America's: +1 281 477 4100 Europe: +36 22 53 0950 Asia/Pacific: +65 67 77 8211 Middle East: +971 4 811 810

## EMERSON™

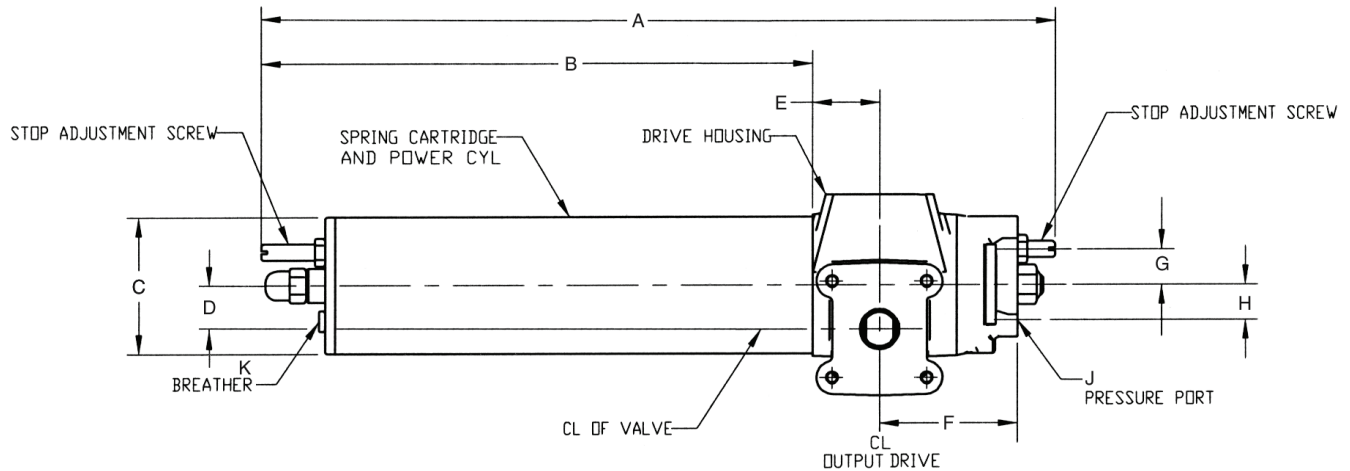
# Data sheet

Sheet No.: CPM 3.03 Rev. A  
Date: August 2010

CBA-Series

## Dimensions – (Pneumatic) mm.

### Spring-Return Actuators CBA XXX-SRX



Actuator Model	A	B	C	D	E	F	G	H	J/K	L
CBA315-SRX	511.2	347.0	82.6	27.8	47.8	87.8	23.8	23.9	1/4" NPT	.313-18 UNC
CBA415-SRX	513.3	348.2	108.0	27.8	47.8	87.8	23.9	23.9	1/4" NPT	.313-18 UNC
CBA420-SRX	623.3	433.5	108.0	34.9	54.1	111.0	27.9	27.9	3/8" NPT	.375-16 UNC
CBA520-SRX	631.9	442.9	136.7	34.9	52.2	111.0	27.9	27.9	3/8" NPT	.375-16 UNC
CBA525-SRX	716.6	457.4	136.7	42.9	65.0	127.0	31.8	28.4	3/8" NPT	.500-13 UNC
CBA725-SRX	713.6	466.7	190.5	42.9	64.2	127.0	31.8	28.4	3/8" NPT	.500-13 UNC

Actuator Model	M	N	P	Q	R	S	T	U	V	W	X	Y	Z	AA
CBA315-SRX	9.7	57.2	.313-18 UNC	28.6	73.8	147.6	19.1	56.4	131.5	15.6 15.73	26.2	95.3	27.8	22.15 22.25
CBA415-SRX	9.7	57.2	.313-18 UNC	28.6	73.8	147.6	19.1	56.4	131.5	15.59 15.75	26.2	95.3	27.8	22.12 22.22
CBA420-SRX	12.7	76.2	.375-16 UNC	38.1	85.1	169.9	19.1	71.3	158.9	22.09 21.09	26.2	117.5	35.1	28.5 28.6
CBA520-SRX	12.7	76.2	.375-16 UNC	38.1	85.1	169.9	19.1	71.3	158.9	22.09 21.09	26.2	117.5	35.1	28.5 28.6
CBA525-SRX	12.7	88.9	.500-13 UNC	44.5	111.1	222.3	28.4	88.9	192.6	28.33 24.47	38.1	146.1	42.9	38.02 38.12
CBA725-SRX	12.7	88.9	.500-13 UNC	44.5	111.1	222.3	28.4	88.9	192.6	28.32 28.48	38.1	146.1	42.9	38.02 38.12

Note: Not Certified dimensional drawings. Such drawings available on request.  
Contact factory with correct model designation and serial number.  
All dimensions are expressed in millimeters.

**BETTIS™**

**EMERSON™**

Copyright © Emerson. The information in this document is subject to change without notice. Updated data sheets can be obtained from our website [www.emerson.com/bettis](http://www.emerson.com/bettis) or from your Emerson Automation Solutions - Actuation Technologies Center.  
America's: +1 281 477 4100 Europe: +36 22 53 0950 Asia/Pacific: +65 67 77 8211 Middle East: +971 4 811 810

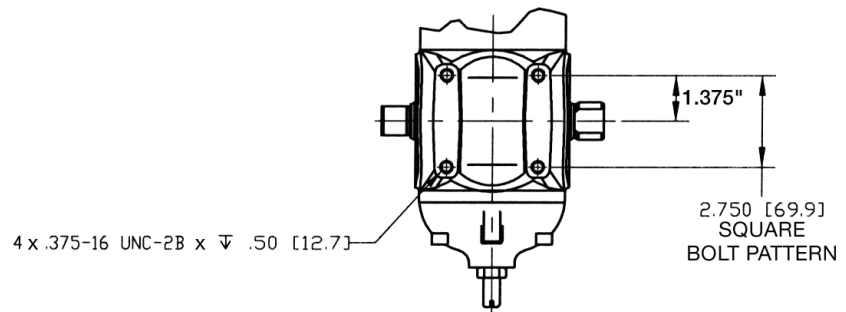
# Data sheet

Sheet No.: CPM 3.04 Rev. A  
Date: August 2010

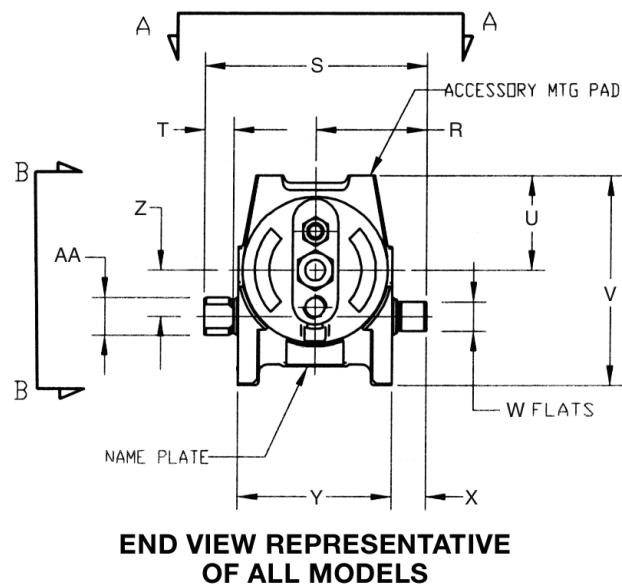
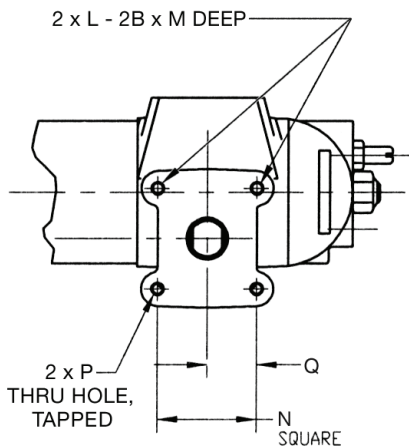
CBA-Series

## Dimensions – (Pneumatic) mm.

Spring-Return Actuators  
CBA XXX-SRX (cont.)



ACTUATORS SHOWN ROTATED  
TO FULL CLOCKWISE POSITION



Note: Not Certified dimensional drawings. Such drawings available on request.  
Contact factory with correct model designation and serial number.  
All dimensions are expressed in millimeters.

**BETTIS™**

Copyright © Emerson. The information in this document is subject to change without notice. Updated data sheets can be obtained from our website [www.emerson.com/bettis](http://www.emerson.com/bettis) or from your Emerson Automation Solutions - Actuation Technologies Center:  
America's: +1 281 477 4100 Europe: +36 22 53 0950 Asia/Pacific: +65 67 77 8211 Middle East: +971 4 811 810

**EMERSON™**

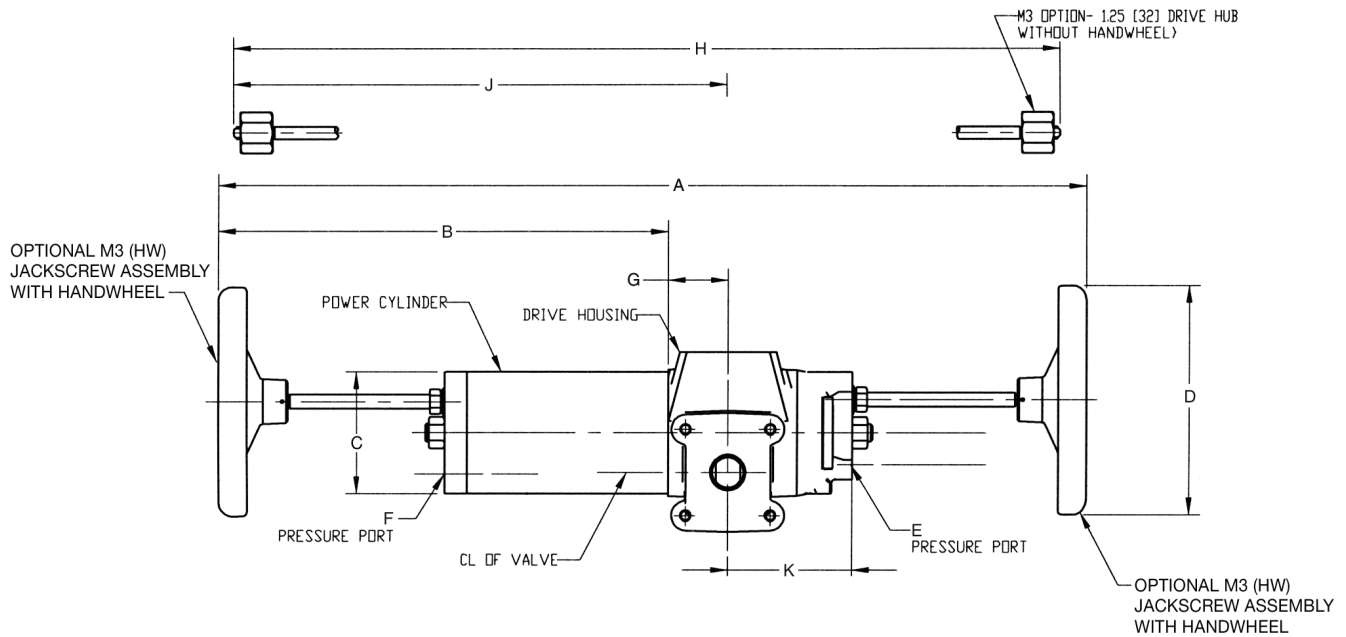
# Data sheet

Sheet No.: CPM 3.05 Rev. A  
Date: August 2010

CBA-Series

## Dimensions – (Pneumatic) mm.

**M3(HW) Override**  
**Double-Acting Actuators**  
**CBA XXX-M3(HW)**



Actuator Model	A	B	C	D	E	F	G	H	J	K
CBA315-M3HW	640.8	365.0	82.6	152.4	1/4" NPT	1/4" NPT	47.6	614.9	365.0	88.2
CBA420-M3HW	776.8	401.8	108.0	203.2	3/8" NPT	3/8" NPT	54.0	739.6	441.1	111.1
CBA520-M3HW	776.8	402.5	133.4	203.2	3/8" NPT	3/8" NPT	53.2	738.0	441.1	111.1
CBA525-M3HW	927.5	480.5	133.4	254.0	3/8" NPT	3/8" NPT	65.0	867.9	515.8	127.0
CBA725-M3HW	930.8	484.6	190.5	254.0	3/8" NPT	3/8" NPT	64.2	867.9	515.8	127.0

Note: Not Certified dimensional drawings. Such drawings available on request.  
Contact factory with correct model designation and serial number.  
All dimensions are expressed in millimeters.

**BETTIS™**

  
**EMERSON™**

Copyright © Emerson. The information in this document is subject to change without notice. Updated data sheets can be obtained from our website [www.emerson.com/bettis](http://www.emerson.com/bettis) or from your Emerson Automation Solutions - Actuation Technologies Center:  
America's: +1 281 477 4100 Europe: +36 22 53 0950 Asia/Pacific: +65 67 77 8211 Middle East: +971 4 811 810

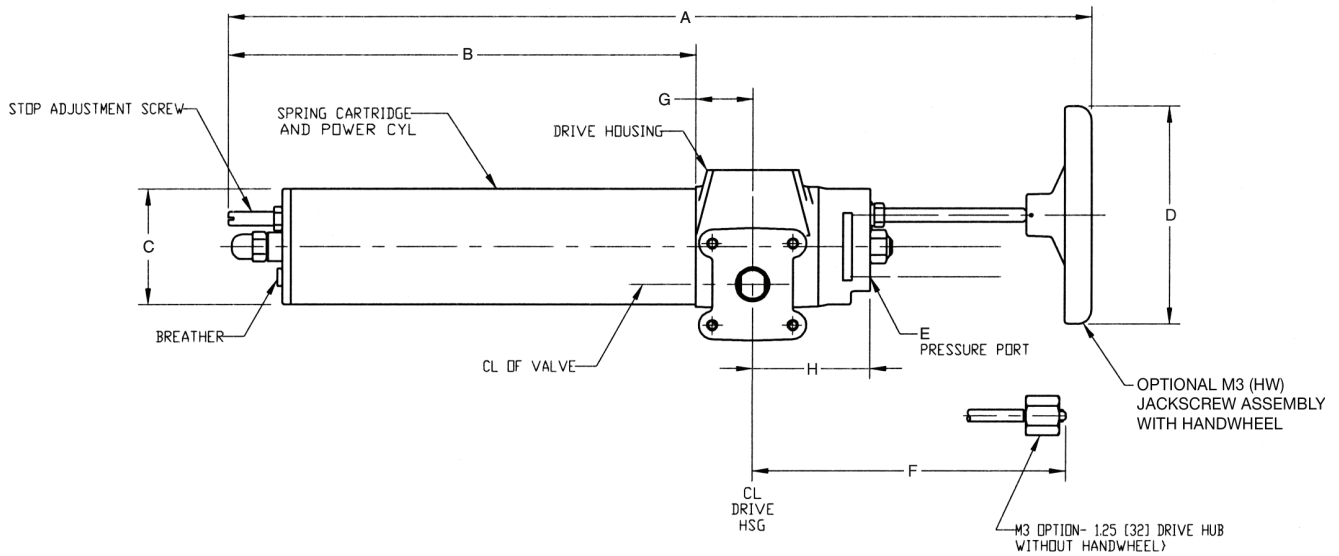
# Data sheet

Sheet No.: CPM 3.06 Rev. A  
 Date: August 2010

CBA-Series

## Dimensions – (Pneumatic) mm.

**M3(HW) Override**  
**Spring-Return Actuators**  
**CBA XXX-SRX-M3**



Actuator Model	A	B	C	D	E	F	G	H
CBA315-SR-M3HW	677.1	366.5	82.6	152.4	1/4" NPT	249.9	47.6	88.2
CBA415-SR-M3HW	679.1	368.6	108.0	152.4	1/4" NPT	249.9	47.6	88.2
CBA420-SR-M3HW	816.2	441.3	108.0	203.2	3/8" NPT	297.0	54.0	111.1
CBA420-SR-M3HW	816.8	442.7	136.7	203.2	3/8" NPT	297.0	53.2	111.1
CBA525-SR-M3HW	937.9	491.0	136.7	254.0	3/8" NPT	351.9	65.0	127.0
CBA725-SR-M3HW	939.2	493.1	190.5	254.0	3/8" NPT	352.1	64.2	127.0

Note: Not Certified dimensional drawings. Such drawings available on request.  
 Contact factory with correct model designation and serial number.  
 All dimensions are expressed in millimeters.

**BETTIS™**

**EMERSON™**

Copyright © Emerson. The information in this document is subject to change without notice. Updated data sheets can be obtained from our website [www.emerson.com/bettis](http://www.emerson.com/bettis) or from your Emerson Automation Solutions - Actuation Technologies Center:  
**America's:** +1 281 477 4100 **Europe:** +36 22 53 0950 **Asia/Pacific:** +65 67 77 8211 **Middle East:** +971 4 811 810