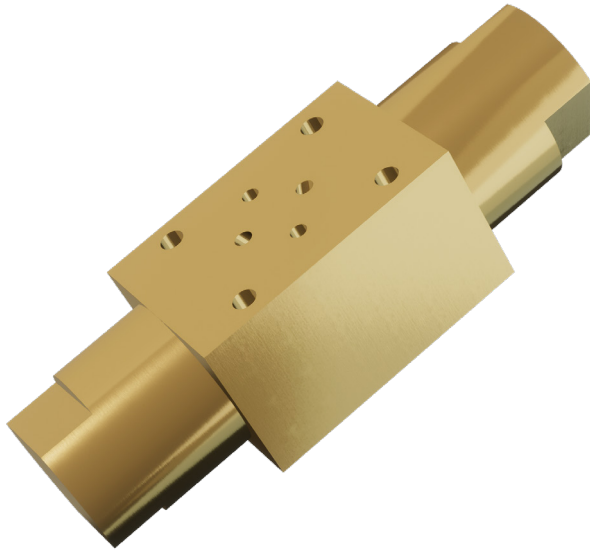


Damcos™ DCFV-3 and SCFV-3

Constant Flow Valves



DCFV-3

Description

When controlling valves with hydraulic actuators, valve speed may be regulated quite accurately by regulating the hydraulic flow.

The Damcos SFCV-3 is designed to control the flow in one direction; opening or closing direction. The Damcos DFCV-3 is designed to control the flow in both opening and closing direction independently, keeping the valve operating speed constant within a broad range of pressure and temperature

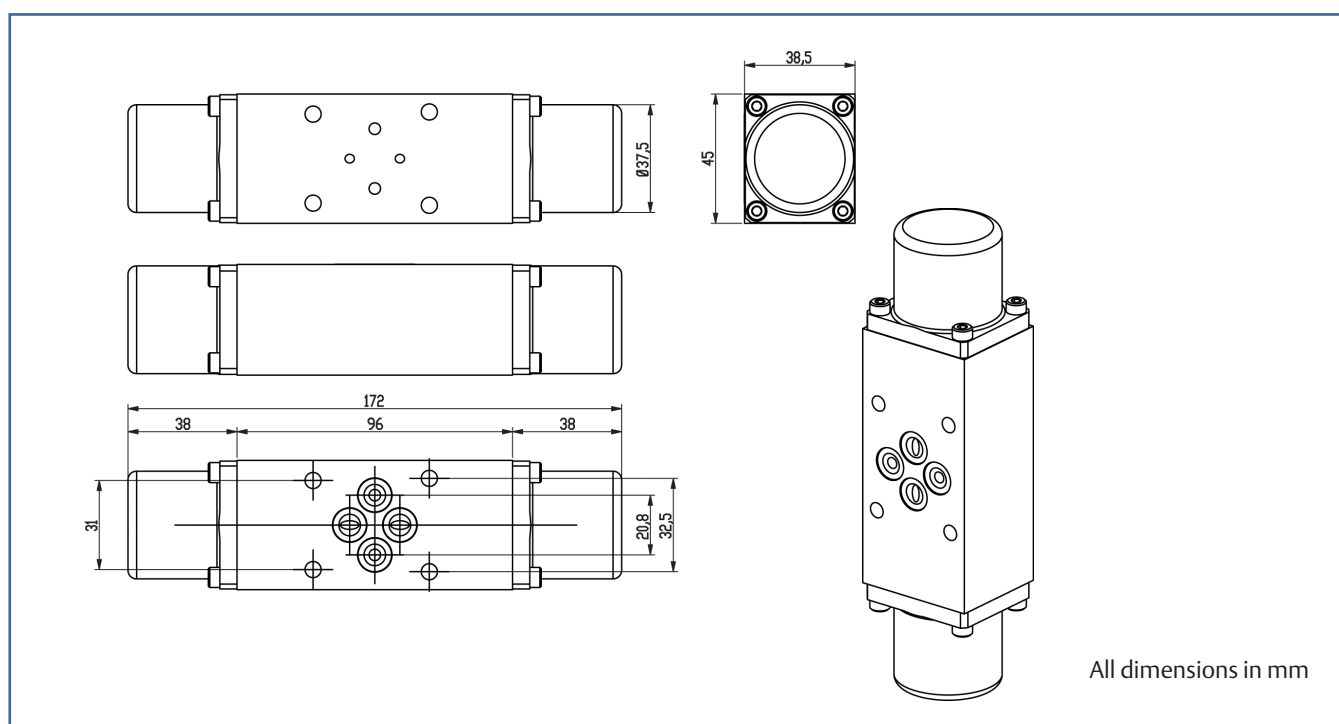
variations and independently of the actuator load. Only for flow less than 0.6 l/min. the valve speed may increase slightly with rising temperature.

The Damcos DFCV-3 is used for double acting valves for flow within range 0.1 - 6 l/min.

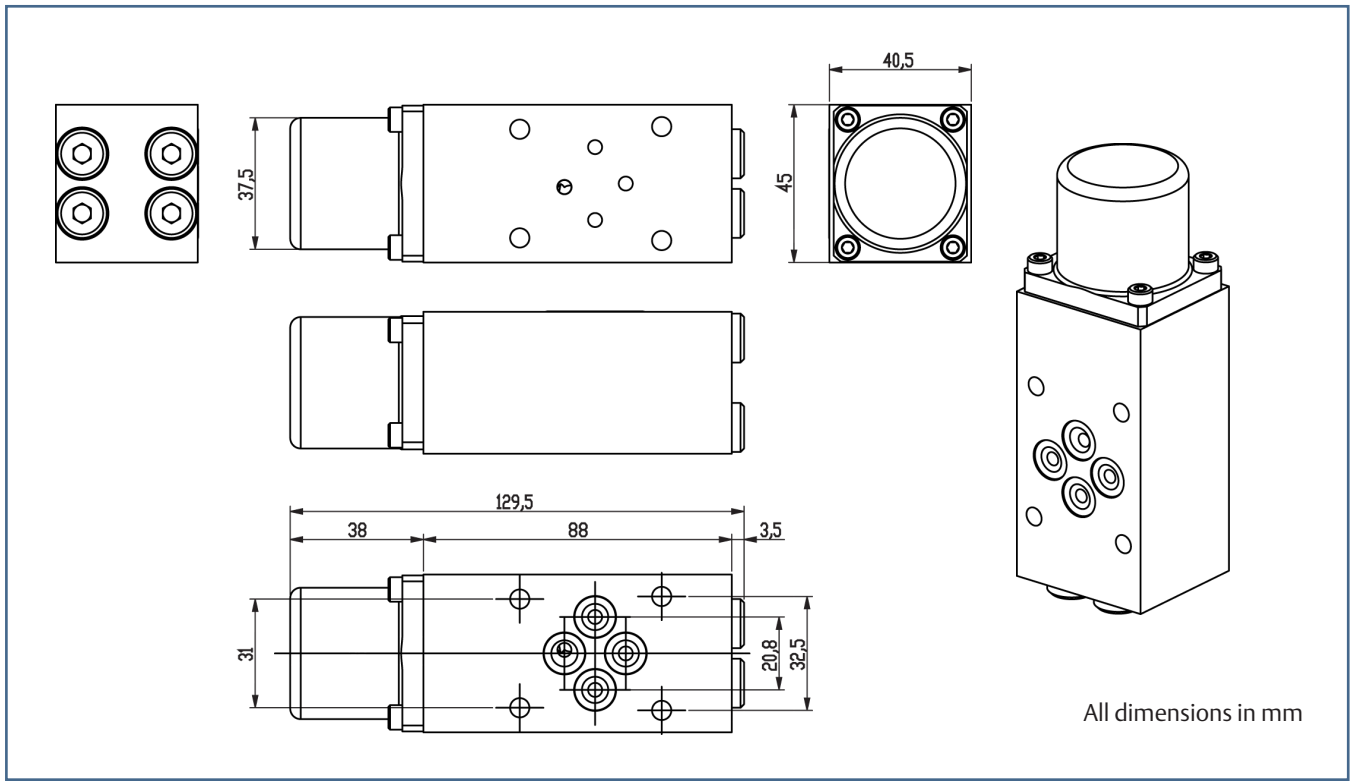
The Damcos SCFV-3 is used for single acting valves for flow within range 0.1 - 6 l/min.

Technical Data	
Oil viscosity	10 - 800 cSt
Temperature range	-20°C to +80°C
Maximum contamination	20/18/15 According to ISO 4406
Maximum pressure	225 bar
Maximum pressure difference	18 bar
Weight	1.9 kg DCFV-3 1.5 kg SCFV-3
Materials	Body of brass
Seals	NBR
Mounting surface	Cetop-3/NG-6

Main Dimensions DCFV-3



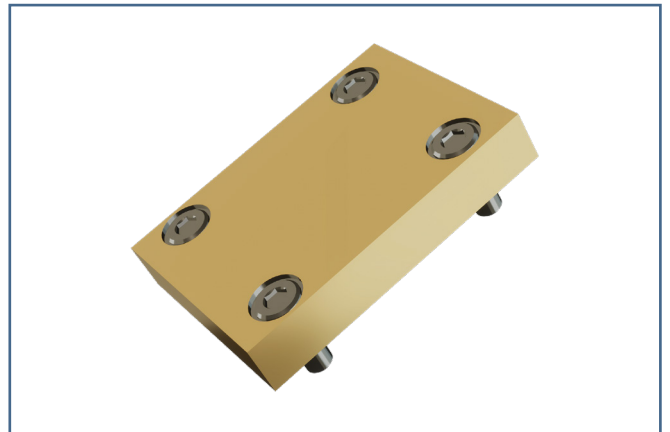
Main Dimensions SCFV-3



Other Products Typical Associated to this Product

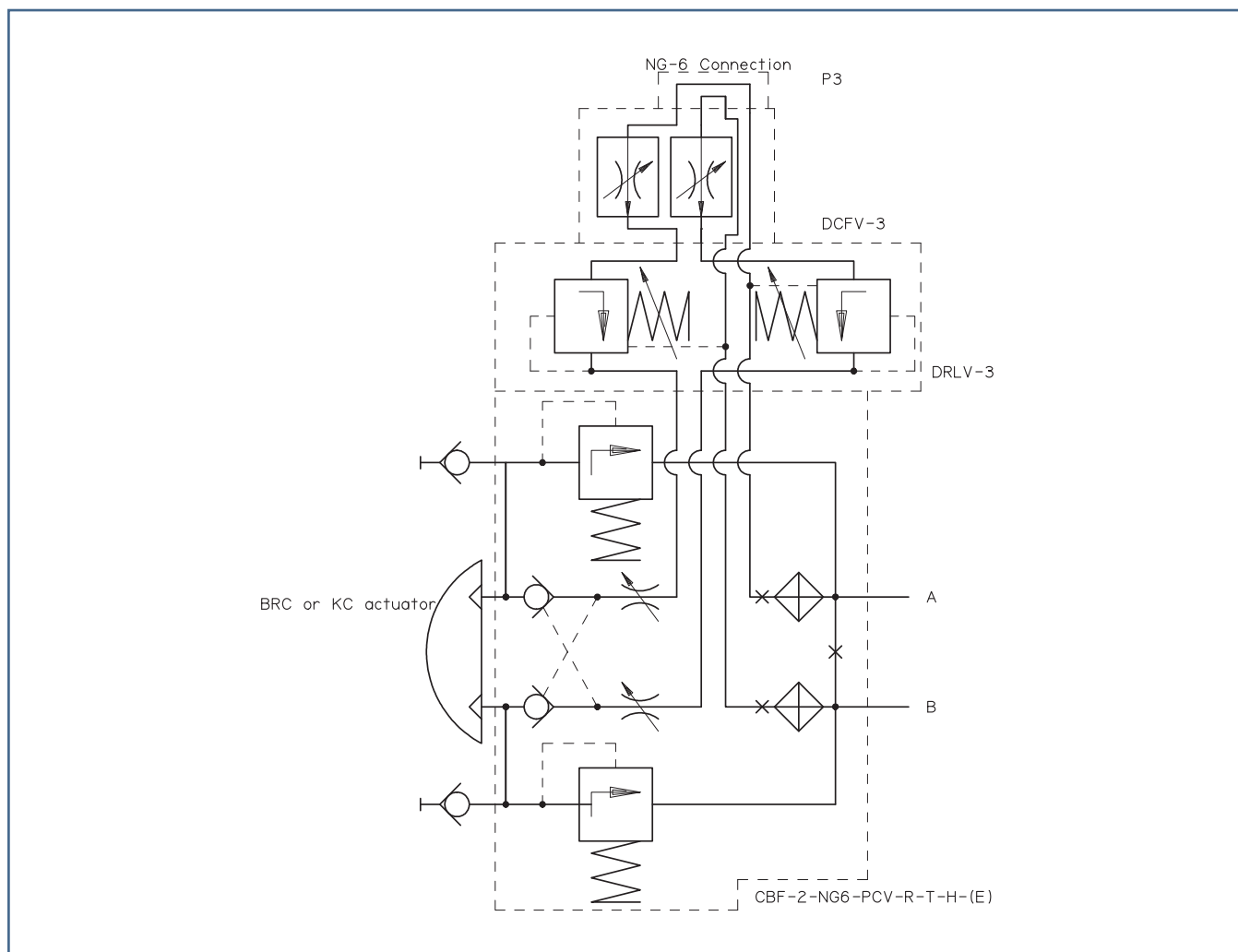


CB NG6 block. For more information see separate data sheet.



P3 (NG-6) connection plate. For more information see separate data sheet.

Application Example



©2020 Emerson. All rights reserved.

The Emerson logo is a trademark and service mark of Emerson Electric Co. Damcos and the Damcos logotype are trademarks of Damcos A/S. Damcos is a member of the Emerson family of companies. All other marks are the property of their respective owners.

Emerson Automation Solutions

Damcos A/S
Aaderupvej 41
DK-4700 Naestved
T +45 5578 7200
F +45 5578 7272

www.Emerson.com/marine

The contents of this publication are presented for information purposes only, and while effort has been made to ensure their accuracy, they are not to be construed as warranties or guarantees, expressed or implied, regarding the products or services described herein or their use or applicability. Standard Terms and Conditions of Sale can be issued by contacting Damcos A/S. We reserve the right to modify or improve the designs and specifications of our products at any time without notice. Damcos A/S accepts no responsibility for any errors that may appear in this publication.