

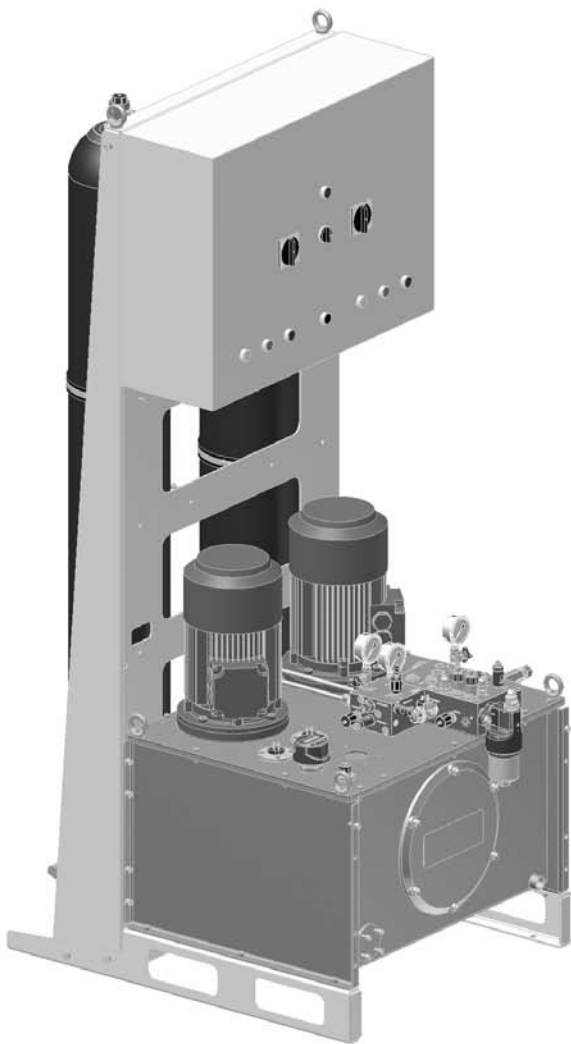
**Product Data Sheet**

SD 6005-2E03

August 2008

# **Damcos® SPU - Model B**

System Power Unit

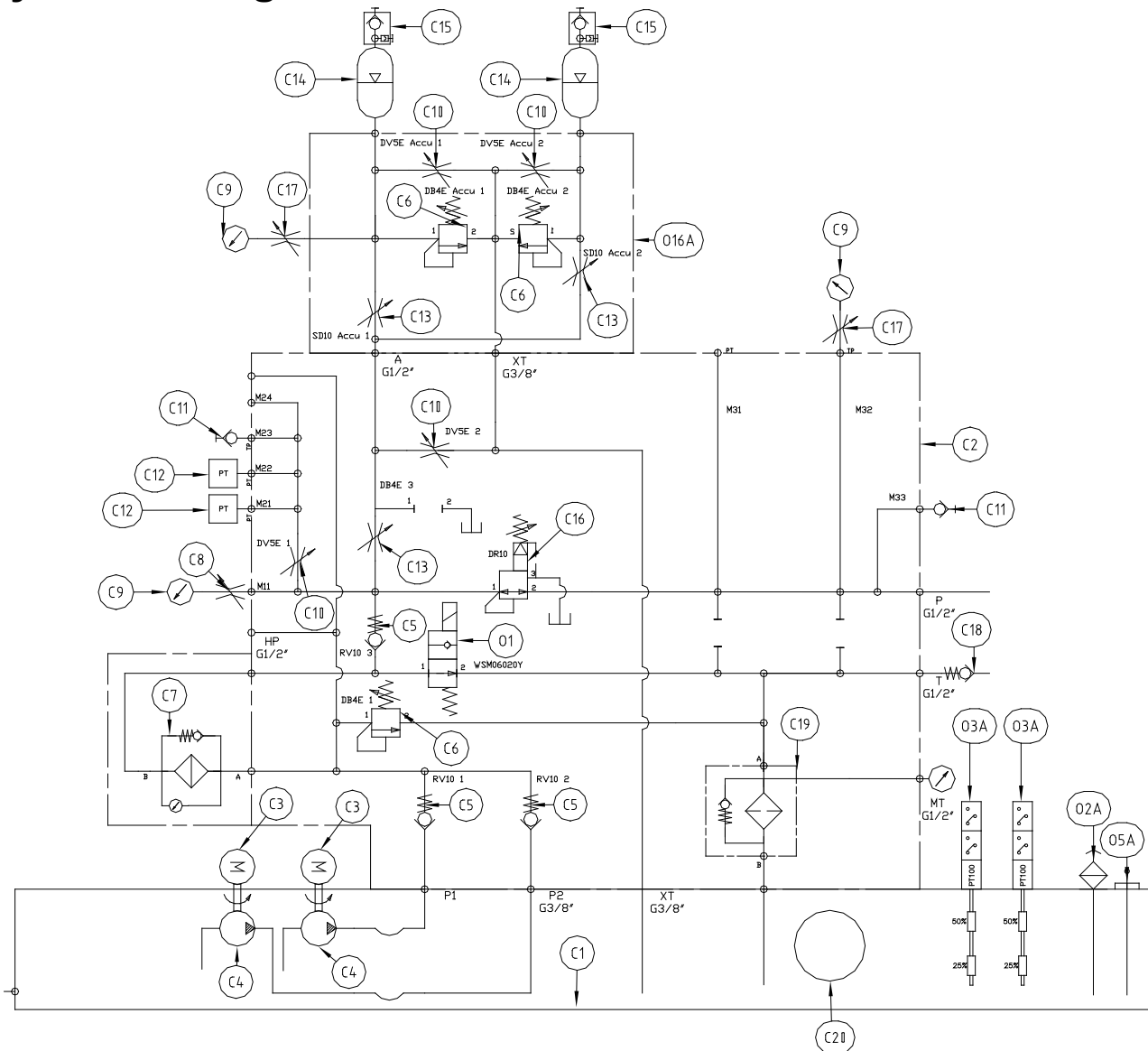


**Damcos®**

  
**EMERSON™**  
Process Management

# Damcos® SPU - Model B

## Hydraulic diagram:



Item	Description	Qty	Item	Description	Qty
C1	Tank	1	O1	Bypass valve WSM06020Y	1
C2	Universal block	1	O2A	Breather filter BF	1
C3	3 phase el motor	2	O3A	Level switch 25%, 50% and PT100	2
C4	Hydraulic pump XV2P	2	O5A	Oil dip stick	1
C5	Check valve RV10A	3	O16A	Accumulator block without backup valve	1
C6	Pressure relief valve DB4E	3			
C7	Pressure filter DF 60	1			
C8	Manometer valve FT291	1			
C9	Manometer E63	3			
C10	Flow control valve DVSE	4			
C11	Test port PF 1/4"	2			
C12	Internal pressure transmitter HDA 4445	2			
C13	Needle valve SD10	3			
C14	Accumulator bladder	2			
C15	Adaptor with burst disc and filling port	2			
C16	Pressure reducing valve w. relief function DR10	1			
C17	Flow control valve FT290	2			
C18	Check valve for tank RV-12	1			
C19	Return filter RFM	1			
C20	Inspection cover	1			

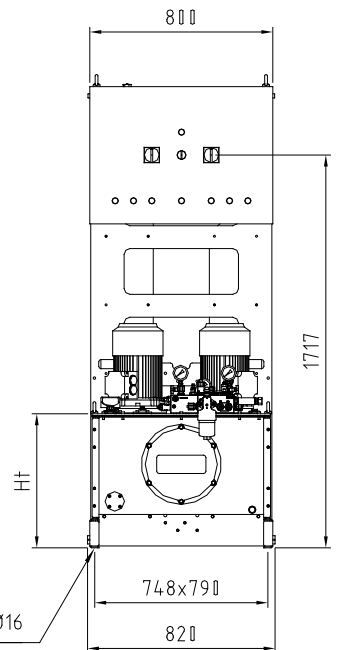
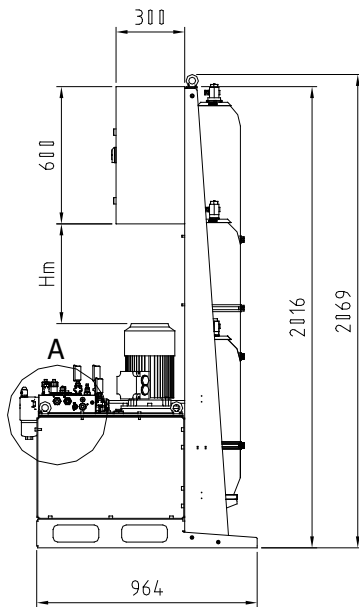
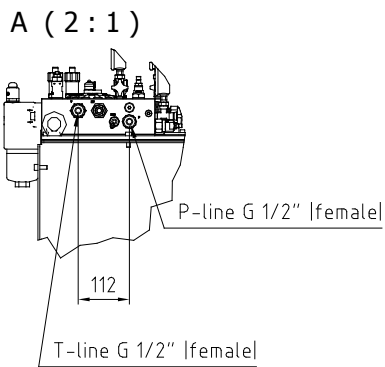
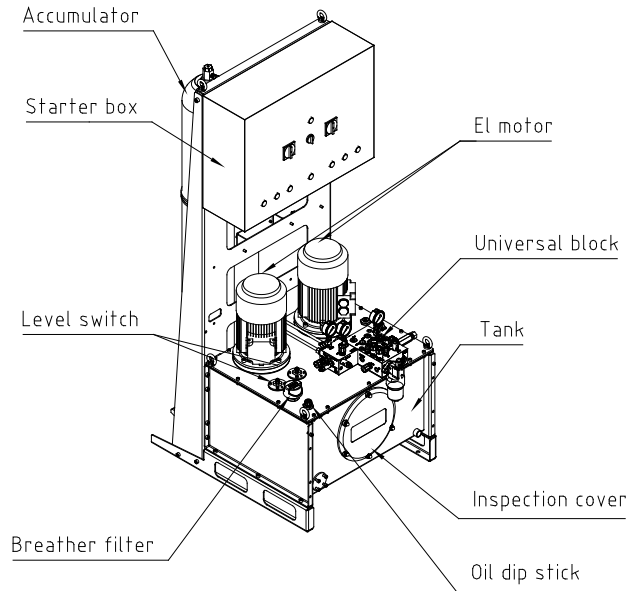
# Product Data Sheet

SD 6005-2E03

August 2008

# Damcos® SPU - Model B

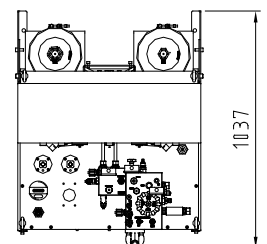
## Dimensions:



Mounting holes 4 pcs Ø16

### Variable dimensions:

Ht:	-100 L: 586
	-200 L: 811
Hm:	-100L04K / P4: 232
	-112M04 / P6: 211
	-112M04V / P9: 211



# Damcos® SPU - Model B

---

The Emerson logo is a trademark and service mark of Emerson Electric Co. Damcos and the Damcos logotype are registered trademarks of Damcos A/S. All rights reserved. The contents of this publication are presented for information purposes only, and while effort has been made to ensure their accuracy, they are not to be construed as warranties or guarantees, expressed or implied, regarding the products or services described herein or their use or applicability. All sales are governed by our terms and conditions, which are available upon request. We reserve the right to modify or improve the designs and specifications of our products at any time without notice. Damcos A/S accepts no responsibility for any errors that may appear in this publication.

**This product is developed and managed by:**  
**Emerson Process Management**

Damcos A/S  
Aaderupvej 41  
DK-4700 Naestved  
T +45 5578 7200  
F +45 5578 7272

**For global contacts:**  
[www.EmersonProcess.com/marine](http://www.EmersonProcess.com/marine)